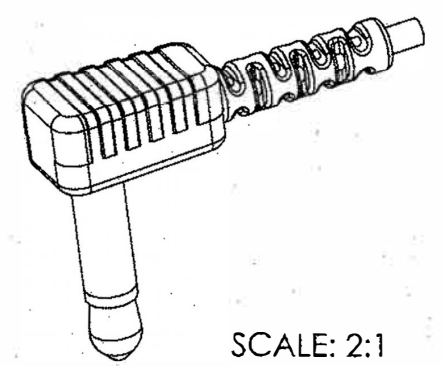
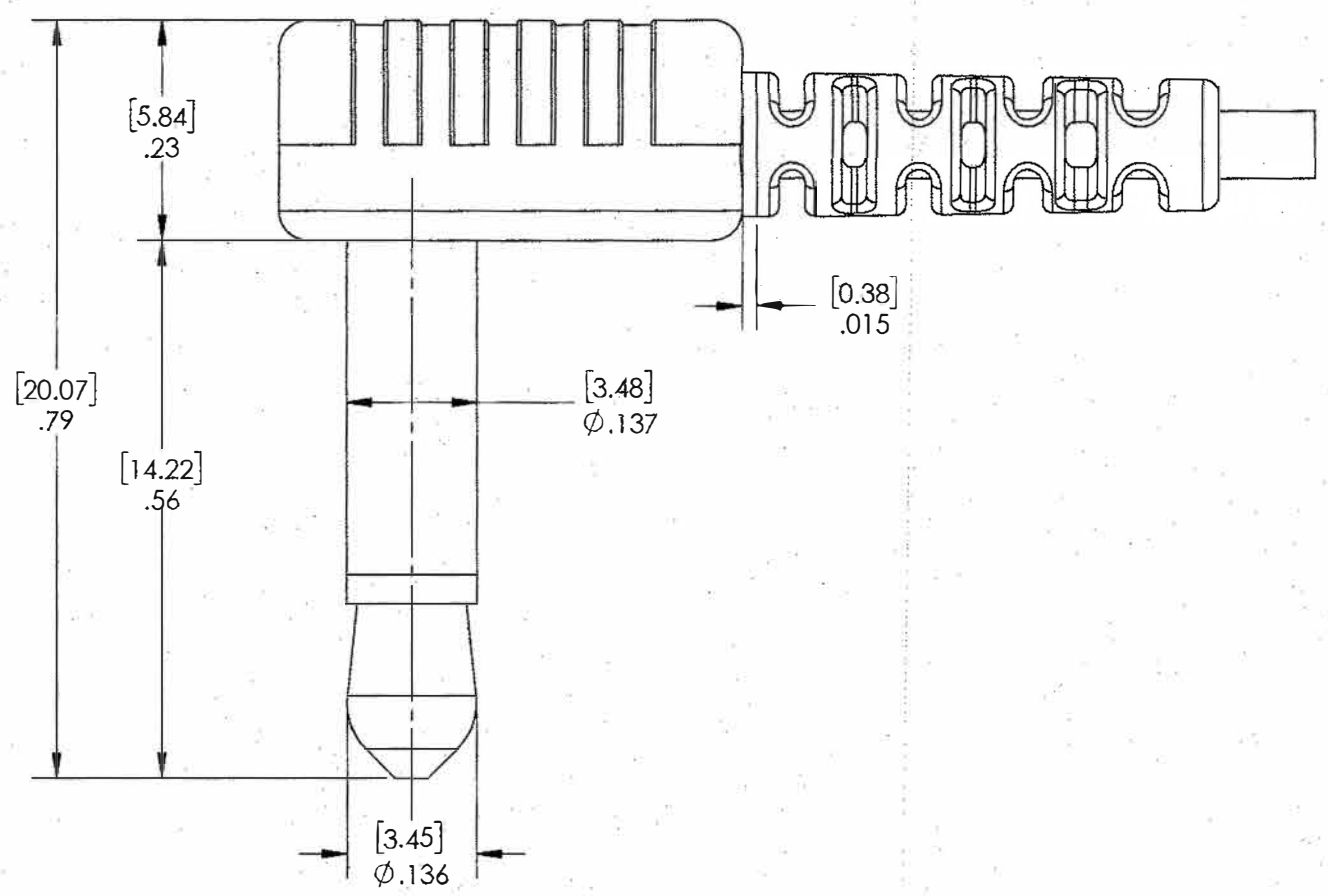
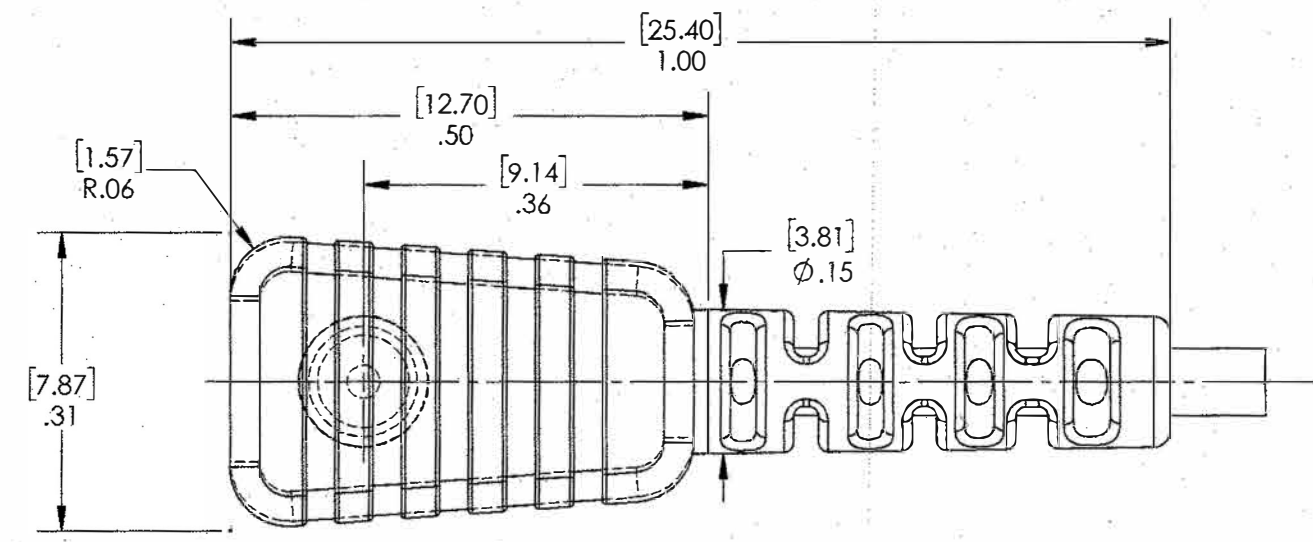


4 | | 3 | | 2 | | 1



SCALE: 2:1

THIS DRAWING CONTAINS CONFIDENTIAL AND PROPRIETARY INFORMATION AND MAY NOT BE ISSUED OR REPRODUCED, IN WHOLE, OR IN PART, WITHOUT THE EXPRESS WRITTEN PERMISSION OF P1 TECHNOLOGIES.

REV	DESCRIPTION	DATE	BY
	REDRAWN IN SOLIDWORKS XZ 1/11/21		
B	REV PER ECO 6515 XZ 6/28/02	7/10/02	XZ
A	REL PER ECO 01155 2/2/96	2/7/96	RS
	REVISIONS		

TOLERANCES UNLESS OTHERWISE SPECIFIED ALL DIMENSIONS IN INCHES DIMENSIONS IN [] METRIC	APPROVALS	DATE	Technologies <small>BECAUSE EVERYTHING CONNECTS</small> 6591 Merriman Road, Roanoke, VA 24018 Phone: 540-772-7950 Fax: 540-989-7519
	DRAWN WDS	7/30/82	
	CHECKED WDS	11/2/21	
	PROJ ENGR		
	APPROVED		TITLE
	<i>K. Spul</i>	11/3/21	PLUG, 216
	PROJECT	FSCM	SCALE 5:1
	SIZE DWG	REV	SHT
	B 2006-50	B	1 OF 1