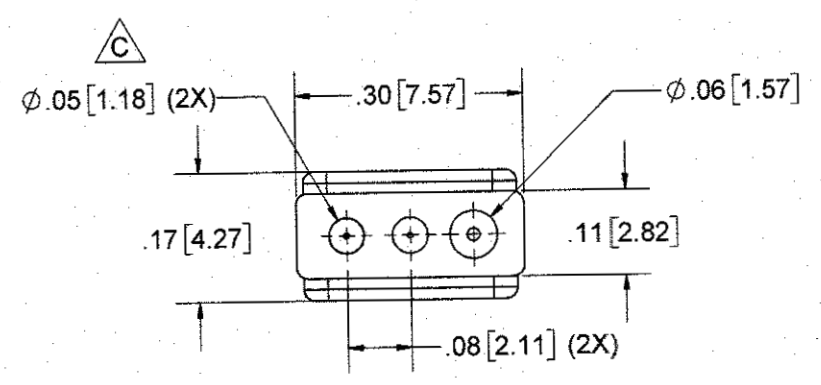
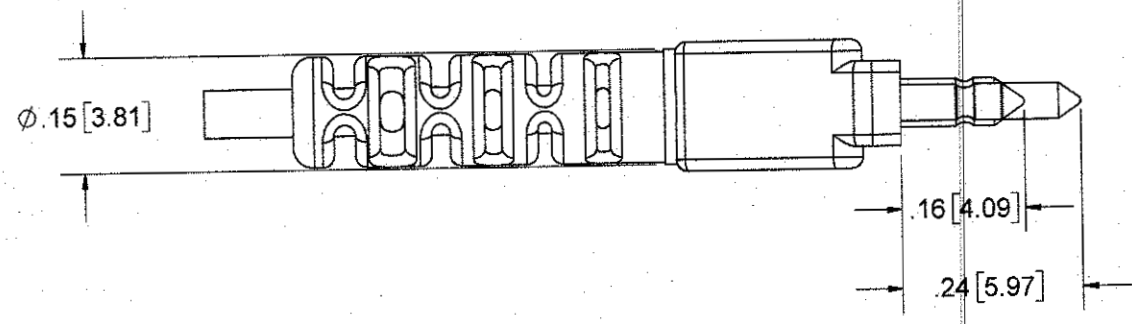
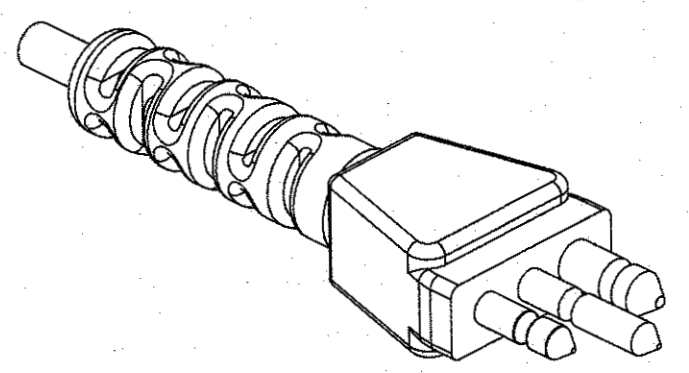
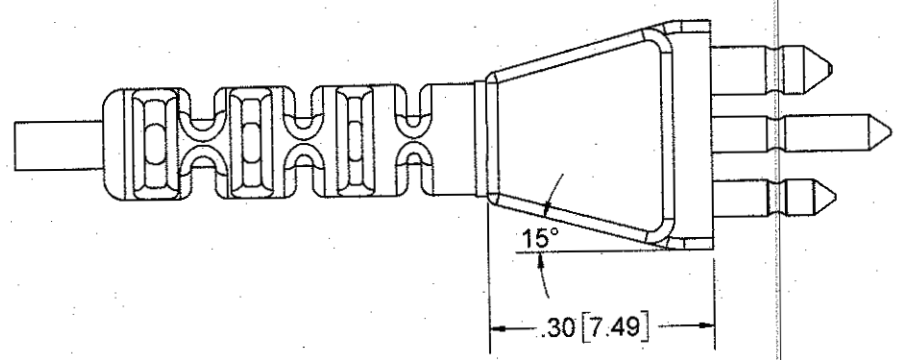


4 | | 3 | | 2 | | 1



THIS DRAWING CONTAINS CONFIDENTIAL AND PROPRIETARY INFORMATION AND MAY NOT BE ISSUED OR REPRODUCED, IN WHOLE, OR IN PART, WITHOUT THE EXPRESS WRITTEN PERMISSION OF P1 TECHNOLOGIES.

REV	DESCRIPTION	DATE	BY
C	REV PER ECO 35297 XZ 12/12/19 REDRAWN IN SOLIDWORKS	1/2/20	RS
B	REV PER ECO 3518 RS 4/20/98	4/22/98	RS
A	REL PER ECO 453 WSC 2/7/94	2/16/94	L.L.
REVISIONS			

TOLERANCES UNLESS OTHERWISE SPECIFIED ALL DIMENSIONS IN INCHES DIMENSIONS IN [] METRIC		APPROVALS	DATE
FRACTIONAL ±1/64		DRAWN WDS	8/20/82
DECIMAL .00 ±.01 [.25mm] .000 ±.005 [.127mm]		CHECKED S. Rendk	12/18/19
ANGULAR ±.5°		APPROVED K. Eganly	12/19/19
		PROJECT	FSCM

P Technologies
BECAUSE EVERYTHING CONNECTS
6591 Merriman Road, Roanoke, VA 24018
Phone: 540-772-7950 Fax: 540-989-7519

TITLE: PLUG, 186
SCALE: 4:1
SIZE: B DWG: 2012-50
REV: C SHT OF: 1