

4

1

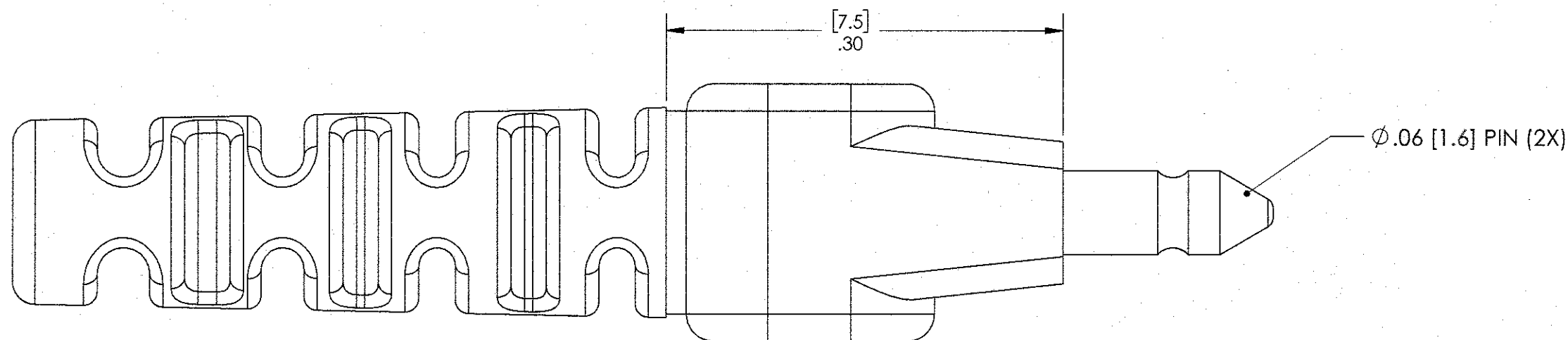
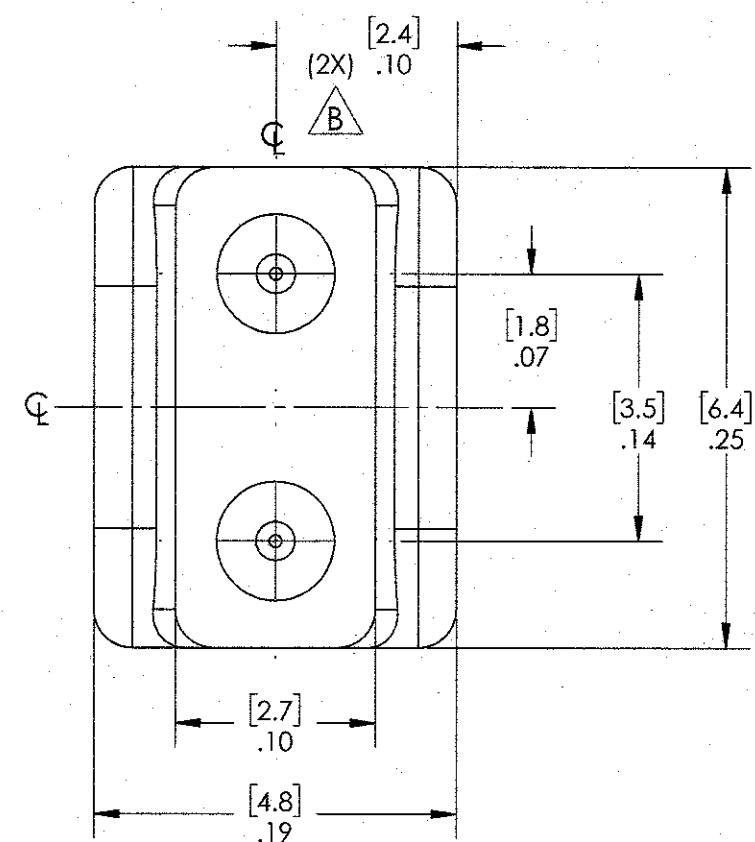
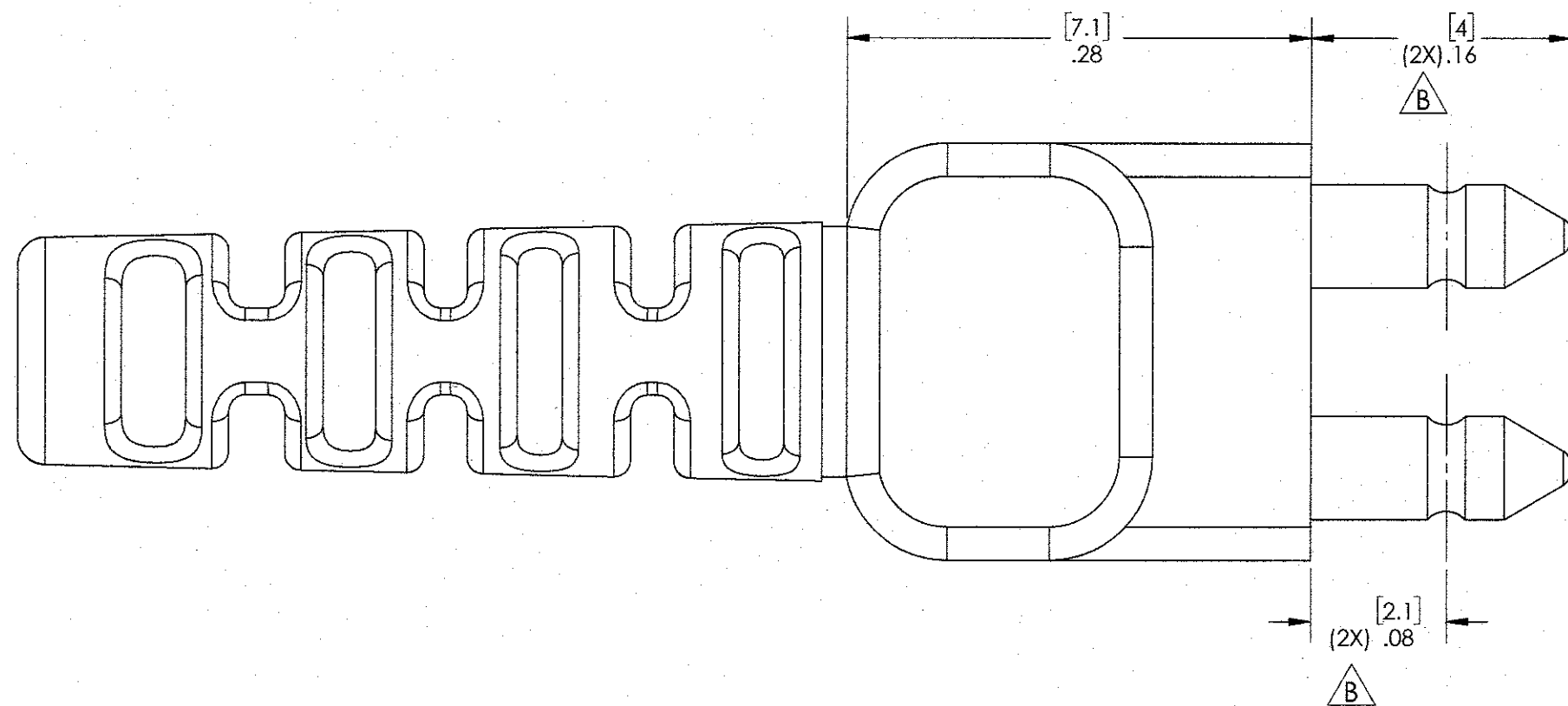
3

1

2


1

1



THIS DRAWING CONTAINS CONFIDENTIAL AND PROPRIETARY INFORMATION AND MAY NOT BE ISSUED OR REPRODUCED, IN WHOLE, OR IN PART, WITHOUT THE EXPRESS WRITTEN PERMISSION OF P1 TECHNOLOGIES.

REV	DESCRIPTION	DATE	BY
B	REV PER ECO 33429, JLR, 2/11/19	3/21/19	JLR
A	RELEASE PER ECO 18607 TAS 8/24/12	9-18-12	TAS
REVISIONS			

TOLERANCES UNLESS OTHERWISE SPECIFIED ALL DIMENSIONS IN INCHES DIMENSIONS IN [] METRIC	APPROVALS	DATE	 BECAUSE EVERYTHING CONNECTS 6591 Merriman Road, Roanoke, VA 24018 Phone: 540-772-7950 Fax: 540-989-7519
	DRAWN T. STUMP PROJ ENGR APPROVED PROJ	8/27/12 7/8/2020 7/10/2020 FSCM	