

4

|

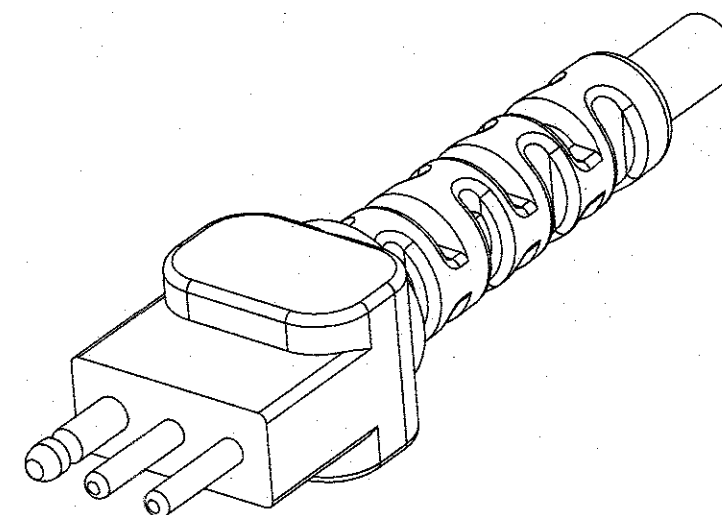
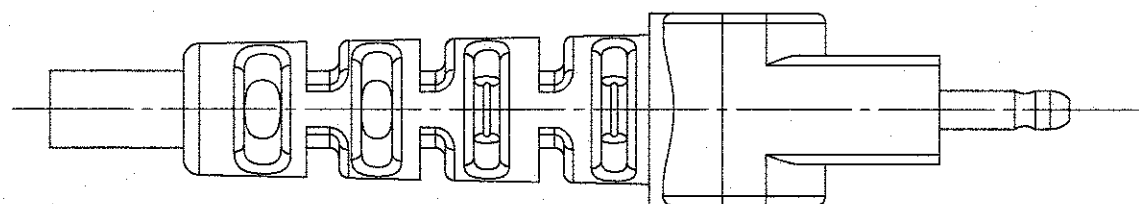
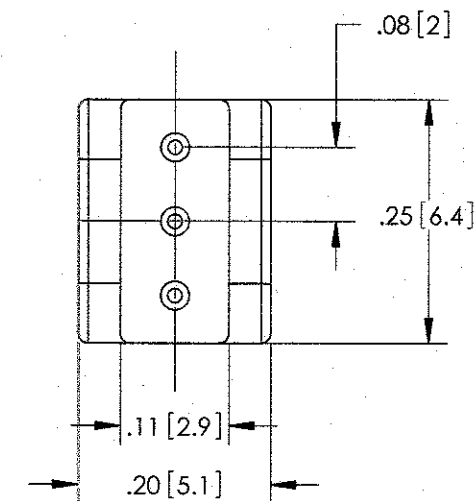
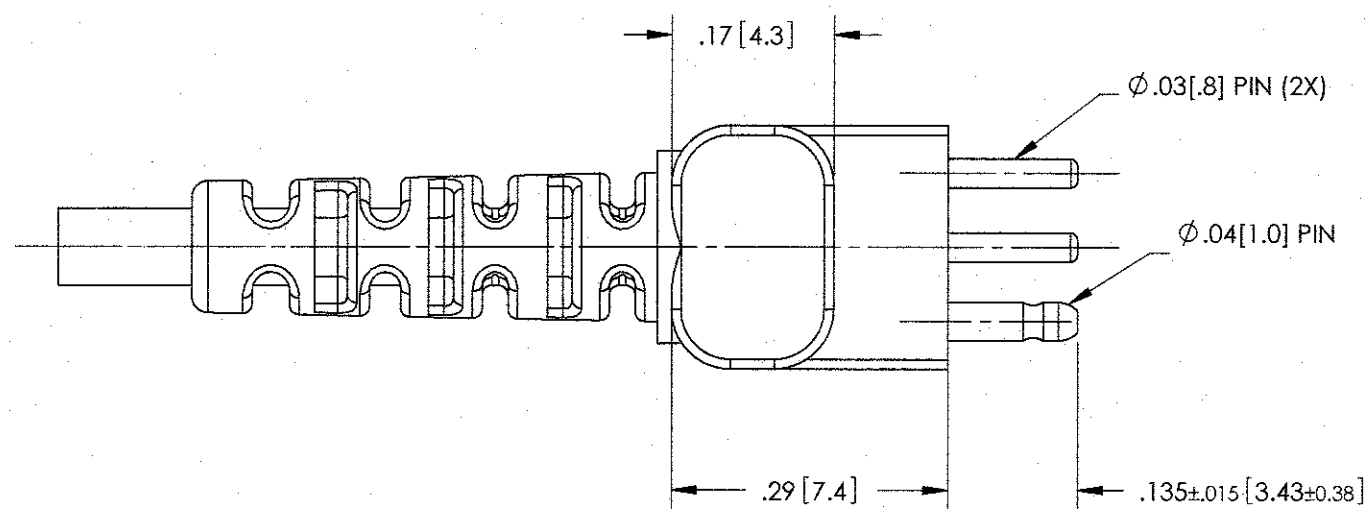
3

|

2

|

1



THIS DRAWING CONTAINS CONFIDENTIAL AND PROPRIETARY INFORMATION AND MAY NOT BE ISSUED OR REPRODUCED, IN WHOLE, OR IN PART, WITHOUT THE EXPRESS WRITTEN PERMISSION OF P1 TECHNOLOGIES.

REV	DESCRIPTION	DATE	BY
A	RELEASE PER ECO 18607 TAS 8/28/12	9/18/12	TAS
REVISIONS			

TOLERANCES		APPROVALS	DATE
UNLESS OTHERWISE SPECIFIED ALL DIMENSIONS IN INCHES DIMENSIONS IN [] METRIC		DRAWN T STUMP	8/28/12
FRACTIONAL ±1/64		CHECKED <i>T. Stump</i>	7/8/2020
DECIMAL .00 ±.01 [.25mm] .000 ±.005 [.127mm]		PROJ ENGR	
ANGULAR ±.5°		APPROVED <i>R. Opely</i>	7/10/2020
		PROJECT 7SCM	
		TITLE PLUG, 182	
		SCALE 5:1	
SIZE B	DWG 2112-50	REV A	SHT 1 OF 1

P Technologies
BECAUSE EVERYTHING CONNECTS

6591 Merriman Road, Roanoke, VA 24018
Phone: 540-772-7950 Fax: 540-989-7519

D
C
B
A