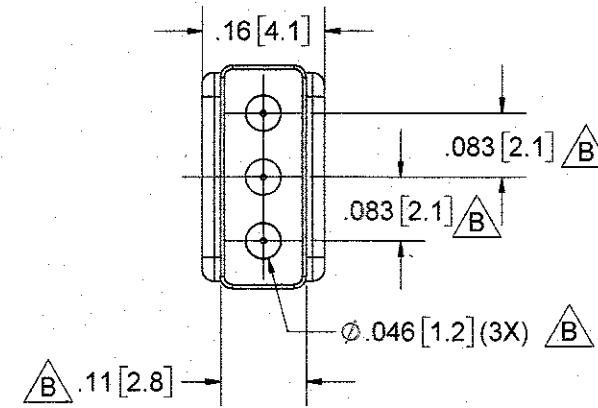
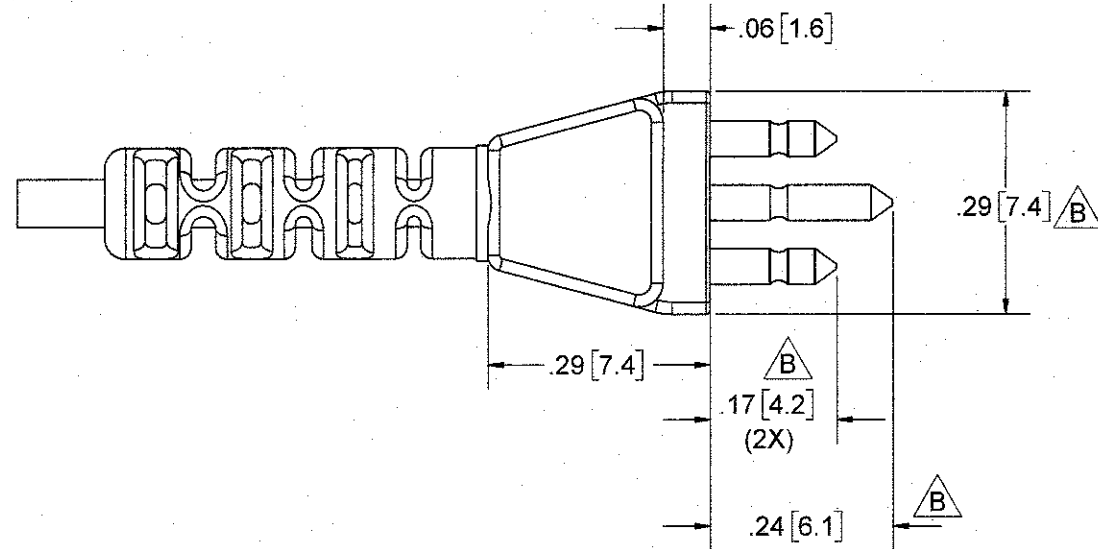
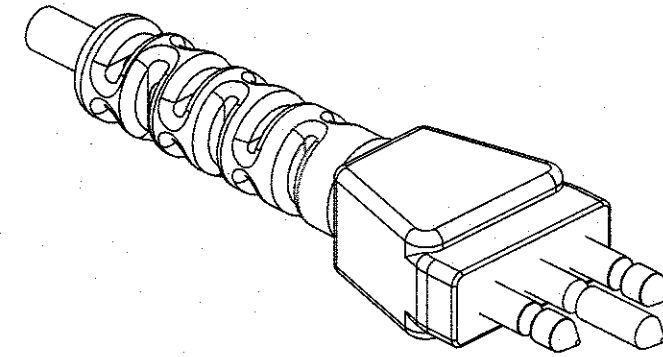
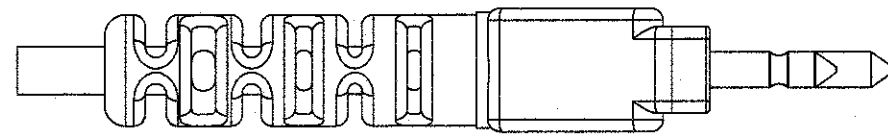


4

3


2

1



THIS DRAWING CONTAINS CONFIDENTIAL AND PROPRIETARY INFORMATION AND MAY NOT BE ISSUED OR REPRODUCED, IN WHOLE, OR IN PART, WITHOUT THE EXPRESS WRITTEN PERMISSION OF P1 TECHNOLOGIES.

REV	DESCRIPTION	DATE	BY
B	REV PER ECO 34135 TAS 6/19/19	6/28/19	TAS
A	REV PER ECO 2600 SJ 2/12/97	2/19/97	SDL
REVISIONS			

TOLERANCES UNLESS OTHERWISE SPECIFIED ALL DIMENSIONS IN INCHES DIMENSIONS IN [] METRIC	APPROVALS	DATE	 BECAUSE EVERYTHING CONNECTS 6591 Merriman Road, Roanoke, VA 24018 Phone: 540-772-7950 Fax: 540-989-7519
	DRAWN SINCLAIR PROJECT ENGR APPROVED PROJECT	5/2/85 7/8/2020 FSCM	
FRACTIONAL $\pm 1/64$ DECIMAL $.00 \pm .01$ [.25mm] $.000 \pm .005$ [.127mm] ANGULAR $\pm .5^\circ$			