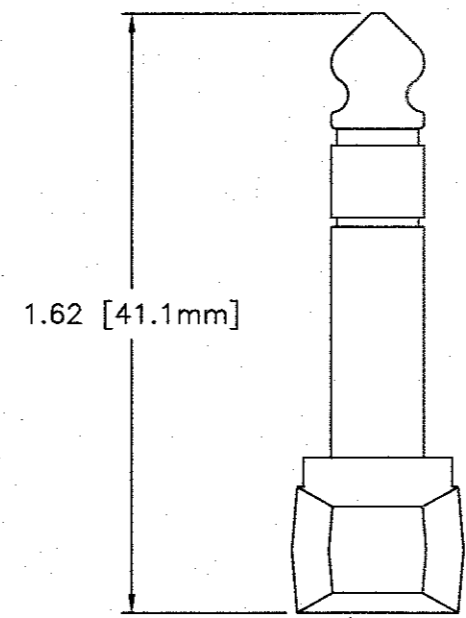
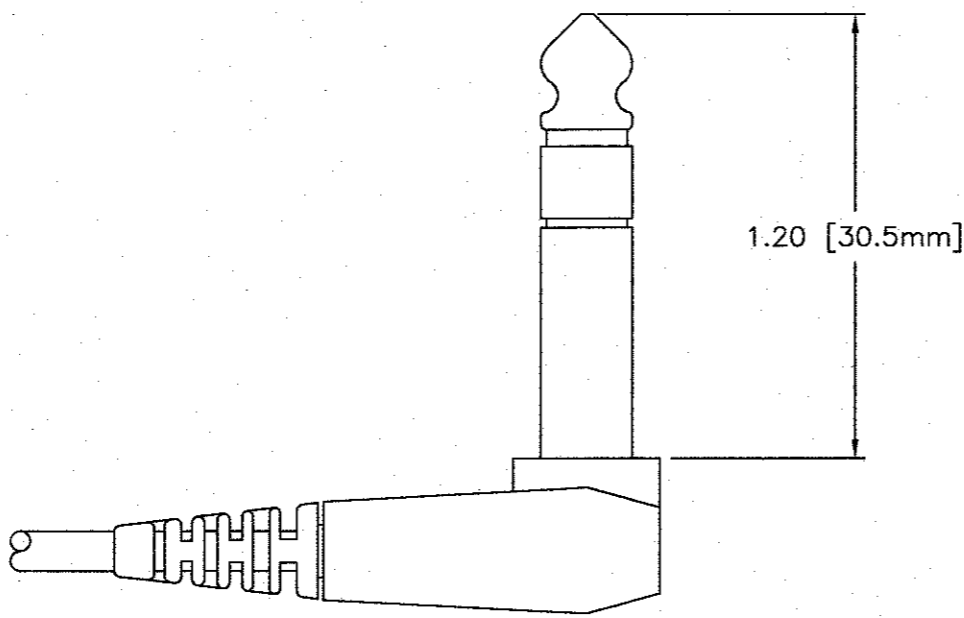
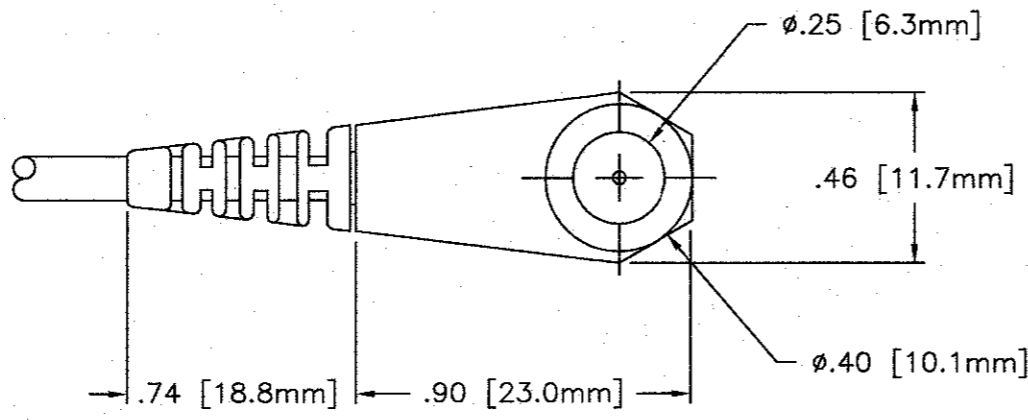


THIS DRAWING CONTAINS PROPRIETARY INFORMATION AND MAY NOT BE ISSUED OR REPRODUCED, IN WHOLE OR IN PART, WITHOUT EXPRESS WRITTEN PERMISSION OF PLASTICS ONE INC



THIS DRAWING CONTAINS CONFIDENTIAL AND PROPRIETARY INFORMATION AND MAY NOT BE ISSUED OR REPRODUCED, IN WHOLE, OR IN PART, WITHOUT THE EXPRESS WRITTEN PERMISSION OF P1 TECHNOLOGIES.

REV.	A	REV PER ECO 324	6/21/93	WSC	1/20/94	LL
		DESCRIPTION			APPROVAL DATE	APPROVED BY

TOLERANCES UNLESS OTHERWISE SPECIFIED ALL DIMENSIONS IN INCHES DIMENSIONS IN [] METRIC FRACTIONAL $\pm 1/64$ DECIMAL $.00 \pm .01 [.25mm]$ $.000 \pm .005 [.127mm]$ ANGULAR $\pm .5^\circ$	APPROVALS	DATE
	DRAWN SINCLAIR	11/20/86
	CHECKED <i>X</i>	7/10/20
	PROJ ENGR	
	APPROVED <i>R. Spady</i>	7/14/2016
	PROJECT	FSCM

 6591 Merriman Road, Roanoke, VA 24018 Phone: 540-772-7950 Fax: 540-989-7519		TITLE PLUG, 219	
SIZE	DWG	REV	SHT OF
B	2214-50	A	1 OF 1
		SCALE	2-1

D
—
C
—
B
—
A