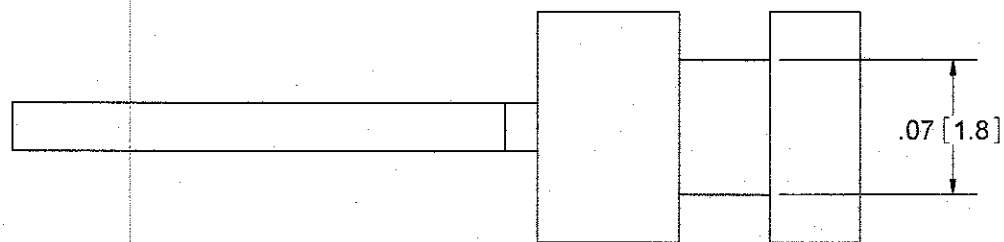
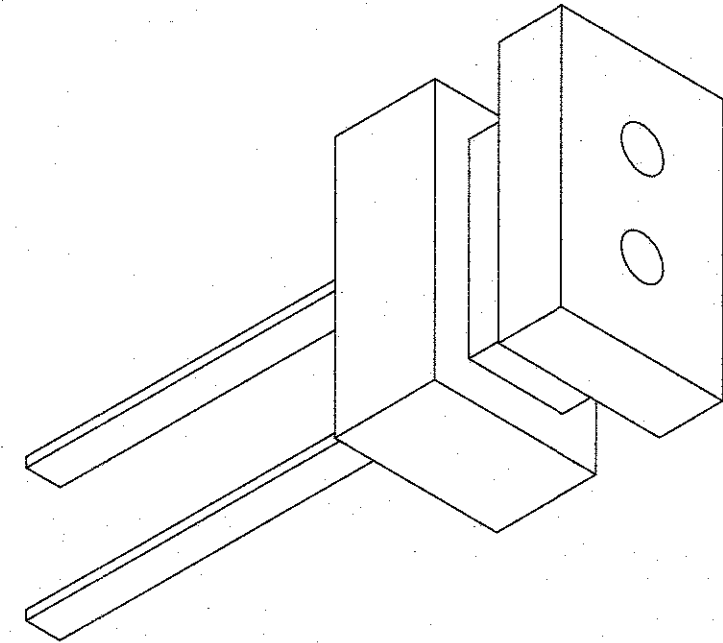
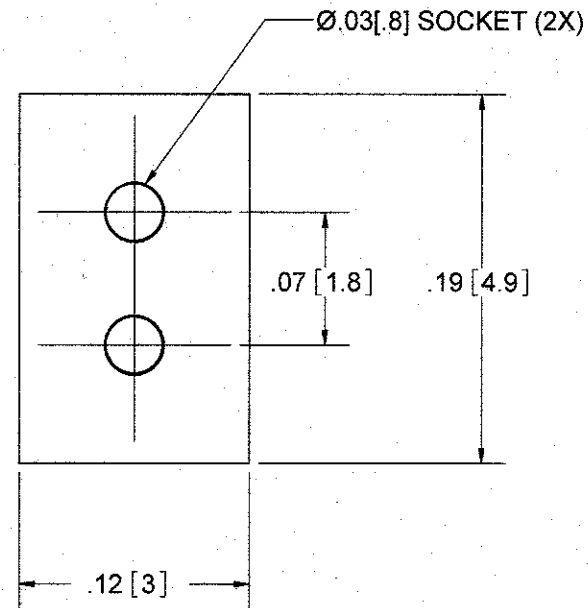
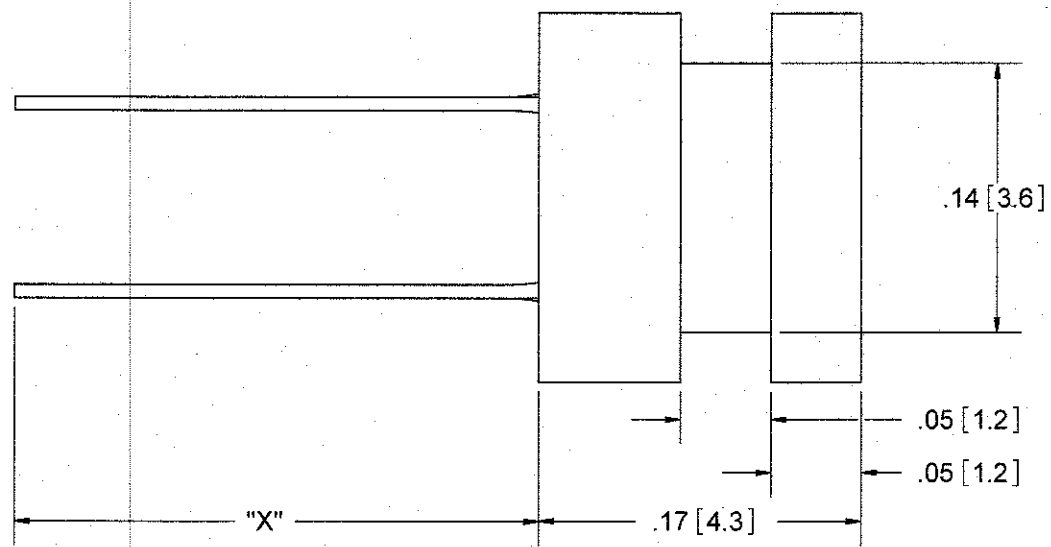


4

3

2

1



OPTION	
LEAD LENGTH	DIM "X"
"A"	.25 [6.4]
"B"	.12 [3.0]

THIS DRAWING CONTAINS CONFIDENTIAL AND PROPRIETARY INFORMATION AND MAY NOT BE ISSUED OR REPRODUCED, IN WHOLE, OR IN PART, WITHOUT THE EXPRESS WRITTEN PERMISSION OF P1 TECHNOLOGIES.

REV	DESCRIPTION	DATE	BY
A	RELEASE PER ECO 18607 TAS 8/28/12	9/18/12	TAS
REVISIONS			

TOLERANCES UNLESS OTHERWISE SPECIFIED ALL DIMENSIONS IN INCHES DIMENSIONS IN [] METRIC		APPROVALS	DATE
FRACTIONAL ±1/64	DRAWN T STUMP 8/28/12 CHECKED <i>[Signature]</i> 7/22/2020 PROJ ENGR APPROVED <i>[Signature]</i> 7/23/2020 PROJECT FSCM		
DECIMAL .00 ±.01 [.25mm] .000 ±.005 [.127mm]			
ANGULAR ±.5°			

P Technologies
BECAUSE EVERYTHING CONNECTS
6591 Merriman Road, Roanoke, VA 24018
Phone: 540-772-7950 Fax: 540-989-7519

TITLE JACK, SHOULDER MOUNT
2 PIN @.030

SCALE 10/1

SIZE DWG B 2235-50

REV A SHT 1 OF 1

D
C
B
A