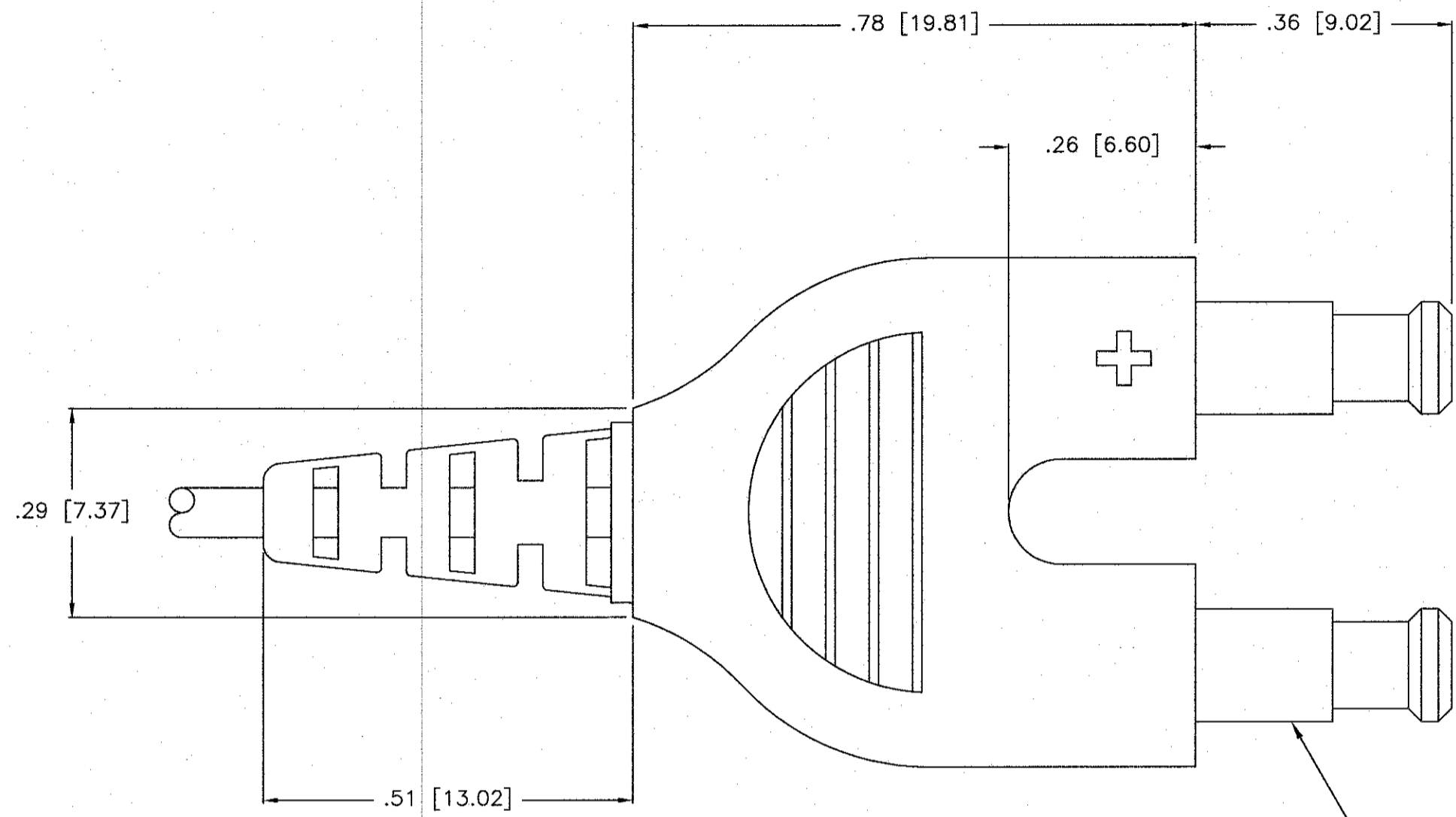
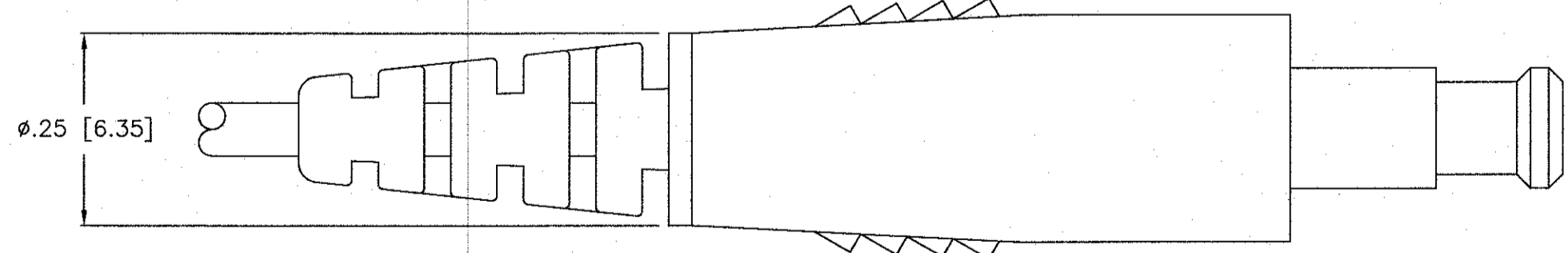
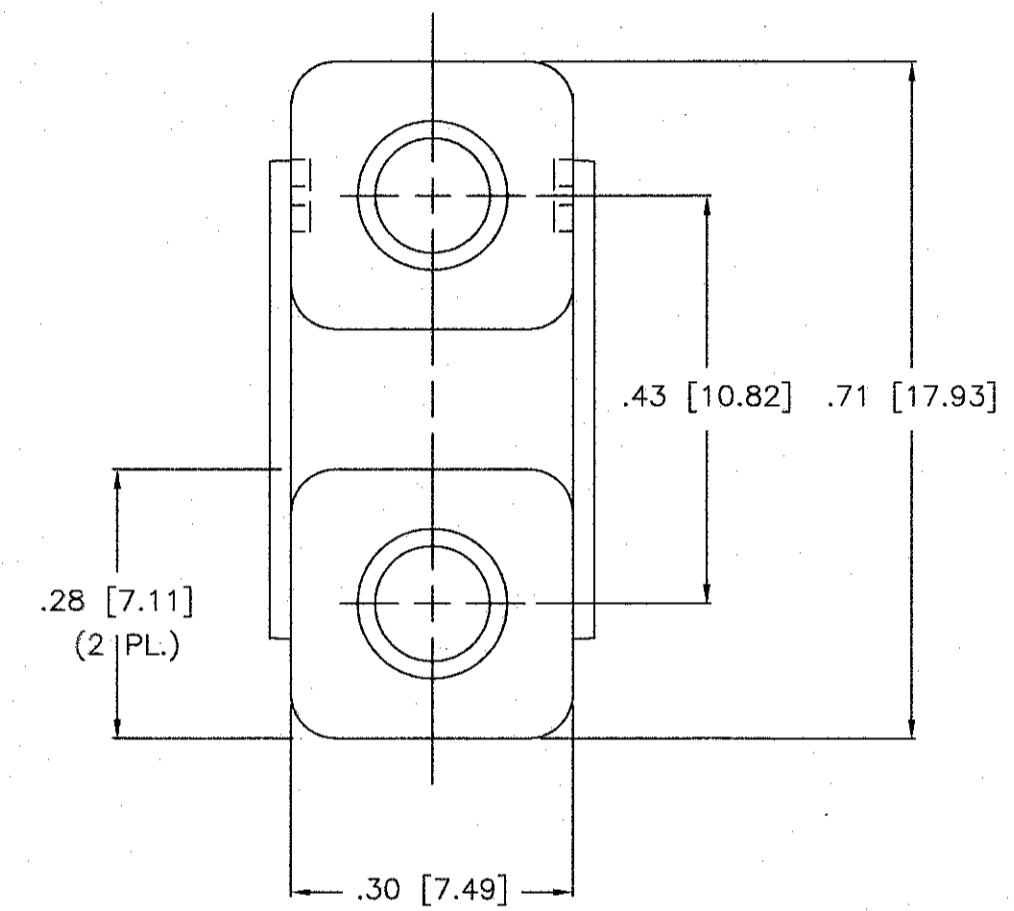


4 1 3 1 2 1 1

REVISIONS				
REV	DESCRIPTION	APPROVAL DATE	APPROVED BY	
A	RELEASE PER ECO #9032	XZ 9/15/05	9/26/05	XZ



105 PIN, DWG 1100



THIS DRAWING CONTAINS CONFIDENTIAL AND PROPRIETARY INFORMATION AND MAY NOT BE ISSUED OR REPRODUCED, IN WHOLE, OR IN PART, WITHOUT THE EXPRESS WRITTEN PERMISSION OF P1 TECHNOLOGIES.

TOLERANCES UNLESS OTHERWISE SPECIFIED ALL DIMENSIONS IN INCHES DIMENSIONS IN [] METRIC	APPROVALS DRAWN <i>XZHOU</i>	DATE 9/15/05	Technologies <small>BECAUSE EVERYTHING CONNECTS</small> 6591 Merriman Road, Roanoke, VA 24018 Phone: 540-772-7950 Fax: 540-989-7519
	CHECKED <i>[Signature]</i> PROJECT ENGR	DATE 7/23/2020	
FRACTIONAL $\pm 1/64$	APPROVED <i>[Signature]</i> PROJECT ENGR	DATE 7/23/2020	TITLE PLUG, 440
DECIMAL .00 \pm .01 [.25mm] .000 \pm .005 [.127mm]	APPROVED <i>[Signature]</i> PROJECT ENGR	DATE 7/23/2020	SCALE 5X
ANGULAR $\pm .5^\circ$	APPROVED <i>[Signature]</i> PROJECT ENGR	DATE 7/23/2020	SIZE C
SIZE DWG 2371-50			REV A
REV A			SHT 1 OF 1

D
C
B
A