

4

1

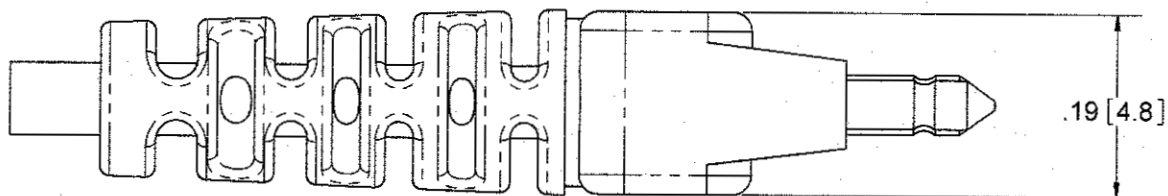
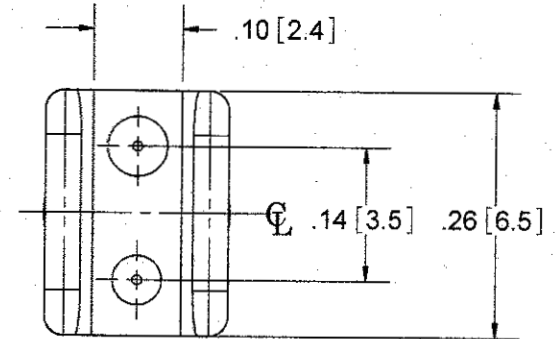
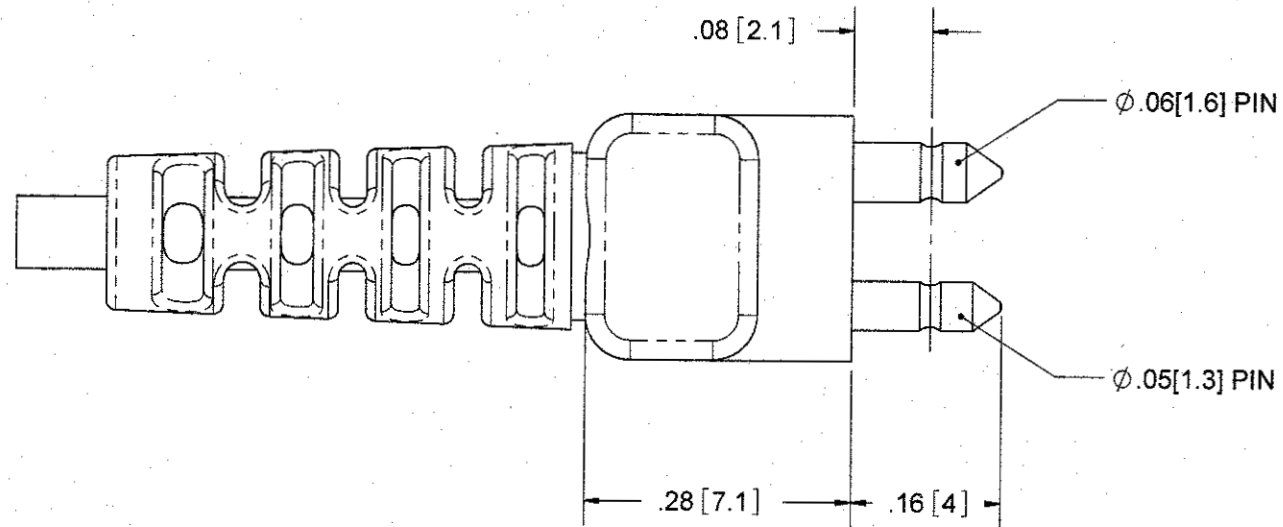
3

1

2

1

1



THIS DRAWING CONTAINS CONFIDENTIAL AND PROPRIETARY INFORMATION AND MAY NOT BE ISSUED OR REPRODUCED, IN WHOLE, OR IN PART, WITHOUT THE EXPRESS WRITTEN PERMISSION OF P1 TECHNOLOGIES.

REV	DESCRIPTION	DATE	BY
A	RELEASE PER ECO 18607 TAS 8/28/12	9/18/12	TAS
REVISIONS			

TOLERANCES UNLESS OTHERWISE SPECIFIED ALL DIMENSIONS IN INCHES DIMENSIONS IN [] METRIC		APPROVALS	DATE
FRACTIONAL $\pm 1/64$	DECIMAL .00 $\pm .01$ [.25mm] .000 $\pm .005$ [.127mm]	DRAWN T. STUMP	8/28/12
ANGULAR $\pm .5^\circ$		CHECKED <i>T. Stump</i>	7/6/2020
		PROJ ENGR	
		APPROVED <i>L. Spauldy</i>	7/10/2020
		PROJECT	FSCM

P Technologies
BECAUSE EVERYTHING CONNECTS

6591 Merriman Road, Roanoke, VA 24018
Phone: 540-772-7950 Fax: 540-989-7519

TITLE PLUG, 7		SCALE 5:1	
SIZE B	DWG 2427-50	REV A	SHT OF 1

D

C

B

A