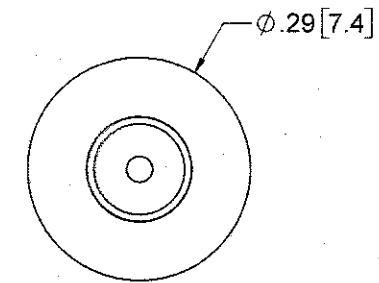
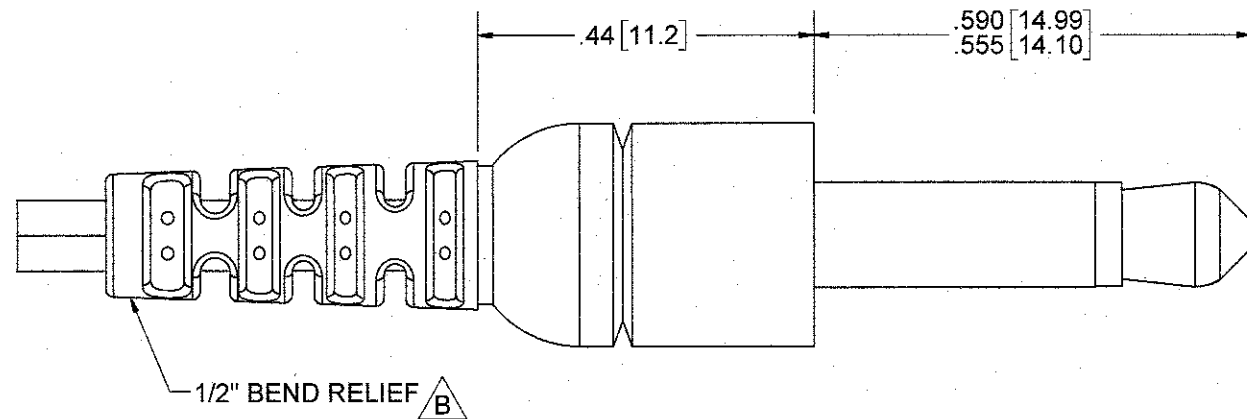
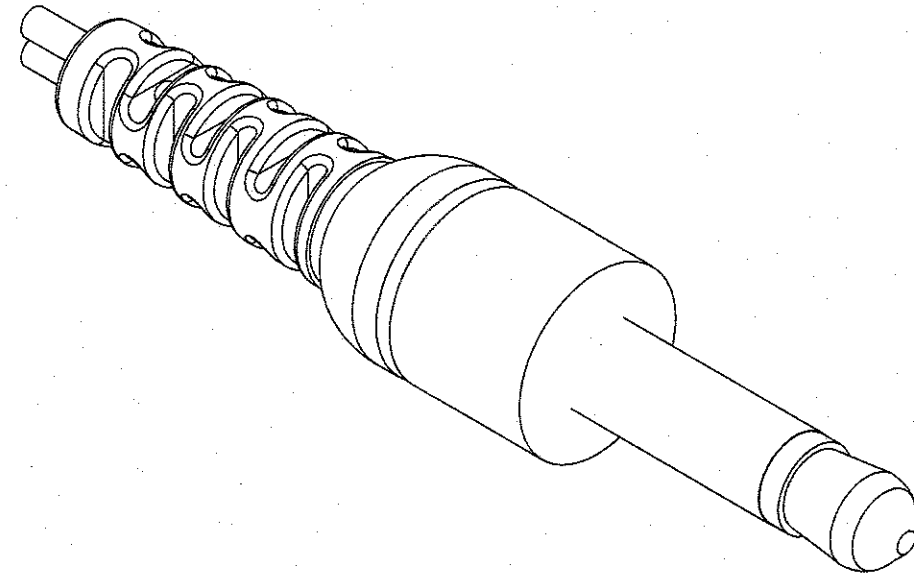
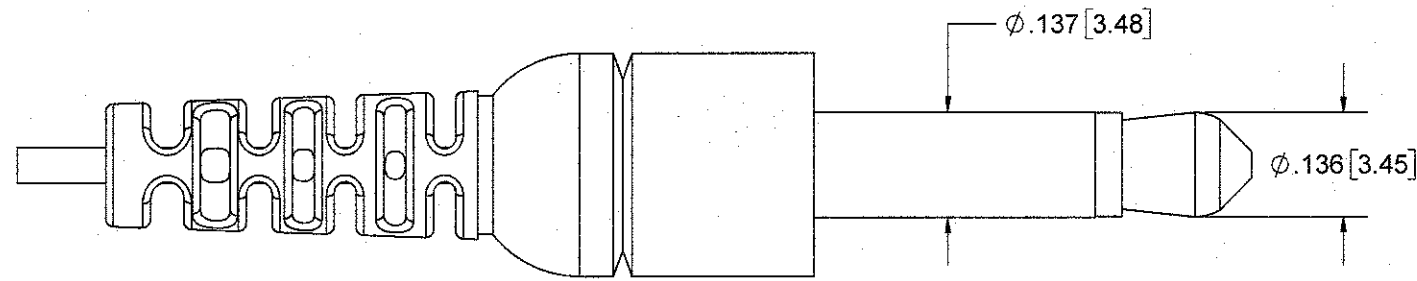


4

3

2

1



THIS DRAWING CONTAINS CONFIDENTIAL AND PROPRIETARY INFORMATION AND MAY NOT BE ISSUED OR REPRODUCED, IN WHOLE, OR IN PART, WITHOUT THE EXPRESS WRITTEN PERMISSION OF P1 TECHNOLOGIES.

REV	DESCRIPTION	DATE	BY
B	REV PER ECO 19438 TAS 12/4/12 REDRAWN IN SOLIDWORKS	1/16/13	TAS
A	RELEASE PER ECO 2057 RTS 6/18/96	8/2/96	RTS
REVISIONS			

<b>TOLERANCES</b> UNLESS OTHERWISE SPECIFIED ALL DIMENSIONS IN INCHES DIMENSIONS IN [ ] METRIC		<b>APPROVALS</b> DRAWN R. SINCLAIR	<b>DATE</b> 4/10/90	<b>Technologies</b> <small>BECAUSE EVERYTHING CONNECTS</small> 6591 Merriman Road, Roanoke, VA 24018 Phone: 540-772-7950 Fax: 540-989-7519
<b>FRACTIONAL</b> $\pm 1/64$	CHECKED <i>[Signature]</i>	7/20/20	<b>TITLE</b> PLUG, 466	
<b>DECIMAL</b> .00 $\pm$ .01 [.25mm] .000 $\pm$ .005 [.127mm]	PROJ ENGR R. SINCLAIR	4/10/90	SCALE 4:1	
<b>ANGULAR</b> $\pm .5^\circ$	APPROVED <i>[Signature]</i>	7/21/2020	SIZE DWG <b>B</b> 2459-50	
			PROD CT FSCM	REV B SHT OF 1

D

C

B

A