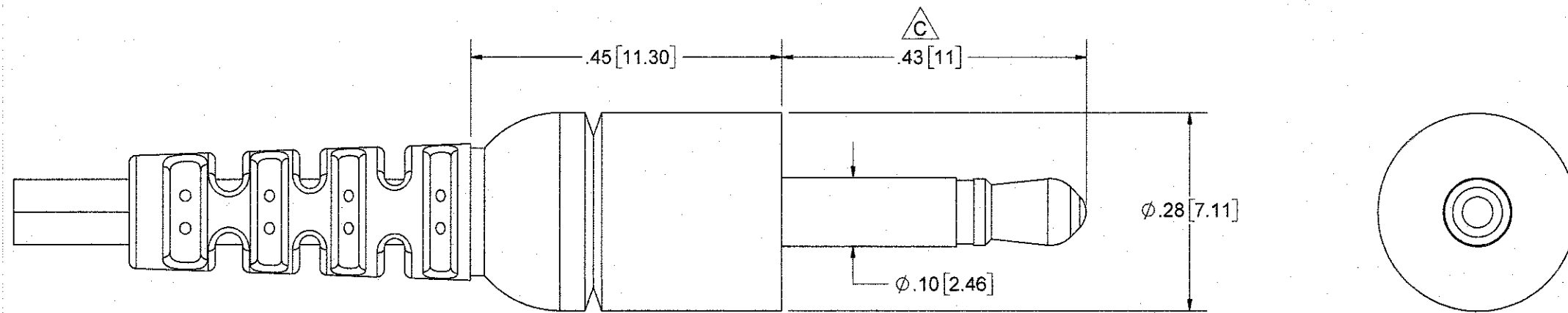
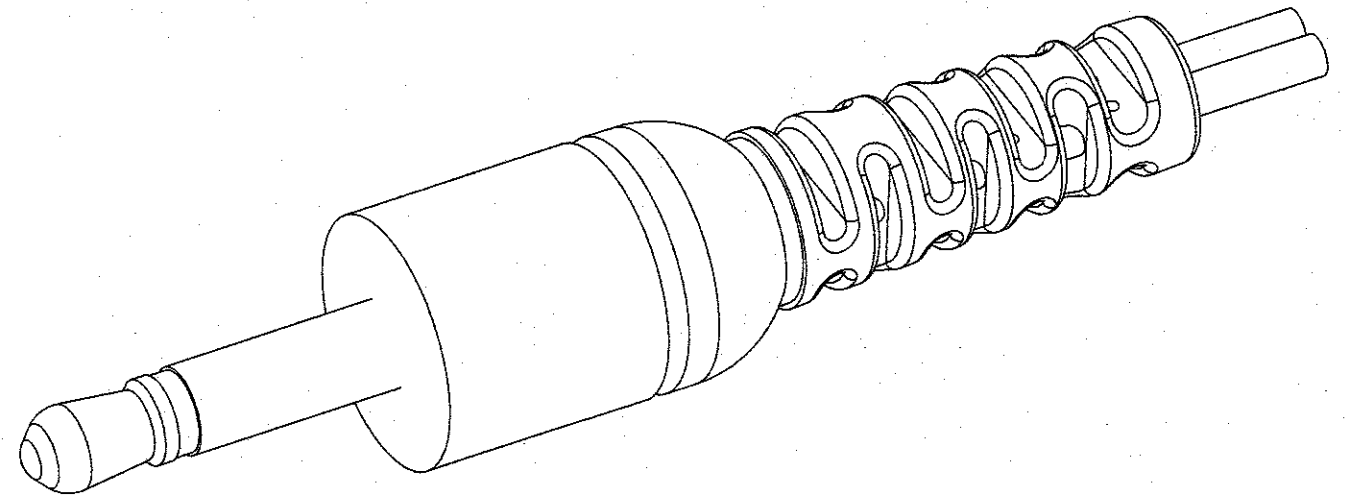


4

3

2

1



REF. MOLD DRAWING 4129

THIS DRAWING CONTAINS CONFIDENTIAL AND PROPRIETARY INFORMATION AND MAY NOT BE ISSUED OR REPRODUCED, IN WHOLE, OR IN PART, WITHOUT THE EXPRESS WRITTEN PERMISSION OF P1 TECHNOLOGIES.

REV	DESCRIPTION	DATE	BY
C	REV PER ECO 16541 TAS 09/30/11 REDRAWN IN SOLIDWORKS	11/29/11	TAS
B	REV PER ECO 5603 GSOX 04/16/01	04/25/01	SHN
A	RELEASE PER ECO 1850 SJ 04/10/96	04/11/96	WON
REVISIONS			

<b>TOLERANCES</b> UNLESS OTHERWISE SPECIFIED ALL DIMENSIONS IN INCHES DIMENSIONS IN [ ] METRIC	APPROVALS	DATE	 BECAUSE EVERYTHING CONNECTS 6591 Merriman Road, Roanoke, VA 24018 Phone: 540-772-7950 Fax: 540-989-7519
	DRAWN JAMISON	04/10/96	
	CHECKED <i>Xolan</i>	7/20/20	
	PROJ ENGR		
<b>FRACTIONAL</b> $\pm 1/64$	APPROVED <i>L. Sperry</i> 7/21/2020	FSCM	TITLE PLUG, 467, 2.5 MONO, PEAR TIP
<b>DECIMAL</b> .00 $\pm$ .01 [.25mm] .000 $\pm$ .005 [.127mm]	SCALE 5:1	SIZE B	DWG 2460-50
<b>ANGULAR</b> $\pm .5^\circ$	REV C	SHT OF 1	

D

C

B

A