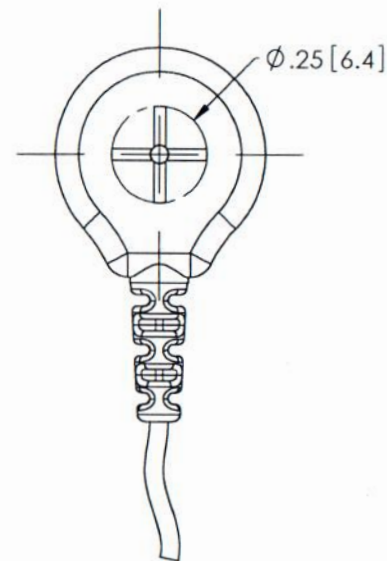
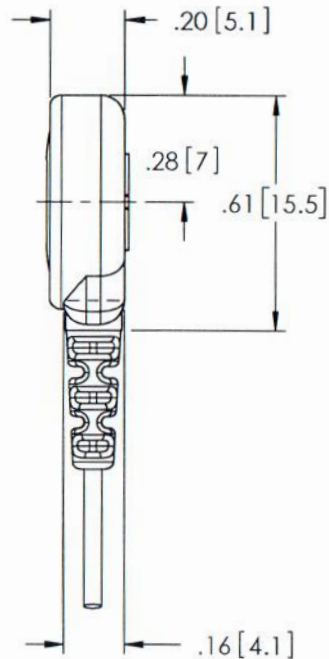
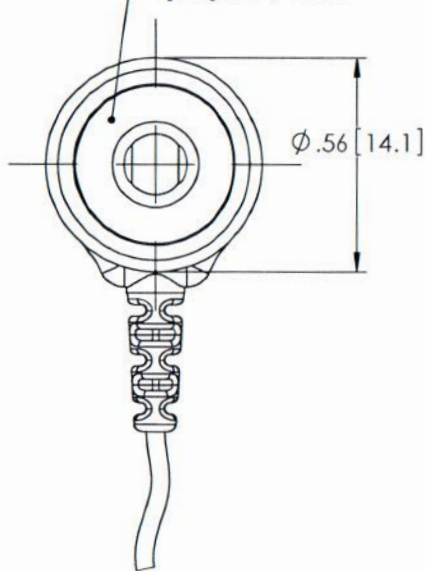


STAINLESS STEEL SOCKET
TO ACCOMMODATE
[2.5] .10 HIGH X
[4.0] .16 Ø STUD



SCALE 1:1

			<p>TOLERANCES UNLESS OTHERWISE SPECIFIED ALL DIMENSIONS IN INCHES DIMENSIONS IN [] METRIC</p>		<p>APPROVALS</p>		<p>DATE</p>		<p>P Technologies BECAUSE EVERYTHING CONNECTS 6591 Merriman Road, Roanoke, VA 24018 Phone: 540-772-7950 Fax: 540-989-7519</p>	
			<p>FRACTIONAL ±1/64</p>		<p>DRAWN T. STUMP</p>		<p>8/23/12</p>			
			<p>DECIMAL .00 ±.01 [.25mm] .000 ±.005 [.127mm]</p>		<p>CHECKED <i>T. Stump</i></p>		<p>7/22/2020</p>			
<p>REVISIONS</p>			<p>ANGULAR ±.5°</p>		<p>PROJ ENGR</p>		<p>TITLE</p>		<p>SNAP, 422, WITH +</p>	
<p>THIS DRAWING CONTAINS CONFIDENTIAL AND PROPRIETARY INFORMATION AND MAY NOT BE ISSUED OR REPRODUCED, IN WHOLE, OR IN PART, WITHOUT THE EXPRESS WRITTEN PERMISSION OF P1 TECHNOLOGIES.</p>					<p>APPROVED <i>L. Spauldy</i></p>		<p>7/23/2020</p>		<p>SCALE 2:1</p>	
					<p>PROJECT</p>		<p>FSCM</p>		<p>SIZE DWG</p>	
					<p>A</p>		<p>2470-50</p>		<p>REV SHT</p>	
									<p>A OF 1</p>	