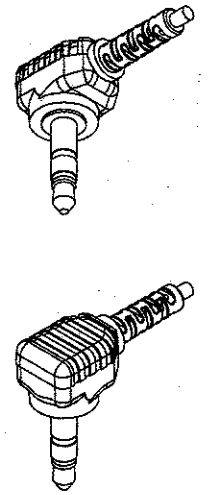
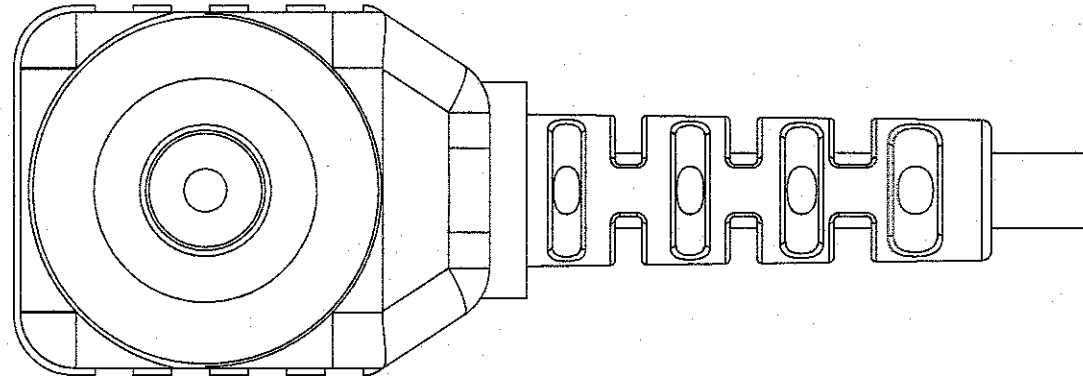
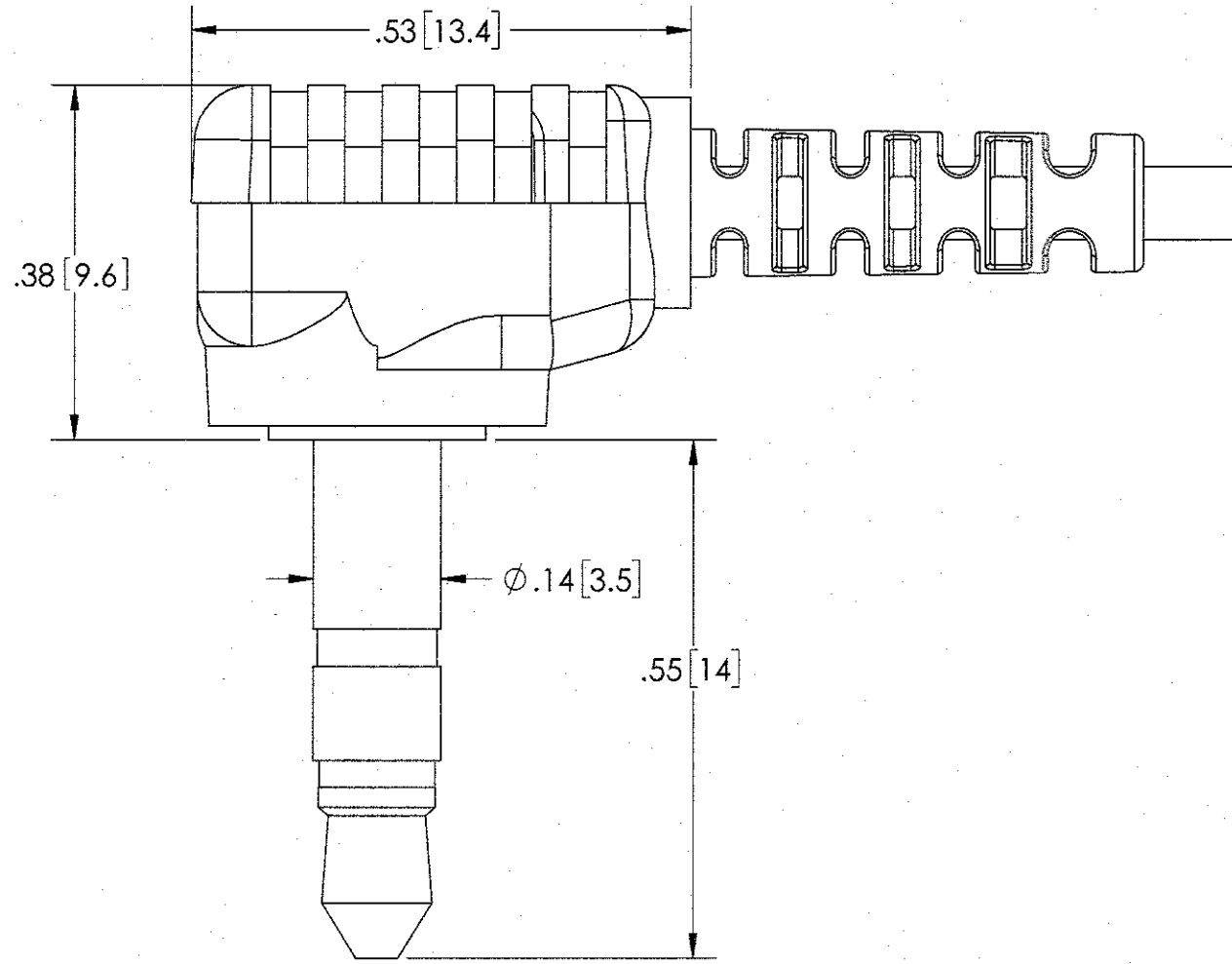
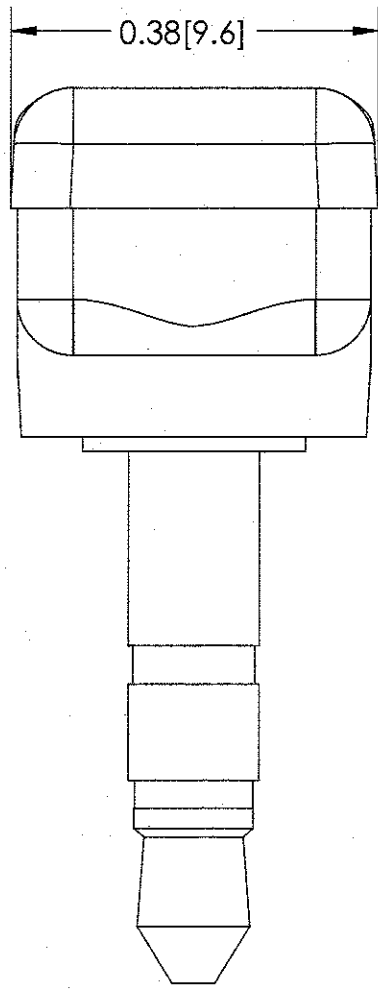


4

3

2

1




ACTUAL SIZE

THIS DRAWING CONTAINS CONFIDENTIAL AND PROPRIETARY INFORMATION AND MAY NOT BE ISSUED OR REPRODUCED, IN WHOLE, OR IN PART, WITHOUT THE EXPRESS WRITTEN PERMISSION OF P1 TECHNOLOGIES.

REV	DESCRIPTION	DATE	BY
A	RELEASE PER ECO 18607 TAS 8/23/12	9/18/12	TAS
REVISIONS			

TOLERANCES UNLESS OTHERWISE SPECIFIED ALL DIMENSIONS IN INCHES DIMENSIONS IN [ ] METRIC		APPROVALS	DATE
FRACTIONAL ±1/64		DRAWN T STUMP	8/23/12
DECIMAL .00 ±.01 [.25mm] .000 ±.005 [.127mm]		CHECKED <i>X</i>	<i>7/20/12</i>
ANGULAR ±.5°		PROJ ENGR	
		APPROVED <i>L. Spauldy</i>	<i>7/21/2012</i>
		PROJECT	FSCM

 BECAUSE EVERYTHING CONNECTS 6591 Merriman Road, Roanoke, VA 24018 Phone: 540-772-7950 Fax: 540-989-7519		TITLE	
		PLUG, 464	
SCALE		5:1	
SIZE	DWG	REV	SHT
B	2484-50	A	1 OF 1

D

C

B

A