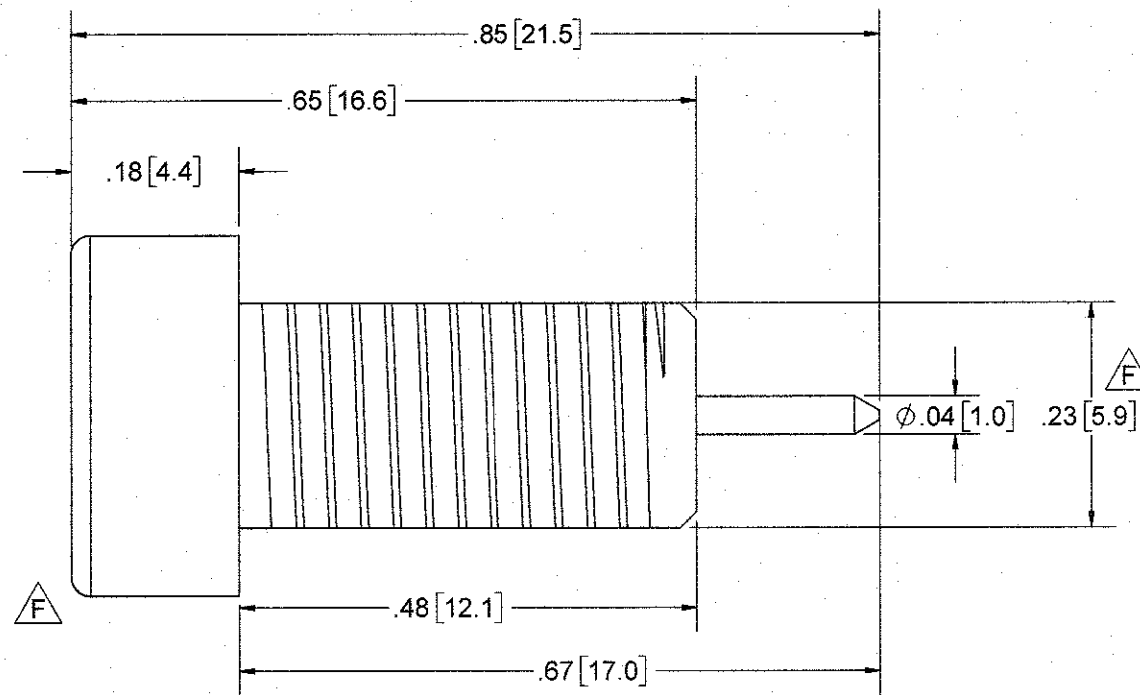
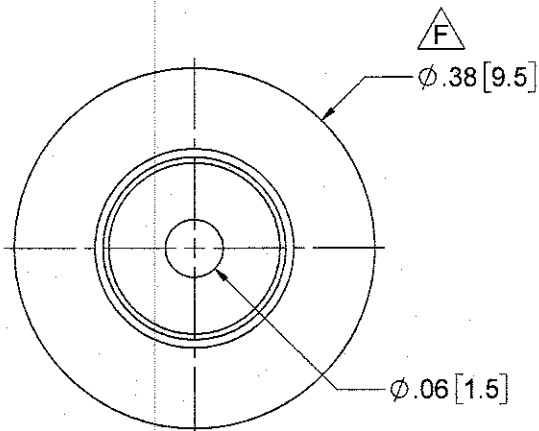
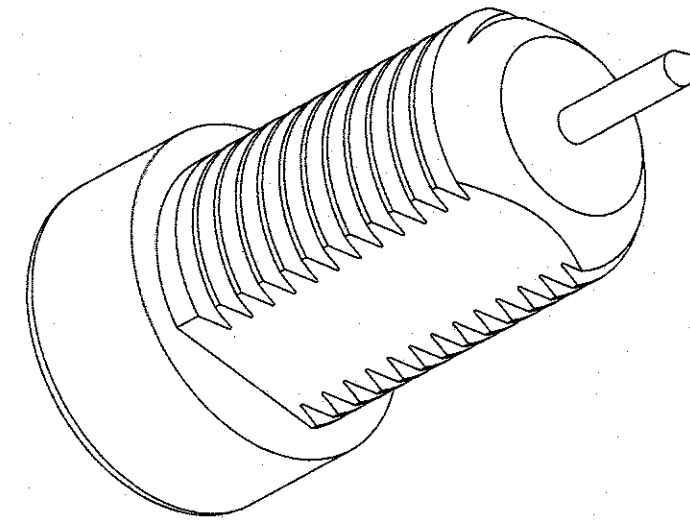
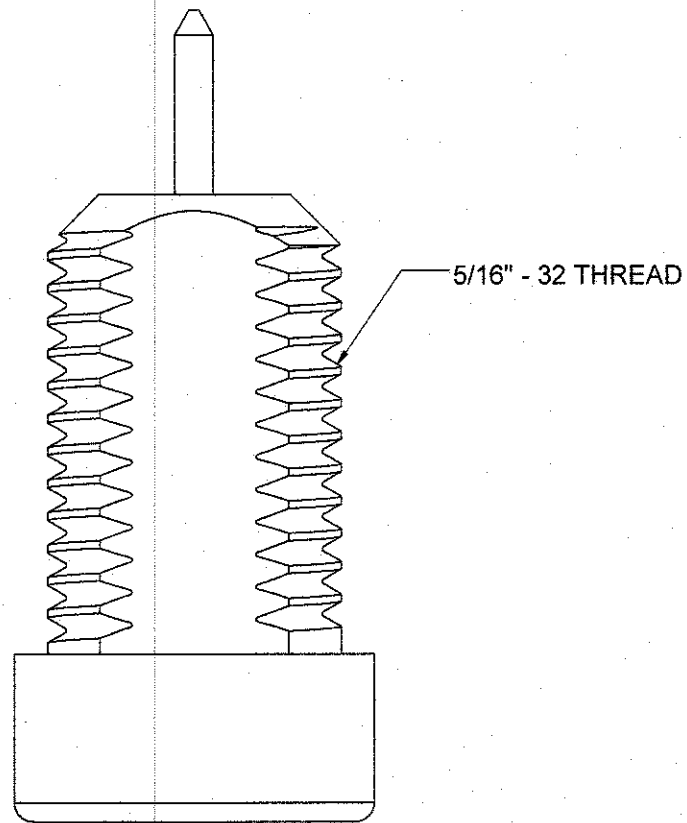


4

3

2

1



- NOTES:**
1. MATERIAL: PBT  
OTHER MATERIALS AVAILABLE
  2. SIGNAL CONTACT PLATING: SOFT NICKEL, THEN SOFT GOLD
  3. PIN SETBACK: 0.10" [2.5MM]  
EN 60601 TOUCHPROOF
  4. GENERAL PERFORMANCE (CONTACT P1T FOR TEST CONDITIONS)  
EXTRACTION FORCE: 3.7 LBS AVERAGE (16.5N)  
LIFE CYCLE: 1000+ INSERTION CYCLES  
MAX. CURRENT: 11 AMPS
  5. OPERATING TEMPERATURE: +5°C TO +60°C
  6. UL94 V-0/5V
  7. DIN 802 COMPLIANT

F	REV PER ECO 27944 KDS 10/11/16	10/18/16	SLH
E	REV PER ECO 26711 TAS 3/23/16	3/29/16	KE
	REDRAWN IN SOLIDWORKS XZ 10/14/15		
D	REV PER ECO 3390 GSOX 2/24/98	3/4/98	GSOX
C	REV PER ECO 2556 SJ 1/29/97	2/4/97	SJ
B	REV PER ECO 2187 RS 5/13/94	8/14/97	RS
A	RELEASE PER ECO 596 RS 4/26/94	5/13/94	LL
REV	DESCRIPTION	DATE	BY
	REVISIONS		

TOLERANCES UNLESS OTHERWISE SPECIFIED ALL DIMENSIONS IN INCHES DIMENSIONS IN [ ] METRIC.	
FRACTIONAL ±1/64	
DECIMAL .00 ±.01 [.25mm] .000 ±.005 [.127mm]	
ANGULAR ±.5°	

APPROVALS	DATE
DRAWN SINCLAIR	10/27/93
CHECKED <i>Xehon</i>	7/22/20
PROJ ENGR SINCLAIR	10/27/93
APPROVED <i>L. Spauldy</i>	7/23/2020
PROJECT 1302	FSCM

**P Technologies**  
BECAUSE EVERYTHING CONNECTS

6591 Merriman Road, Roanoke, VA 24018  
Phone: 540-772-7950 Fax: 540-989-7519

TITLE  
JACK, PANEL MOUNT, Ø1.5mm

SCALE 5:1

SIZE DWG B 36145-50

REV F SHT OF 1

THIS DRAWING CONTAINS CONFIDENTIAL AND PROPRIETARY INFORMATION AND MAY NOT BE ISSUED OR REPRODUCED, IN WHOLE, OR IN PART, WITHOUT THE EXPRESS WRITTEN PERMISSION OF P1 TECHNOLOGIES.