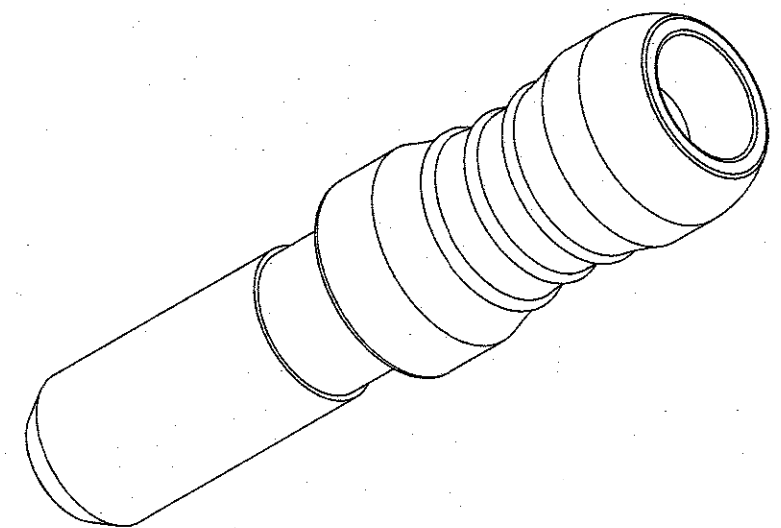
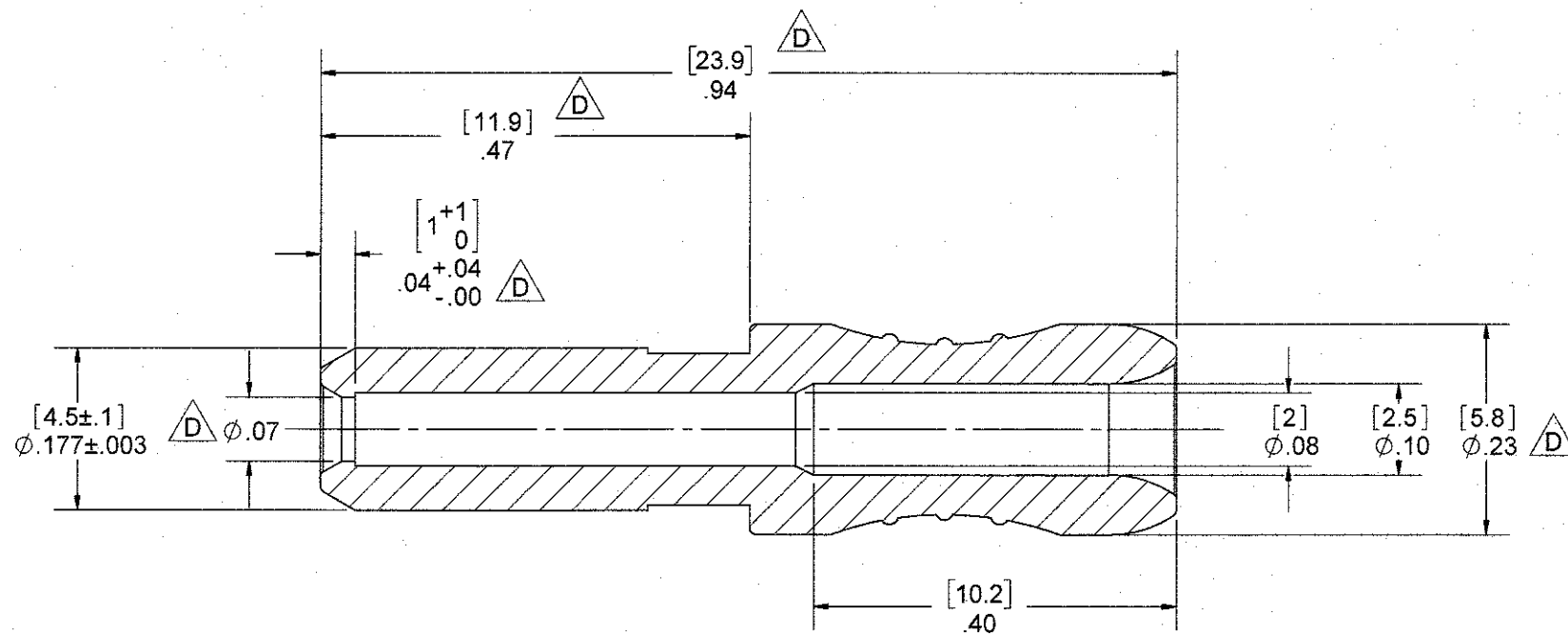
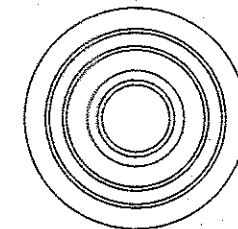
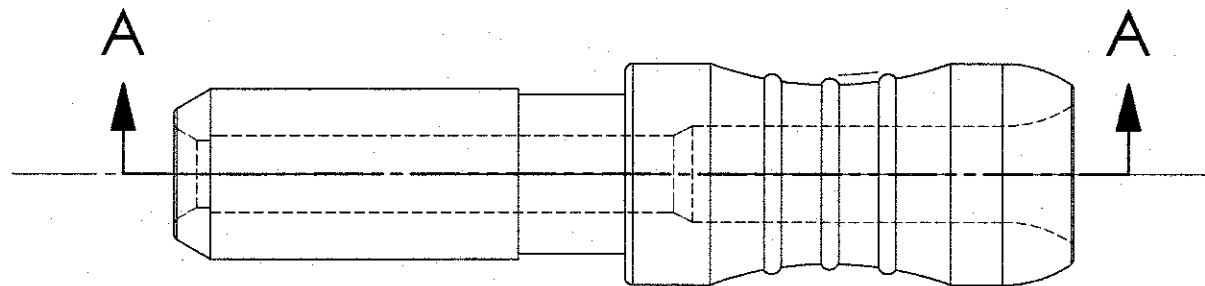
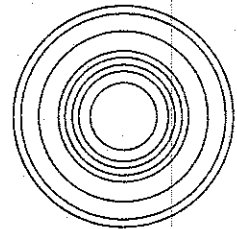


4 | | 3 | | 2 | | 1



THIS DRAWING CONTAINS CONFIDENTIAL AND PROPRIETARY INFORMATION AND MAY NOT BE ISSUED OR REPRODUCED, IN WHOLE, OR IN PART, WITHOUT THE EXPRESS WRITTEN PERMISSION OF P1 TECHNOLOGIES.

REV	DESCRIPTION	DATE	BY
D	REV PER ECO 27303 TAS 7/5/16	7/13/16	KE
C	REV PER ECO 11302 JAP 6/24/2008	7/2/08	JAP
B	REV PER ECO 6483 JS 6/14/02	7/8/02	JWR
A	RELEASE PER ECO 1817 SJ 3/22/96	3/27/96	SJ
REVISIONS			

TOLERANCES		APPROVALS	DATE																
UNLESS OTHERWISE SPECIFIED ALL DIMENSIONS IN INCHES DIMENSIONS IN [] METRIC		DRAWN BRINDLE	1/13/95																
FRACTIONAL ±1/64		CHECKED <i>xzhan</i>	7/22/20																
DECIMAL .00 ±.01 [.25mm] .000 ±.005 [.127mm]		PROJ ENGR																	
ANGULAR ±.5°		APPROVED <i>R. Spady</i>	7/23/2020																
		PROJECT 1022	FSCM																
<table border="0" style="width: 100%;"> <tr> <td colspan="2" style="text-align: center;">TITLE</td> <td colspan="2" style="text-align: center;">SCALE 5:1</td> </tr> <tr> <td colspan="4" style="text-align: center;">HOUSING, DISPOSABLE, 1.5mm</td> </tr> <tr> <td>SIZE</td> <td>DWG</td> <td>REV</td> <td>SHT</td> </tr> <tr> <td>B</td> <td>36385-50</td> <td>D</td> <td>1 OF 1</td> </tr> </table>				TITLE		SCALE 5:1		HOUSING, DISPOSABLE, 1.5mm				SIZE	DWG	REV	SHT	B	36385-50	D	1 OF 1
TITLE		SCALE 5:1																	
HOUSING, DISPOSABLE, 1.5mm																			
SIZE	DWG	REV	SHT																
B	36385-50	D	1 OF 1																

P Technologies
BECAUSE EVERYTHING CONNECTS

6591 Merriman Road, Roanoke, VA 24018
Phone: 540-772-7950 Fax: 540-989-7519

D
C
B
A