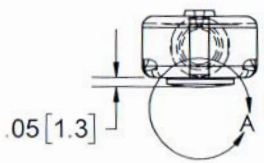
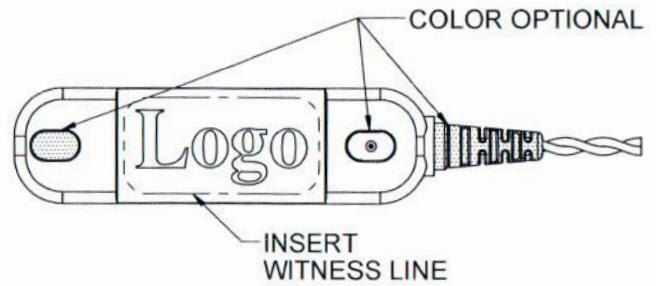
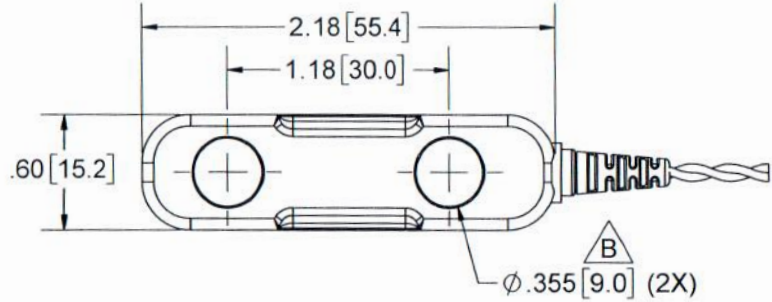
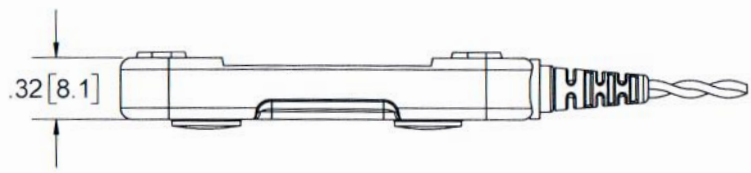
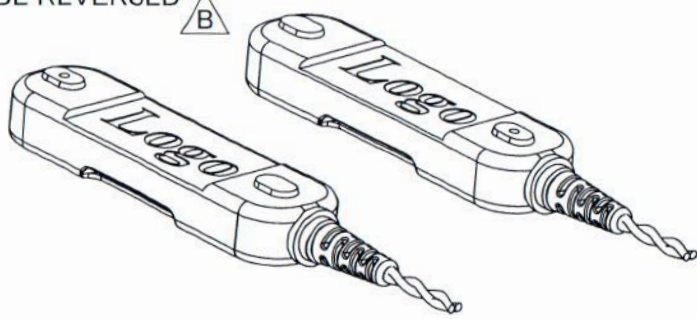


DETAIL A  
SCALE 4:1



POLARITY HUBS MAY  
BE REVERSED



REV	DESCRIPTION	DATE	BY
B	REV PER ECO 19328 TAS 11/29/12 REDRAWN IN SOLIDWORKS	9/12/13	TAS
A	RELEASE PER ECO 911 BB 11/14/94	1/26/95	LL

REVISIONS

THIS DRAWING CONTAINS CONFIDENTIAL AND PROPRIETARY INFORMATION AND MAY NOT BE ISSUED OR REPRODUCED, IN WHOLE, OR IN PART, WITHOUT THE EXPRESS WRITTEN PERMISSION OF P1 TECHNOLOGIES.

TOLERANCES UNLESS OTHERWISE SPECIFIED ALL DIMENSIONS IN INCHES DIMENSIONS IN [ ] METRIC	
FRACTIONAL	$\pm 1/64$
DECIMAL	.00 $\pm$ .01 [.25mm] .000 $\pm$ .005 [.127mm]
ANGULAR	$\pm .5^\circ$

APPROVALS	DATE
DRAWN B BRINDLE	10/27/93
CHECKED <i>Stamp</i>	7/20/20
PROJ ENGR	
APPROVED <i>K. Espey</i>	7/22/2020
PROJECT 1361	FSCM

**P1 Technologies**  
BECAUSE EVERYTHING CONNECTS

6591 Merriman Road, Roanoke, VA 24018  
Phone: 540-772-7950 Fax: 540-989-7519

TITLE  
ELECTRODE, BAR, CV, 887

SCALE 1:1

SIZE	DWG	REV	SHT
A	36429-50	B	1 OF 1