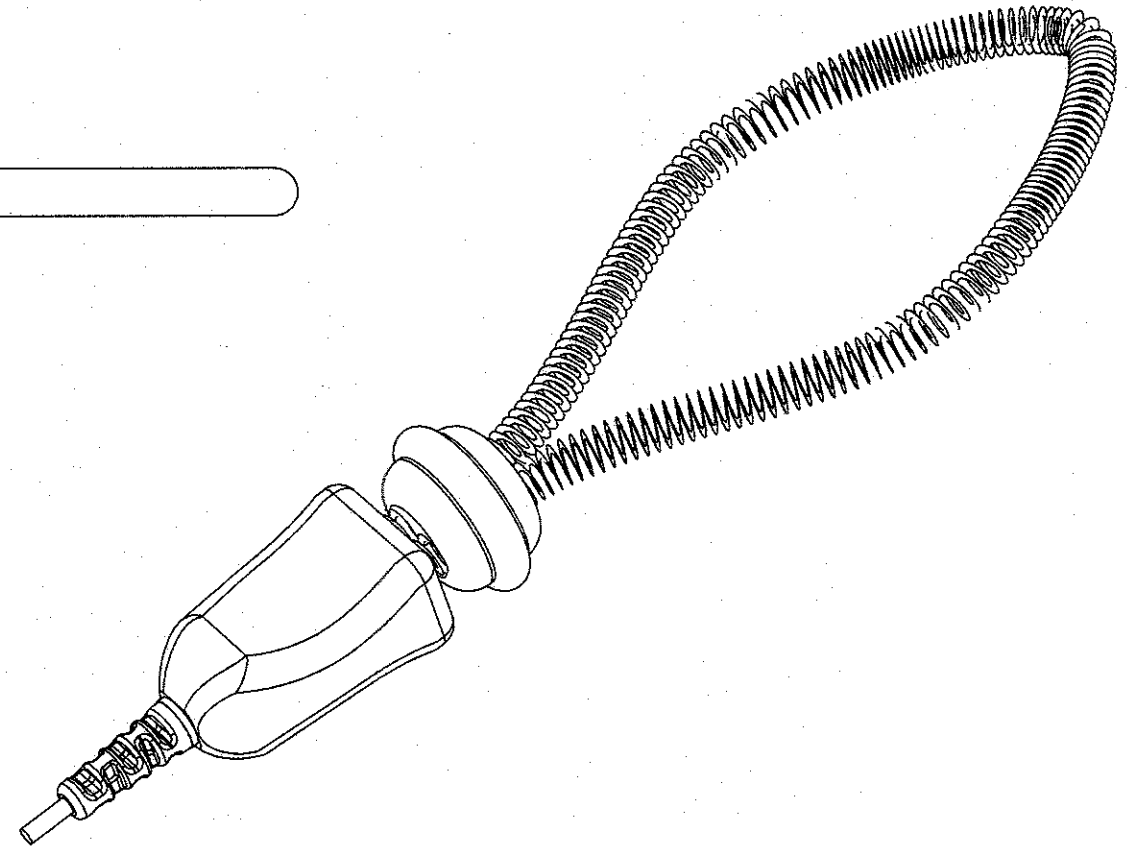
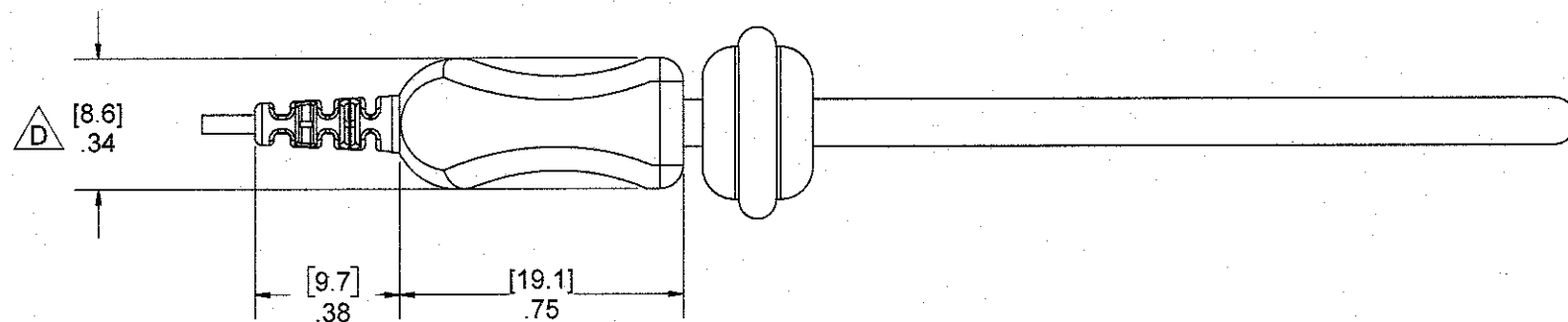
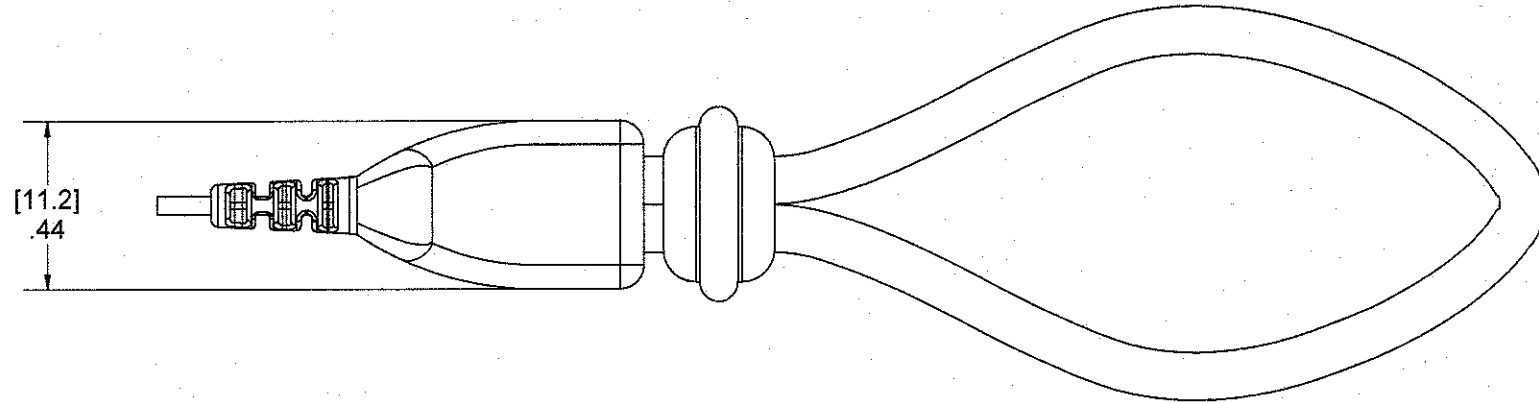
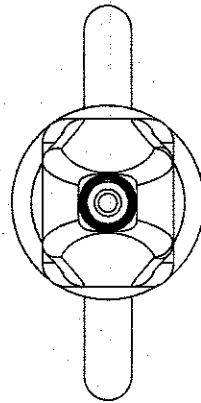


4

3

2

1



$\Delta$	$\Delta$	$\Delta$
ELECTRODE	CIRCUMFERENTIAL LENGTH OF SPRING CABLE	CIRCUMFERENTIAL LENGTH OF BRAIDED CABLE
508	5 1/2" [139.7] +/- 1/4" [6.4]	N/A
528	7" [177.8] +/- 1/4" [6.4]	N/A
522	8 3/4" [222.3] +/- 1/4" [6.4]	N/A
580	N/A	4" [101.6]
581	N/A	10" [254.0]

REV	DESCRIPTION	DATE	BY
D	REV PER ECO 17677 XZ 4/19/12 REDRAWN IN SOLIDWORKS	10/9/12	XZ
C	REV PER ECO 9231 XZ 12/12/05	12/21/05	XZ
B	REV PER ECO #04020 RS 2/5/99	2/17/99	RS
A	RELEASE PER ECO #00592 RS 2/21/94	7/18/94	LL
REVISIONS			

TOLERANCES - UNLESS OTHERWISE SPECIFIED ALL DIMENSIONS IN INCHES DIMENSIONS IN [ ] METRIC		APPROVALS	DATE
FRACTIONAL ±1/64		DRAWN SINCLAIR	10/25/93
DECIMAL .00 ±.01 [.25mm] .000 ±.005 [.127mm]		CHECKED <i>[Signature]</i>	7/16/20
ANGULAR ±.5°		PROJ ENGR	
		APPROVED <i>[Signature]</i>	7/17/2020
		PROJECT 1386	FSCM

 6591 Merriman Road, Roanoke, VA 24018 Phone: 540-772-7950 Fax: 540-989-7519		TITLE	
		ELECTRODE, 508/522/528/580/581 DIGITAL RING	
SCALE		2X	
SIZE	DWG	REV	SHT
B	36498-50	D	1 OF 1

THIS DRAWING CONTAINS CONFIDENTIAL AND PROPRIETARY INFORMATION AND MAY NOT BE ISSUED OR REPRODUCED, IN WHOLE, OR IN PART, WITHOUT THE EXPRESS WRITTEN PERMISSION OF P1 TECHNOLOGIES.

D  
C  
B  
A