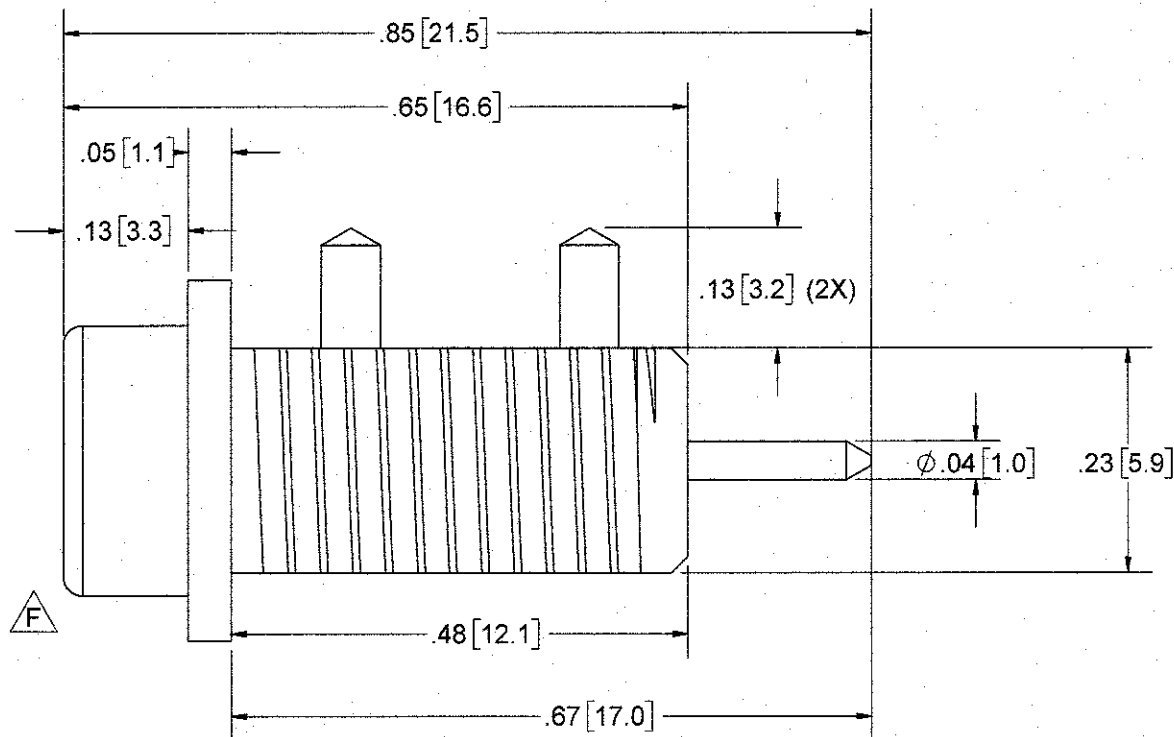
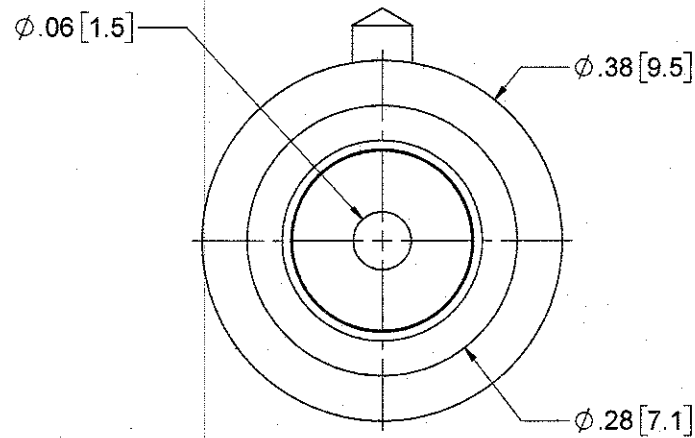
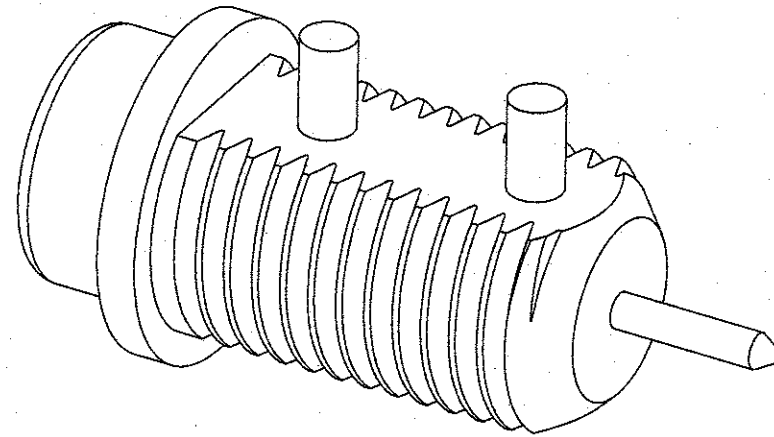
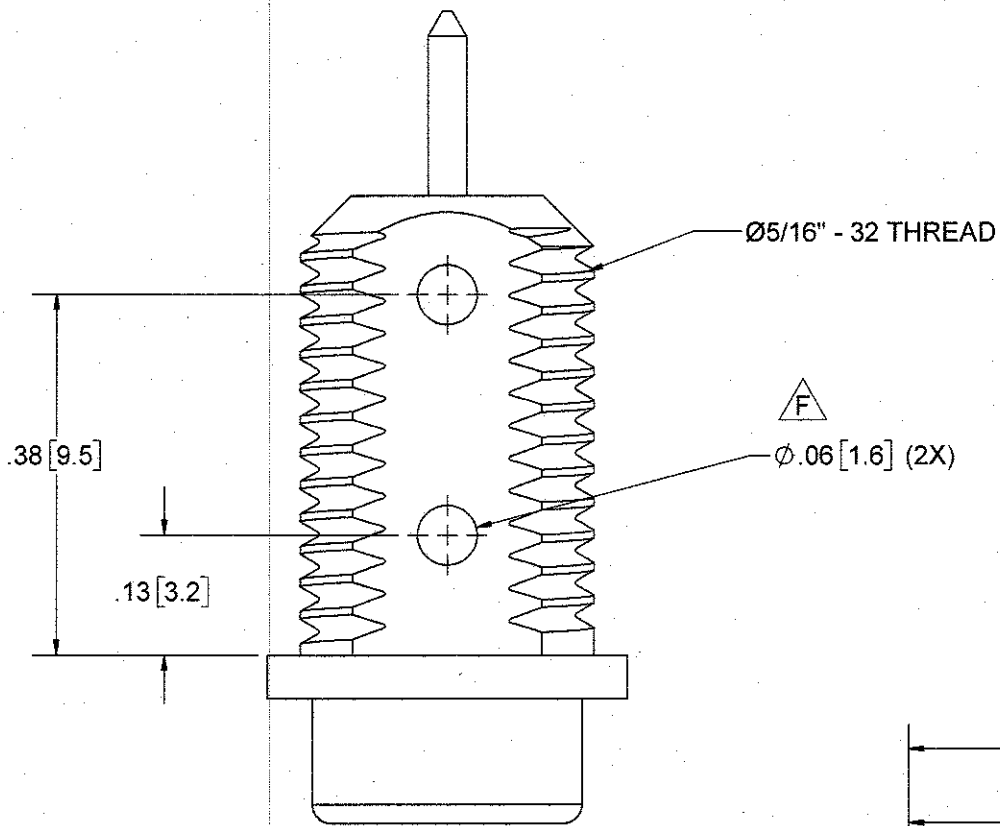


4

3

2

1



- △ F NOTES:**
1. MATERIAL: PBT
OTHER MATERIALS AVAILABLE
 2. SIGNAL CONTACT PLATING: SOFT NICKEL, THEN SOFT GOLD
 3. PIN SETBACK: 0.10" [2.5MM]
EN 60601 TOUCHPROOF
 4. GENERAL PERFORMANCE (CONTACT PIT FOR TEST CONDITIONS)
EXTRACTION FORCE: 3.7 LBS AVERAGE (16.5N)
LIFE CYCLE: 1000+ INSERTION CYCLES
MAX. CURRENT: 11 AMPS
 5. OPERATING TEMPERATURE: +5°C TO +60°C
 6. UL94 V-0/5V
 7. DIN 802 COMPLIANT

THIS DRAWING CONTAINS CONFIDENTIAL AND PROPRIETARY INFORMATION AND MAY NOT BE ISSUED OR REPRODUCED, IN WHOLE, OR IN PART, WITHOUT THE EXPRESS WRITTEN PERMISSION OF P1 TECHNOLOGIES.

REV	DESCRIPTION	DATE	APPVD
F	REV PER ECO 27944 KDS 10/11/16	10/18/16	SLH
E	REV PER ECO 26711 TAS 3/23/16	3/29/16	KE
	REDRAWN IN SOLIDWORKS XZ 10/14/15		
D	REV PER ECO 6198 JS 2/4/02	2/13/02	DMB
C	REV PER ECO 2556 SJ 1/29/97	2/4/97	SJ
B	REV PER ECO 1264 SJ 7/5/95	12/12/95	WON
A	REL PER ECO 596 RS 4/22/94	5/13/94	LL
REVISIONS			

TOLERANCES	
UNLESS OTHERWISE SPECIFIED ALL DIMENSIONS IN INCHES DIMENSIONS IN [] METRIC	
FRACTIONAL	±1/64
DECIMAL	.00 ±.01 [.25mm] .000 ±.005 [.127mm]
ANGULAR	±.5°

APPROVALS	DATE
DRAWN SINCLAIR	10/27/93
CHECKED <i>Xzhan</i>	7/22/20
PROJ ENGR SINCLAIR	10/27/93
APPROVED <i>K. Sperry</i>	7/23/2020
PROJECT 1302	FSCM

P Technologies
BECAUSE EVERYTHING CONNECTS

6591 Merriman Road, Roanoke, VA 24018
Phone: 540-772-7950 Fax: 540-989-7519

TITLE
JACK, PANEL MOUNT, Ø1.5mm

SCALE 5:1

SIZE B	DWG 36502-50	REV F	SHT OF 1
------------------	-----------------	----------	-------------