

4

1

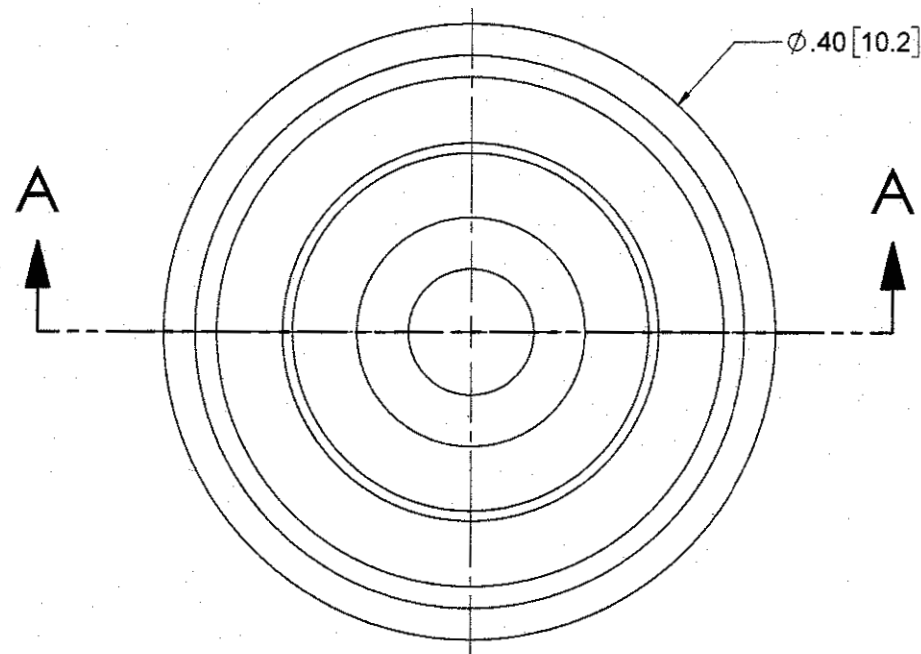
3

1

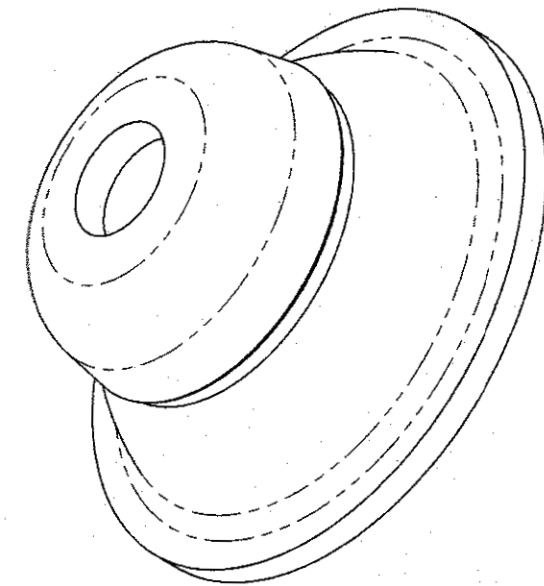
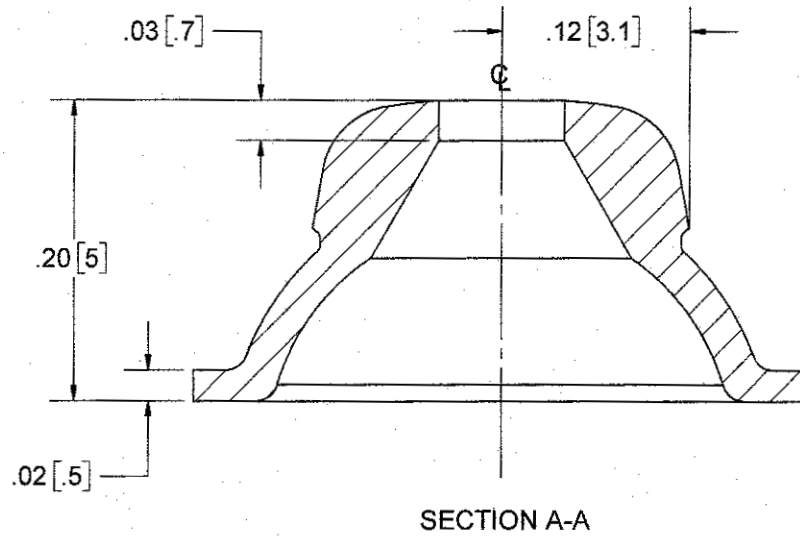
2

1

1



MATERIAL: 40% CARBON-FILLED ABS



THIS DRAWING CONTAINS CONFIDENTIAL AND PROPRIETARY INFORMATION AND MAY NOT BE ISSUED OR REPRODUCED, IN WHOLE, OR IN PART, WITHOUT THE EXPRESS WRITTEN PERMISSION OF P1 TECHNOLOGIES.

REV	DESCRIPTION	DATE	BY
A	RELEASE PER ECO 18584 TAS 8/23/12	8/29/12	TAS
REVISIONS			

TOLERANCES UNLESS OTHERWISE SPECIFIED ALL DIMENSIONS IN INCHES DIMENSIONS IN [] METRIC		APPROVALS DRAWN T. STUMP	DATE 8/23/12	 6591 Merriman Road, Roanoke, VA 24018 Phone: 540-772-7950 Fax: 540-989-7519
FRACTIONAL $\pm 1/64$	CHECKED <i>[Signature]</i>	DATE 3/25/2020	TITLE ELECTRODE, SNAP	
DECIMAL .00 $\pm .01$ [.25mm] .000 $\pm .005$ [.127mm]	PROJECT 1415	APPROVED <i>[Signature]</i>	SCALE 8:1	
ANGULAR $\pm .5^\circ$		PROJECT 1415	FSCM	SIZE B
				DWG 36562-50
				REV A
				SHT 1 OF 1

D

C

B

A