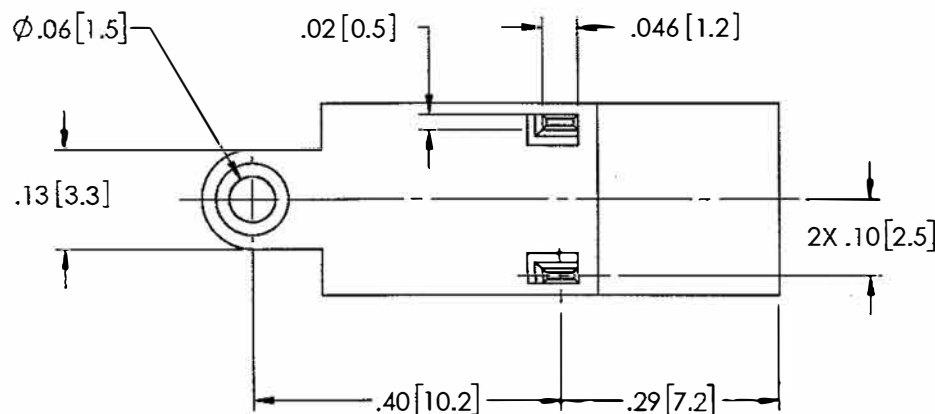


AUX VIEWS  
SCALE: 1:1



NOTES:

1. MATERIAL: PBT
2. SIGNAL CONTACT PLATING: SOFT NICKEL, THEN SOFT GOLD
3. DUMMY CONTACT PLATING: SOFT NICKEL
4. PIN SETBACK: 0.08" (EN 60601 TOUCHPROOF)
5. GENERAL PERFORMANCE (CONTACT P1T FOR TEST CONDITIONS)  
EXTRACTION FORCE: 2-7 LBS  
LIFE CYCLE: 1000+ INSERTIONS  
HIPOT: 1000 VAC  
MAX. CURRENT: 8 A
6. OPERATING TEMPERATURE: +5° C to +60° C
7. UL94 V-0/5V
8. NOT RECOMMENDED FOR WAVE SOLDERING. REFER TO P1T 41828 OR 41829 FOR WAVE SOLDERABLE OPTIONS.



REV	DESCRIPTION	DATE	APPVD
H	REV PER ECO 38587 TAH 1/4/23	1/18/23	SLH
G	REV PER ECO 24909 / SLH 11/19/15	3/2/16	SLH
F	REV PER ECO 10990 /GS 01/18/08	1/31/08	JO
E	REV PER ECO 10367/BB 02/26/07	03/01/07	BB
REDRAWN IN SOLID WORKS/BB 02/26/07			
D	REV PER ECO 10043 JP 10/09/06	10/18/06	JAP
C	REV PER ECO 02187 /RS 08/09/96	08/14/96	RS
B	REV PER ECO 1268/SJ 07/05/95	07/05/95	WN
A	RELEASE PER ECO 00596/RS 04/26/94	05/04/94	RS

TOLERANCES  
UNLESS OTHERWISE SPECIFIED  
ALL DIMENSIONS IN INCHES  
DIMENSIONS IN [ ] METRIC

FRACTIONAL  
 $\pm 1/64$

DECIMAL  
.00  $\pm$  .01 [.25mm]  
.000  $\pm$  .005 [.127mm]

ANGULAR  
 $\pm .5^\circ$

APPROVALS	DATE
DRAWN BBRINDLE	01/31/94
CHECKED <i>[Signature]</i>	1/4/23
PROJ ENGR	
APPROVED <i>[Signature]</i>	1/4/23
PROJECT 1432	FSCM

**P Technologies**  
BECAUSE EVERYTHING CONNECTS

6591 Merriman Road, Roanoke, VA 24018  
Phone: 540-772-7950 Fax: 540-989-7519

TITLE JACK, PCB, 1.5mm, TOUCH PROOF		SCALE 4:1	
SIZE A	DWG 36619-50	REV H	SHT 1 OF 1

THIS DRAWING CONTAINS CONFIDENTIAL AND PROPRIETARY INFORMATION AND MAY NOT BE ISSUED OR REPRODUCED, IN WHOLE, OR IN PART, WITHOUT THE EXPRESS WRITTEN PERMISSION OF P1 TECHNOLOGIES.