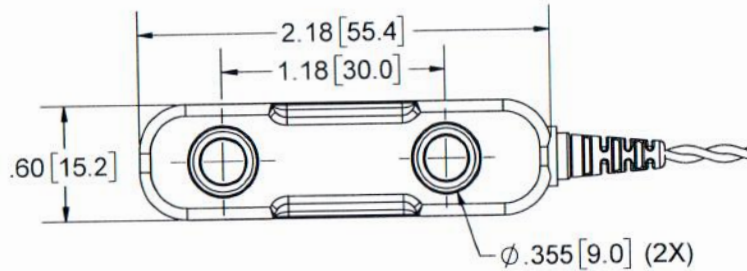
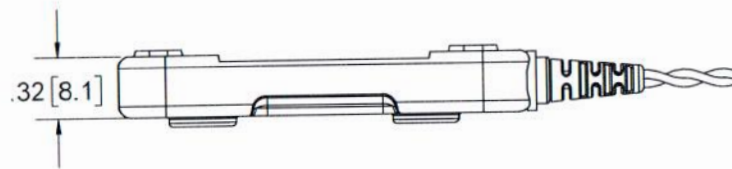
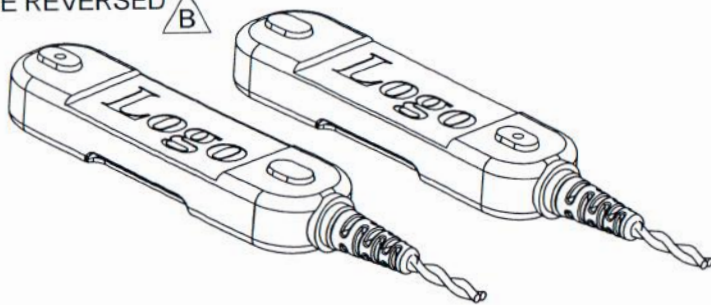


POLARITY HUBS MAY BE REVERSED



REV	DESCRIPTION	DATE	BY
B	REV PER ECO 19328 TAS 11/30/12 REDRAWN IN SOLIDWORKS	9/12/13	TAS
A	RELEASE PER ECO 911 BB 11/14/94	1/26/95	LL

REVISIONS

THIS DRAWING CONTAINS CONFIDENTIAL AND PROPRIETARY INFORMATION AND MAY NOT BE ISSUED OR REPRODUCED, IN WHOLE, OR IN PART, WITHOUT THE EXPRESS WRITTEN PERMISSION OF P1 TECHNOLOGIES.

TOLERANCES UNLESS OTHERWISE SPECIFIED ALL DIMENSIONS IN INCHES DIMENSIONS IN [ ] METRIC		APPROVALS	DATE
FRACTIONAL ±1/64	DECIMAL .00 ±.01 [.25mm] .000 ±.005 [.127mm]	DRAWN B BRINDLE	3/31/94
ANGULAR ±.5°		CHECKED <i>T. Stump</i>	7/20/20
		PROJ ENGR	
		APPROVED <i>K. Spauldy</i>	7/22/2020
		PROJECT 1361	FSCM



6591 Merriman Road, Roanoke, VA 24018  
Phone: 540-772-7950 Fax: 540-989-7519

TITLE  
ELECTRODE, BAR, FELT TIP, 890

SCALE 1:1

SIZE A	DWG 36653-50	REV B	SHT OF 1
-----------	-----------------	----------	-------------