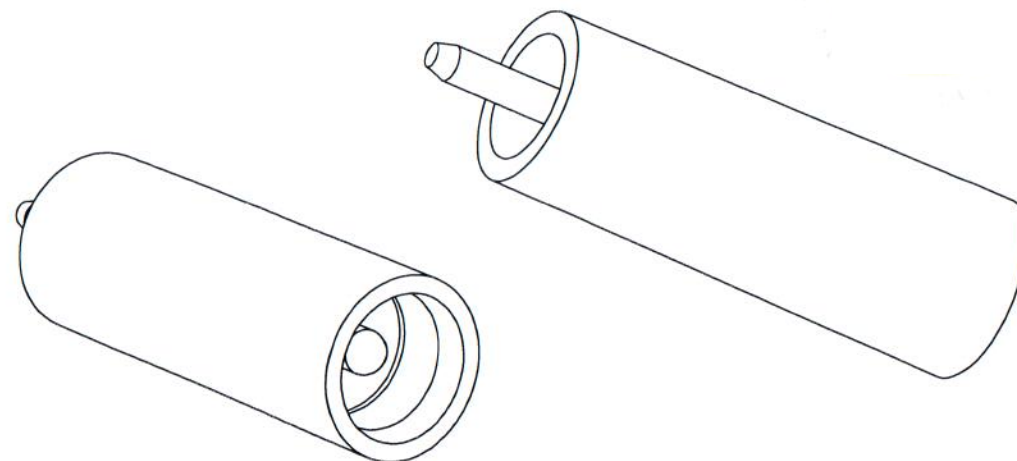


NOTES:

1. MATERIAL: PBT  
OTHER MATERIALS AVAILABLE
2. SIGNAL CONTACT PLATING: SOFT NICKEL, THEN SOFT GOLD
3. PIN SETBACK: 0.06" (1.5 mm)  
EN 60601 TOUCHPROOF
4. GENERAL PERFORMANCE (CONTACT POI FOR TEST CONDITIONS)  
EXTRACTION FORCE: 1.9 LBS MINIMUM (8.5 N)  
LIFE CYCLE: 1000+ INSERTION CYCLES  
MAX. CURRENT: 8 AMPS
5. OPERATING TEMPERATURE: +5° C to + 60° C
6. UL94 V-0/5V
7. WAVE SOLDERABLE
8. MATES WITH 441 (881), 503, 455, 592
9. DIN 42-802 TYPE BU
10. MAX FLASH .003"



E	REV PER ECO 31956 XZ 8/31/18	9/26/18	SLH
	REDRAWN IN SOLIDWORKS TAS 7/22/13		
D	REV PER ECO 5781 BB 7/20/01	1/2/02	BB
C	REV PER ECO 5036 BB 6/13/00	6/20/01	BB
B	REV PER ECO 1266 SJ 7/7/95	12/12/95	WON
A	RELEASE PER ECO 844 BB 9/9/94	9/30/94	LJL
REV	DESCRIPTION	DATE	BY

REVISIONS

THIS DRAWING CONTAINS CONFIDENTIAL AND PROPRIETARY INFORMATION AND MAY NOT BE ISSUED OR REPRODUCED, IN WHOLE, OR IN PART, WITHOUT THE EXPRESS WRITTEN PERMISSION OF P1 TECHNOLOGIES.

<b>TOLERANCES</b> UNLESS OTHERWISE SPECIFIED ALL DIMENSIONS IN INCHES DIMENSIONS IN [ ] METRIC	APPROVALS	DATE	BECAUSE EVERYTHING CONNECTS 6591 Merriman Road, Roanoke, VA 24018 Phone: 540-772-7950 Fax: 540-989-7519
	DRAWN B BRINDLE	1/31/94	
<b>FRACTIONAL</b> ±1/64	CHECKED WDS	7/14/20	TITLE JACK, PCB, 1.5mm TOUCHPROOF
	PROJ ENGR		
<b>DECIMAL</b> .00 ±.01 [.25mm] .000 ±.005 [.127mm]	APPROVED K Spauldy	7/16/2020	SCALE 4:1
	PROJECT 7189	FSCM	SIZE DWG A 36659-50
<b>ANGULAR</b> ±.5°			REV E SHT 1 OF 1