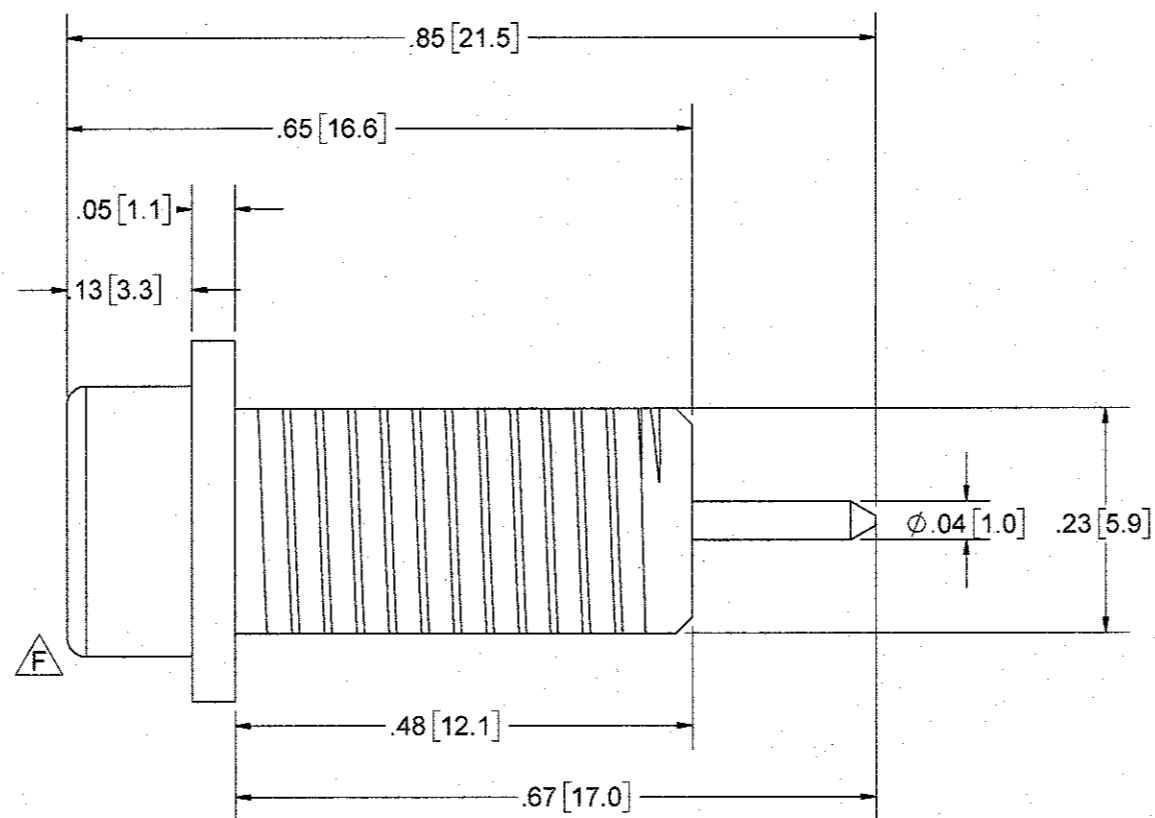
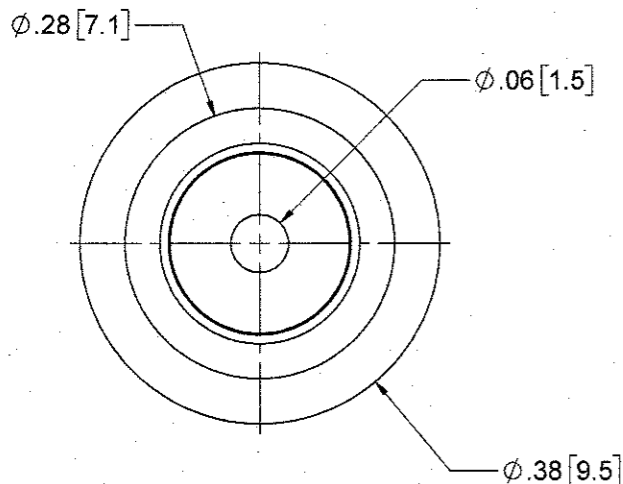
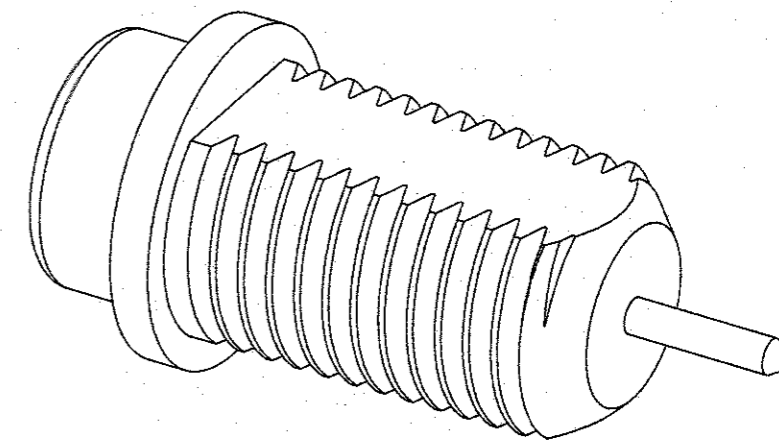
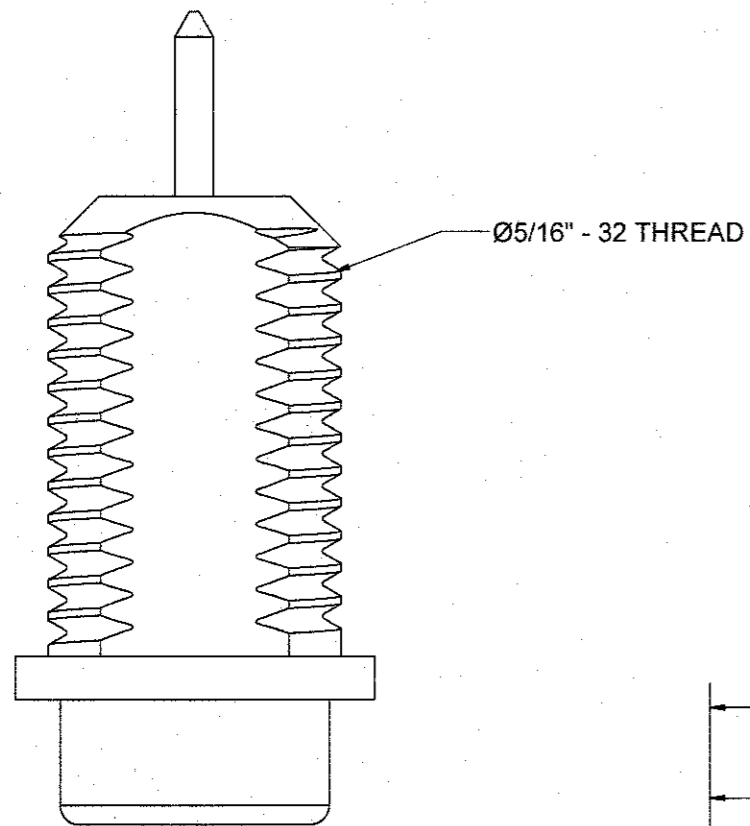


4

3

2

1



- NOTES:**
1. MATERIAL: PBT
OTHER MATERIALS AVAILABLE
 2. SIGNAL CONTACT PLATING: SOFT NICKEL, THEN SOFT GOLD
 3. PIN SETBACK: 0.10" [2.5MM]
EN 60601 TOUCHPROOF
 4. GENERAL PERFORMANCE (CONTACT PIT FOR TEST CONDITIONS)
EXTRACTION FORCE: 3.7 LBS AVERAGE (16.5N)
LIFE CYCLE: 1000+ INSERTION CYCLES
MAX. CURRENT: 11 AMPS
 5. OPERATING TEMPERATURE: +5°C TO +60°C
 6. UL94 V-0/5V
 7. DIN 802 COMPLIANT

REV	DESCRIPTION	DATE	APPVD
F	REV PER ECO 27944 KDS 10/11/16	10/18/16	SLH
E	REV PER ECO 26711 TAS 3/23/16	3/29/16	KE
	REDRAWN IN SOLIDWORKS XZ 10/14/15		
D	REV PER ECO 3390 GSOX 2/24/98	3/4/98	GSOX
C	REV PER ECO 2556 SJ 1/29/97	2/4/97	SJ
B	REV PER ECO 1264 SJ 7/5/95	12/12/96	SJ
A	REL PER ECO 714 RS 6/9/94	6/22/94	RS
REVISIONS			

TOLERANCES
UNLESS OTHERWISE SPECIFIED ALL DIMENSIONS IN INCHES DIMENSIONS IN [] METRIC
FRACTIONAL ±1/64
DECIMAL .00 ±.01 [.25mm] .000 ±.005 [.127mm]
ANGULAR ±.5°

APPROVALS	DATE
DRAWN SINCLAIR	2/23/94
CHECKED WDS	7/14/20
PROJ ENGR SINCLAIR	2/23/94
APPROVED R. Sperry	7/14/20
PROJECT 1302	FSCM

P Technologies <small>BECAUSE EVERYTHING CONNECTS</small>	
6591 Merriman Road, Roanoke, VA 24018 Phone: 540-772-7950 Fax: 540-989-7519	
TITLE JACK, PANEL MOUNT, Ø1.5mm	
SCALE 5:1	
SIZE B	DWG 36671-50
REV F	SHT OF 1

THIS DRAWING CONTAINS CONFIDENTIAL AND PROPRIETARY INFORMATION AND MAY NOT BE ISSUED OR REPRODUCED, IN WHOLE, OR IN PART, WITHOUT THE EXPRESS WRITTEN PERMISSION OF P1 TECHNOLOGIES.