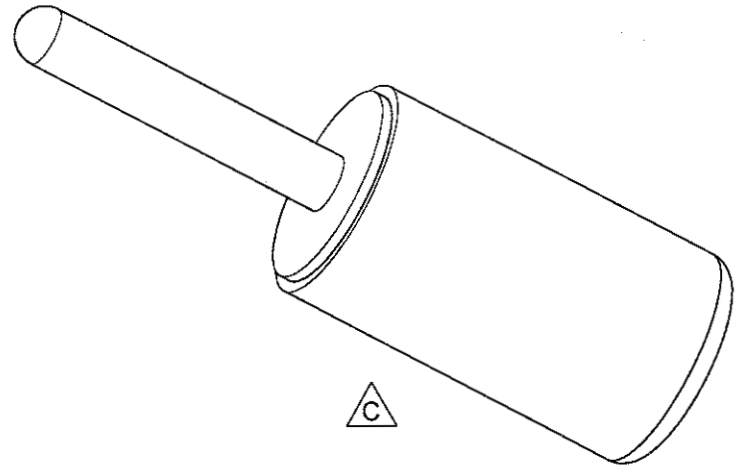



- NOTES:**
1. MATERIAL: PBT
OTHER MATERIALS AVAILABLE
 2. SIGNAL CONTACT PLATING: SOFT NICKEL, THEN SOFT GOLD
 3. PIN SETBACK: 0.08" (2 mm)
EN 60601 TOUCHPROOF
 4. GENERAL PERFORMANCE (CONTACT P1T FOR TEST CONDITIONS)
EXTRACTION FORCE: 2.7 lbs. average (12.1 N)
LIFE CYCLE: 1000+ INSERTION CYCLES
MAX. CURRENT: 8 AMPS
 5. OPERATING TEMPERATURE: +5° C to + 60° C
 6. UL94 V-0/5V
 7. MATES WITH 441 (881), 503, 455, 592
 8. DIN 42-802 Type BU



REVISIONS				TOLERANCES		APPROVALS		DATE		 BECAUSE EVERYTHING CONNECTS	
C	REV PER ECO 38586 XZ 1/4/22 REDRAWN SOLIDWORKS	1/12/22	SA	UNLESS OTHERWISE SPECIFIED ALL DIMENSIONS IN INCHES DIMENSIONS IN [] METRIC		DRAWN	W.Carter	4/21/94		6591 Merriman Road, Roanoke, VA 24018 Phone: 540-772-7950 Fax: 540-989-7519	
B	REL PER ECO 892 10/25/94 SAJ	10/25/94	LL	FRACTIONAL ±1/64		CHECKED	<i>J. Rehok</i>	1/5/22		TITLE ADAPTER, 36740, 1.5/2.0mm	
A	REL PER ECO 713 6/23/94 WSC	6/23/94	LL	DECIMAL .00 ±.01 [.25mm] .000 ±.005 [.127mm]		PROJ ENGR				SCALE 4:1	
REV	DESCRIPTION	DATE	BY	ANGULAR ±.5°		APPROVED	<i>J. Rehok</i>	1/5/22		SIZE	DWG
						PROJECT	FSCM			A	36740-50
THIS DRAWING CONTAINS CONFIDENTIAL AND PROPRIETARY INFORMATION AND MAY NOT BE ISSUED OR REPRODUCED, IN WHOLE, OR IN PART, WITHOUT THE EXPRESS WRITTEN PERMISSION OF P1 TECHNOLOGIES.										REV	SHT
										C	1
										OF	1