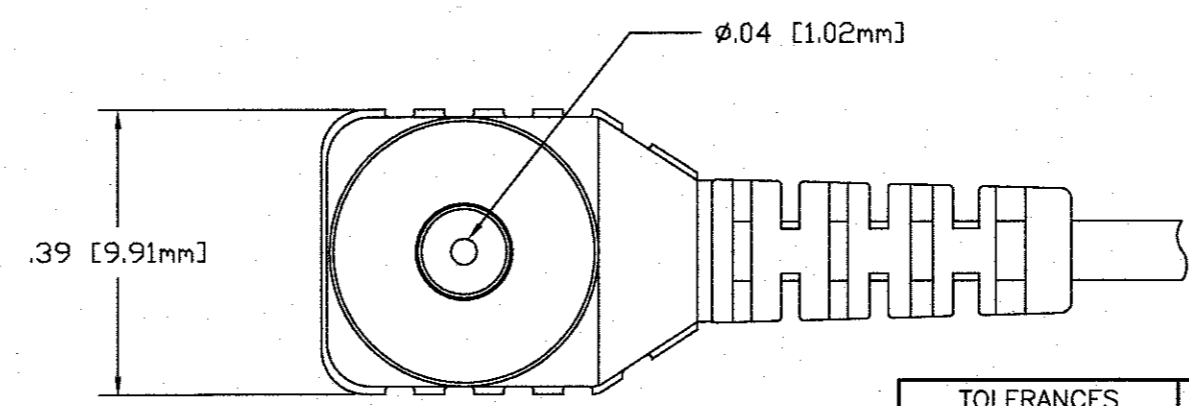
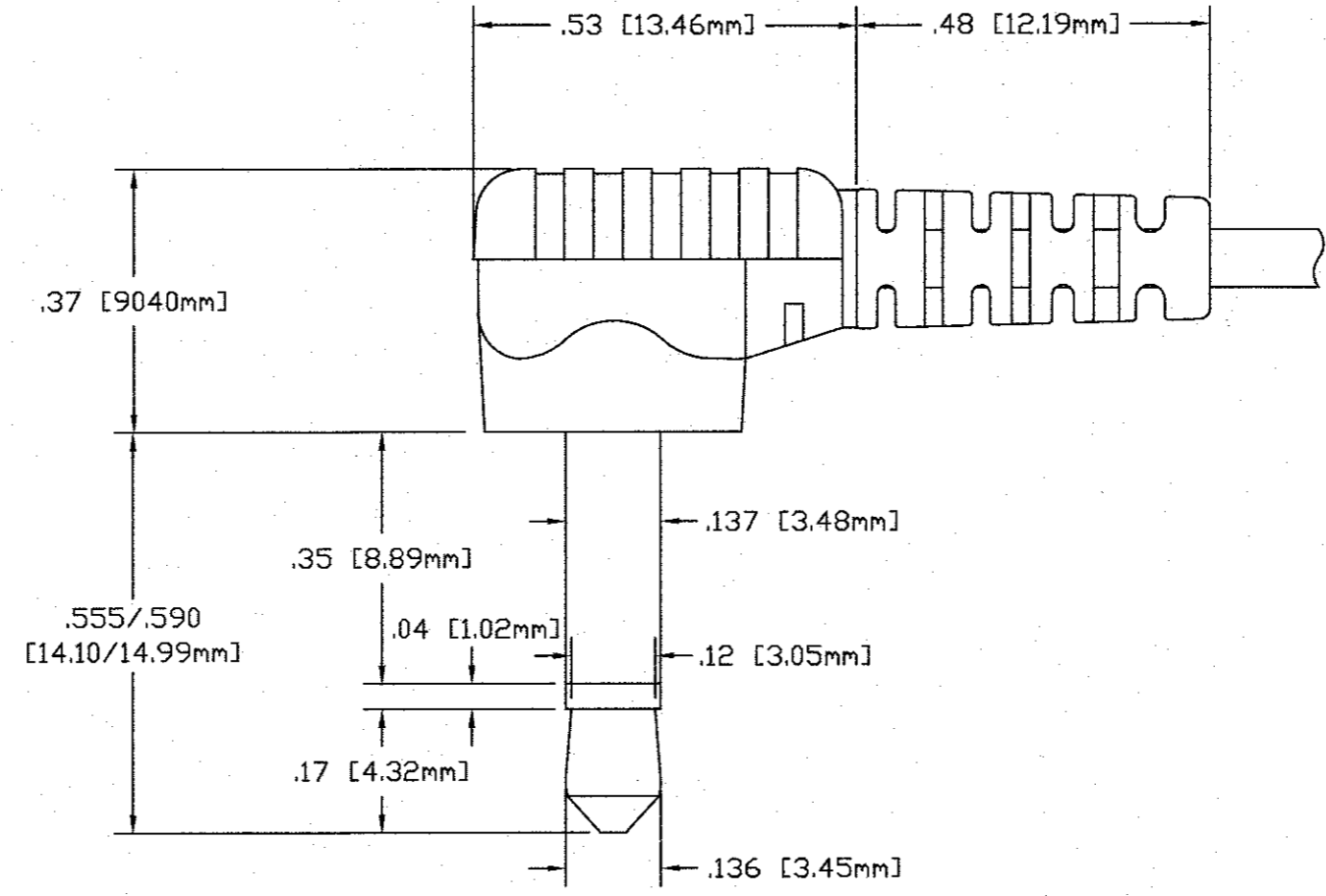
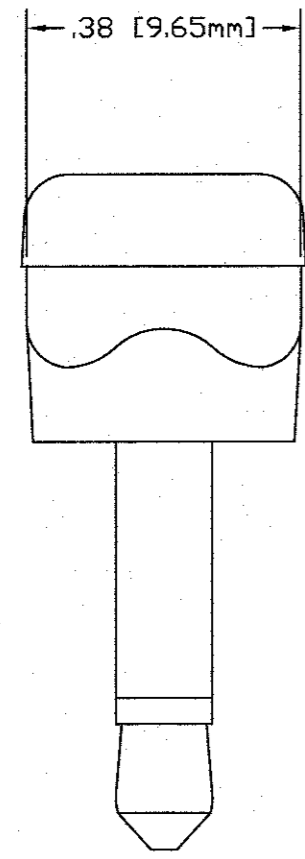


THIS DRAWING CONTAINS PROPRIETARY INFORMATION AND MAY NOT BE ISSUED OR REPRODUCED, IN WHOLE OR IN PART, WITHOUT EXPRESS WRITTEN PERMISSION OF PLASTICS ONE INC



THIS DRAWING CONTAINS CONFIDENTIAL AND PROPRIETARY INFORMATION AND MAY NOT BE ISSUED OR REPRODUCED, IN WHOLE, OR IN PART, WITHOUT THE EXPRESS WRITTEN PERMISSION OF P1 TECHNOLOGIES.

B	REV PER ECO 2142 SJ 8/15/96	8/28/96	KG
A	REL PER ECO 989 SJ 2/16/95	3/1/95	Larson
REV.	DESCRIPTION	APPROVAL DATE	APPROVED BY

TOLERANCES UNLESS OTHERWISE SPECIFIED ALL DIMENSIONS IN INCHES DIMENSIONS IN [] METRIC FRACTIONAL ±1/64 DECIMAL .00 ±.01 [.25mm] .000 ±.005 [.127mm] ANGULAR ±.5°	APPROVALS	DATE
	DRAWN JAMISON	2/16/95
	CHECKED <i>XZhan</i>	7/10/2000
	PROJ ENGR	
	APPROVED <i>Larson</i>	3/1/95
PROJECT	FSCM	

Technologies
 BECAUSE EVERYTHING CONNECTS
 6591 Merriman Road, Roanoke, VA 24018
 Phone: 540-772-7950 Fax: 540-989-7519

TITLE PLUG, 242		SCALE 4:1	
SIZE B	DWG 37001-50	REV B	SHT 1 OF 1