

4

|

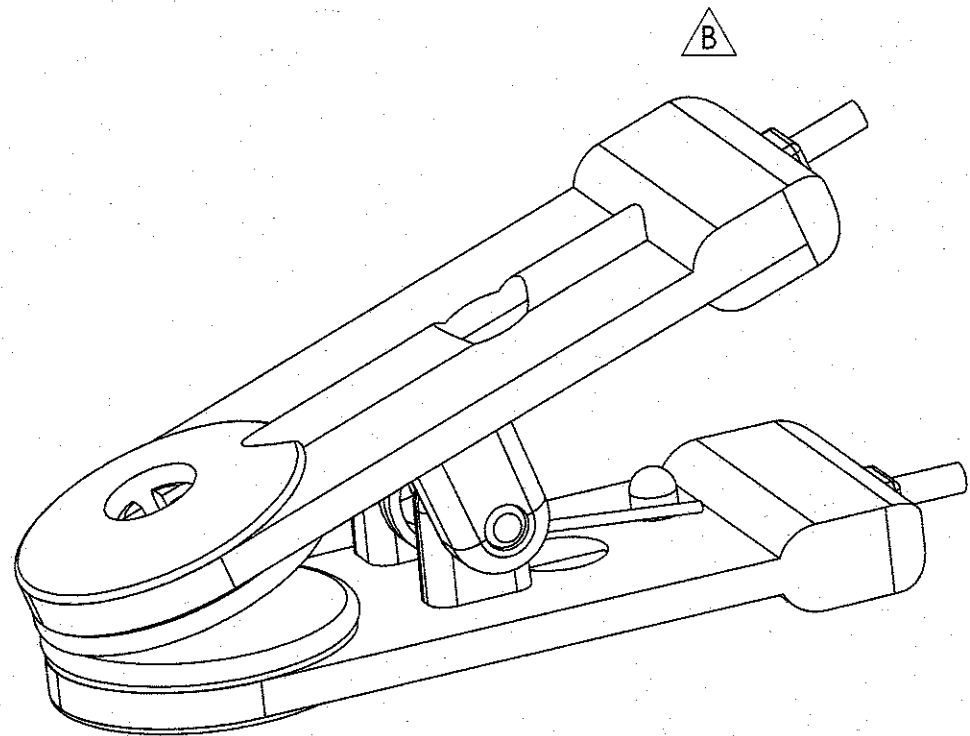
3

|

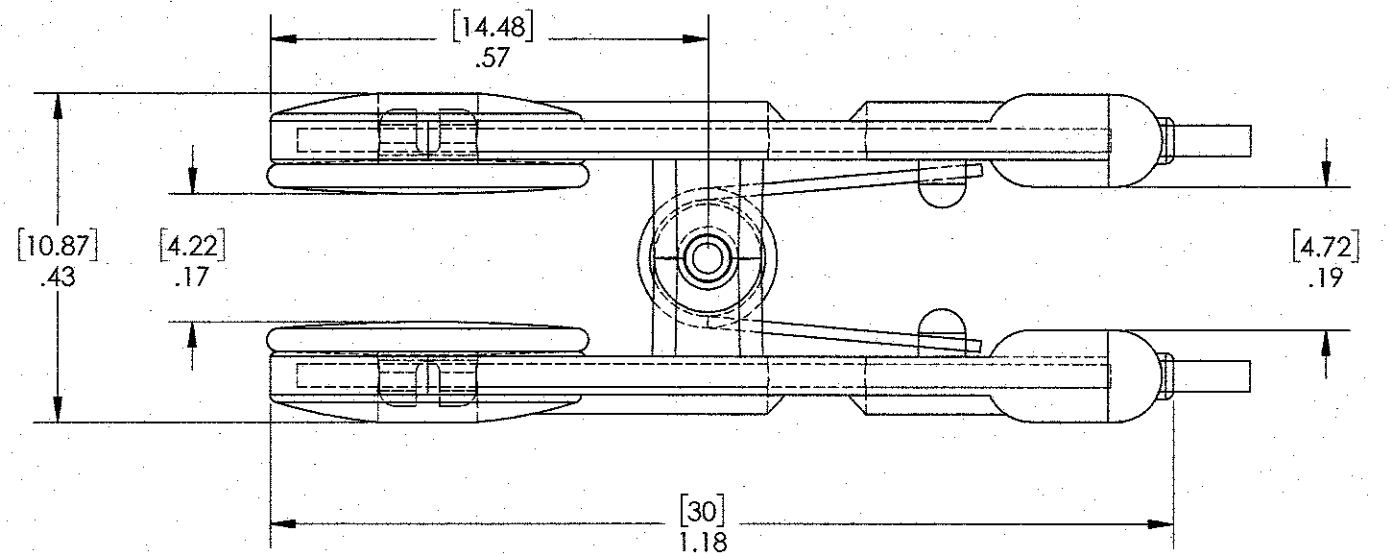
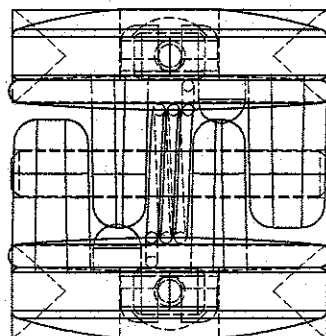
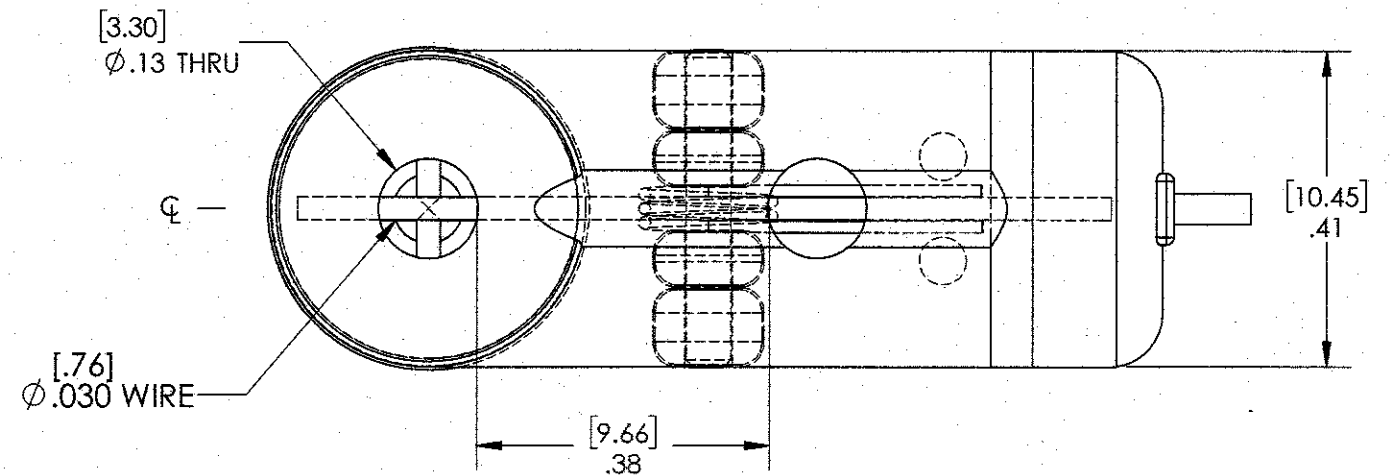
2

|

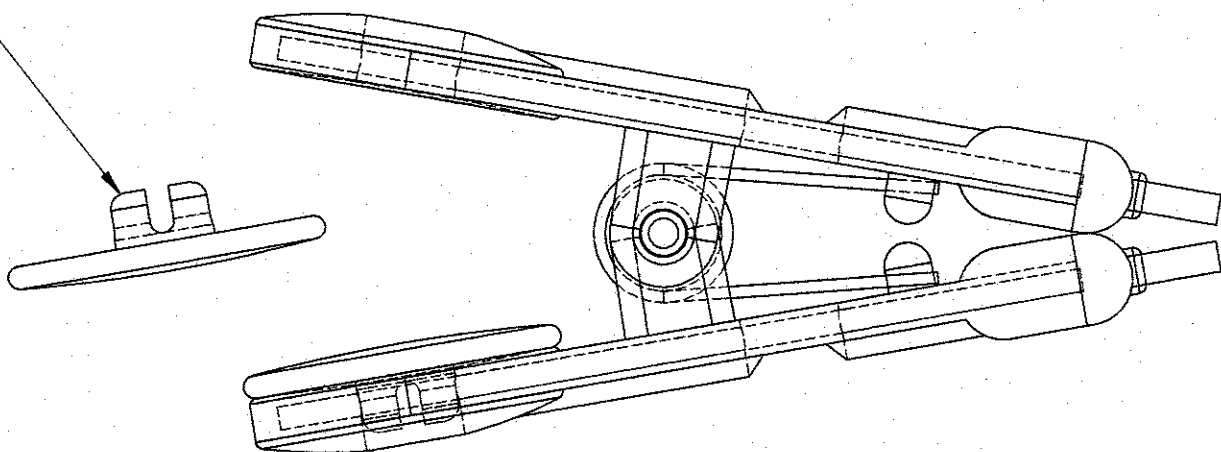
1



B



SILVER/SILVER CHLORIDE SNAP ON ELECTRODE DISK



THIS DRAWING CONTAINS CONFIDENTIAL AND PROPRIETARY INFORMATION AND MAY NOT BE ISSUED OR REPRODUCED, IN WHOLE, OR IN PART, WITHOUT THE EXPRESS WRITTEN PERMISSION OF P1 TECHNOLOGIES.

| REV | DESCRIPTION  | DATE     | BY |
|-----|--|----------|----|
| B   | REV PER ECO 37442 XZ 2/22/21 REDRAWN IN SOLIDWORKS | 3/3/21   | RS |
| A   | REL PER ECO 1481 SJ 10/23/95                       | 11/10/95 | SJ |

|   |  |  |   |   |
|---|--|--|---|---|
| <b>TOLERANCES</b><br>UNLESS OTHERWISE SPECIFIED<br>ALL DIMENSIONS IN INCHES<br>DIMENSIONS IN [ ] METRIC |  | <b>APPROVALS</b><br>DRAWN<br>RSINCLAIR | <b>DATE</b><br>1/24/95                  | <br>BECAUSE EVERYTHING CONNECTS<br>6591 Merriman Road, Roanoke, VA 24018<br>Phone: 540-772-7950 Fax: 540-989-7519 |
| <b>FRACTIONAL</b><br>$\pm 1/64$   |  | CHECKED<br>WDS                         | DATE<br>2/23/21                         |   |
| <b>DECIMAL</b><br>.00 $\pm 0.01$ [.25mm]<br>.000 $\pm 0.005$ [.127mm]                                   |  | PROJ ENGR                              | TITLE<br>CLIP, ASSEMBLY, EAR, 407, 10mm | SCALE 4:1<br>SIZE DWG<br>B 37054-50   |
| <b>ANGULAR</b><br>$\pm .5^\circ$  |  | APPROVED<br>R. Spady                   | DATE<br>2/23/21                         |   |
| <b>REVISIONS</b>  |  | PROJECT<br>1509                        | FSCM                                    |   |

D

C

B

A