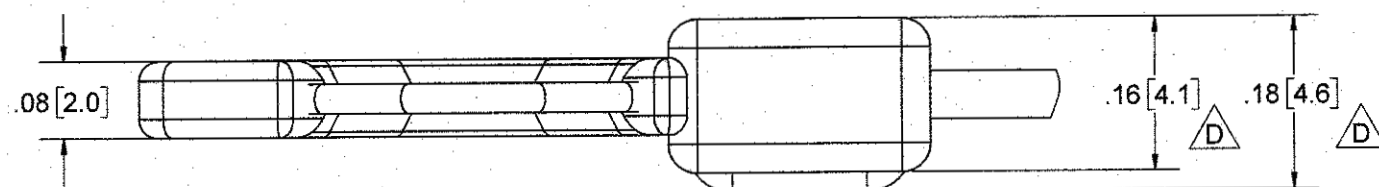
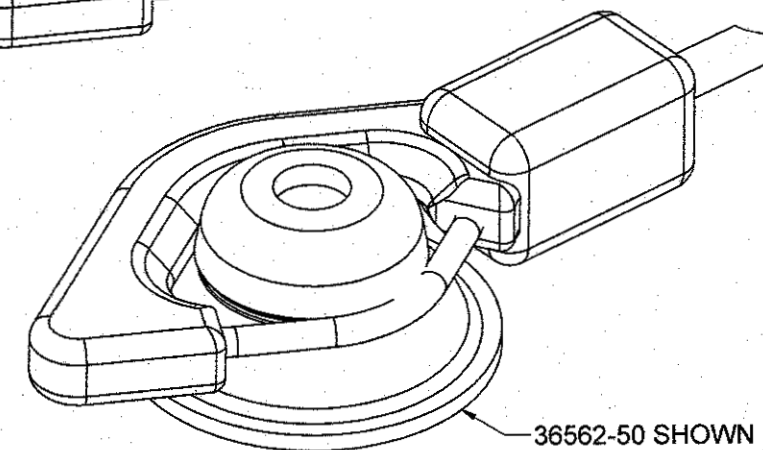
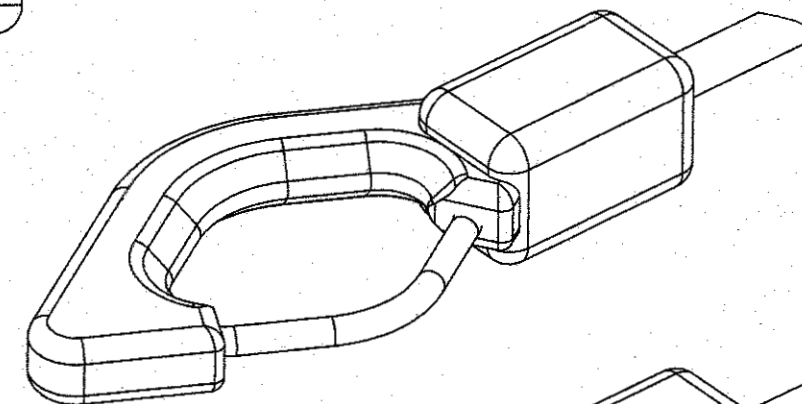
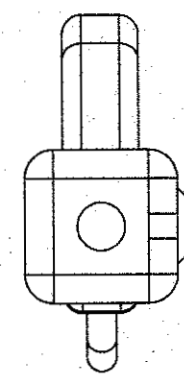
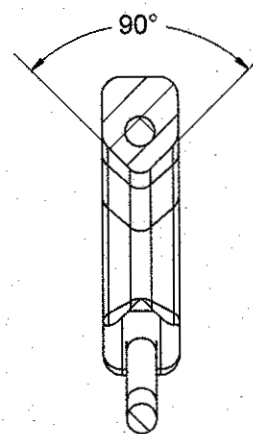
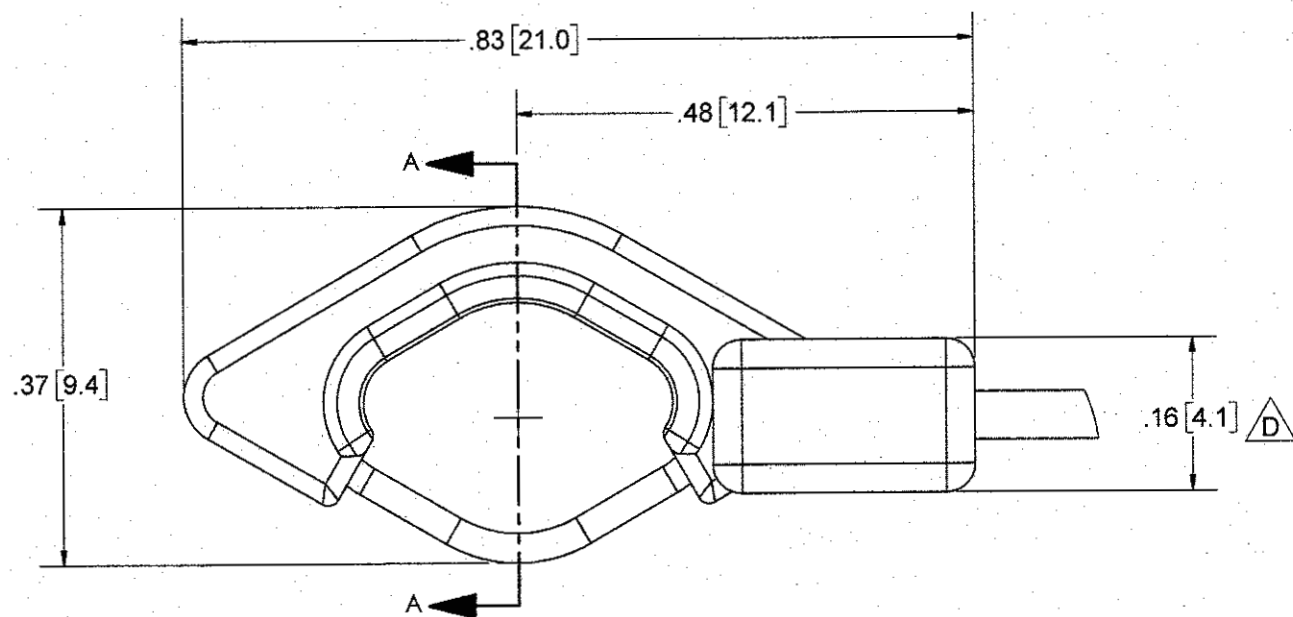


4

3

2

1



REV	DESCRIPTION	DATE	BY
D	REV PER ECO 38625 TAH 12/30/21 REDRAWN IN SOLIDWORKS TAS 7/17/14	2/2/22	SLR
C	REV PER ECO 2221 RTS 8/22/96	9/5/96	RTS
B	REV PER ECO 2187 RTS 8/9/96	8/14/96	RTS
A	RELEASE PER ECO 1289 RTS 6/21/95	6/29/96	LL

TOLERANCES UNLESS OTHERWISE SPECIFIED ALL DIMENSIONS IN INCHES DIMENSIONS IN [ ] METRIC	
FRACTIONAL	±1/64
DECIMAL	.00 ±.005 [.127mm] .000 ±.001 [.025mm] .0000 ±.0005 [.0127mm]
ANGULAR	±.5°

APPROVALS	DATE
DRAWN SINCLAIR	12/23/93
CHECKED X zhm	1/11/22
PROJ ENGR	
APPROVED J. Rende	1/19/22
PROJECT 1415	FSCM

<b>P Technologies</b> BECAUSE EVERYTHING CONNECTS	
6591 Merriman Road, Roanoke, VA 24018 Phone: 540-772-7950 Fax: 540-989-7519	
TITLE CONNECTOR, 238, FOR DISPOSABLE ELECTRODE	
TOOLING	MOLD CLASS
SCALE	5:1
SIZE	DWG
B	37296-50
REV	D
SHT	1 OF 1

THIS DRAWING CONTAINS CONFIDENTIAL AND PROPRIETARY INFORMATION AND MAY NOT BE ISSUED OR REPRODUCED, IN WHOLE, OR IN PART, WITHOUT THE EXPRESS WRITTEN PERMISSION OF P1 TECHNOLOGIES.

D  
C  
B  
A