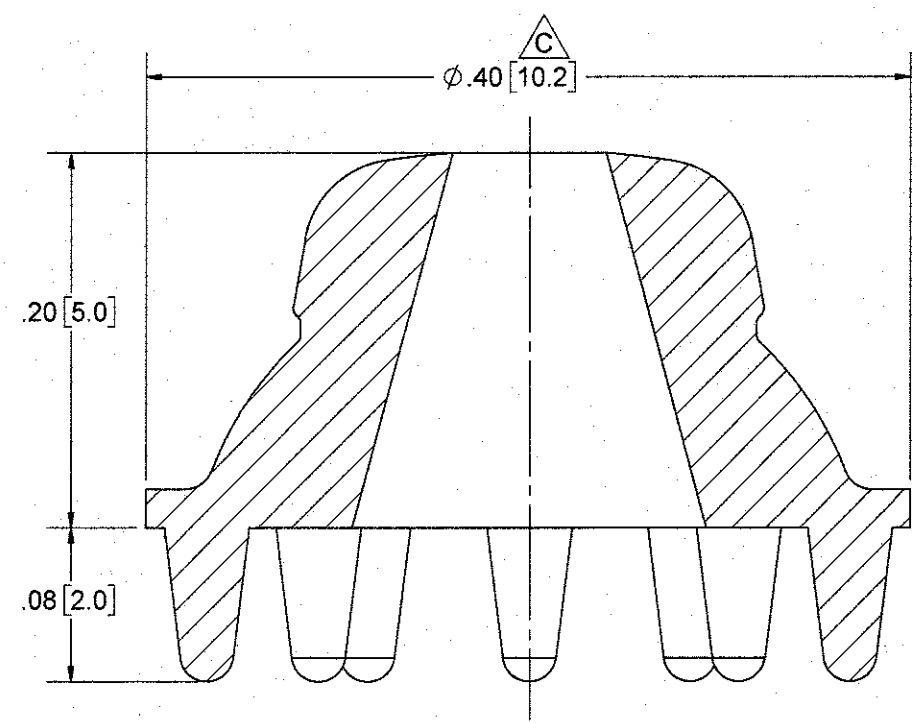
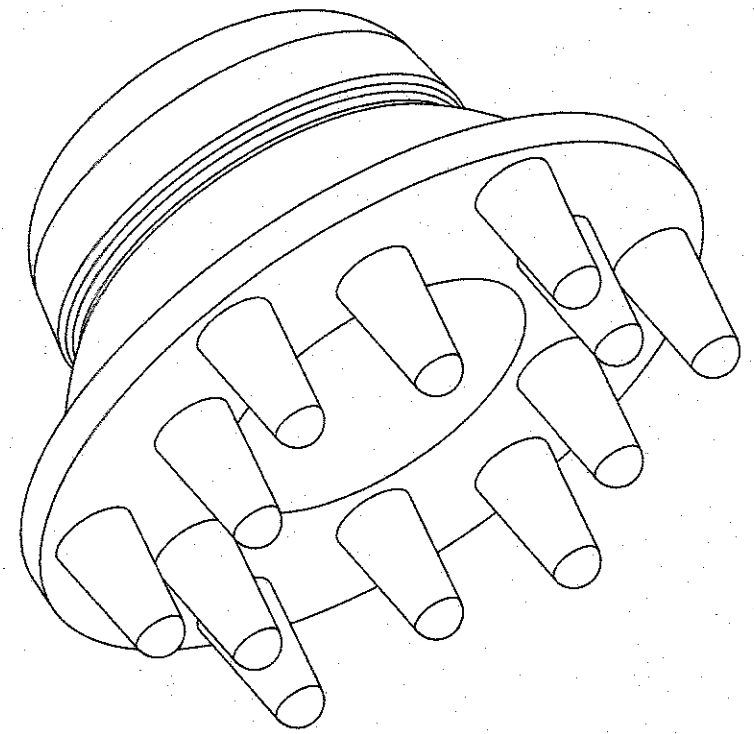
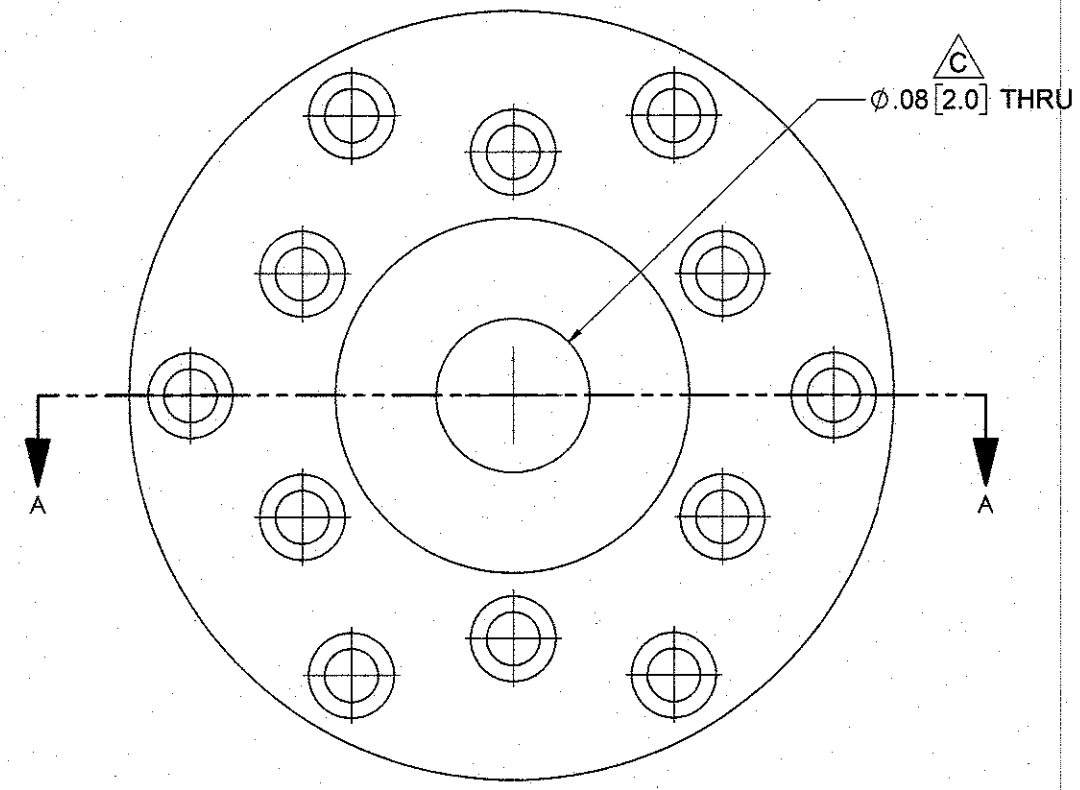


4 | | 3 | | 2 | | 1



SECTION A-A

MATERIAL: CARBON-FILLED ABS



THIS DRAWING CONTAINS CONFIDENTIAL AND PROPRIETARY INFORMATION AND MAY NOT BE ISSUED OR REPRODUCED, IN WHOLE, OR IN PART, WITHOUT THE EXPRESS WRITTEN PERMISSION OF P1 TECHNOLOGIES.

REV	DESCRIPTION	DATE	BY
C	REV PER ECO 22793 TAS 7/18/14 REDRAWN IN SOLIDWORKS	7/23/14	TAS
B	REV PER ECO 18584 TAS 8/23/12	8/29/12	TAS
A	RELEASE PER ECO 4903 XZ 3/30/00	4/5/00	JR
REVISIONS			

TOLERANCES UNLESS OTHERWISE SPECIFIED ALL DIMENSIONS IN INCHES DIMENSIONS IN [] METRIC	APPROVALS	DATE	 P1 Technologies <small>BECAUSE EVERYTHING CONNECTS</small> 6591 Merriman Road, Roanoke, VA 24018 Phone: 540-772-7950 Fax: 540-989-7519
	DRAWN X ZHOU	3/30/00	
	CHECKED <i>J. Cervell</i>	5/6/2020	
	PROJ ENGR		
	APPROVED <i>J. Cervell</i>	5/7/2020	TITLE ELECTRODE, SNAP, BRISTLE, 12 PRONG
	PROJECT FSCM		SCALE 10:1
			SIZE DWG B 37348-50
			REV C
			SHT 1 OF 1