

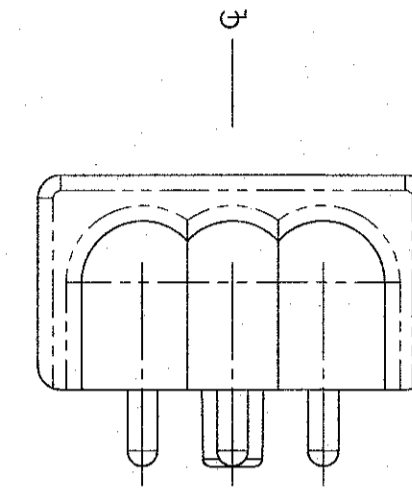
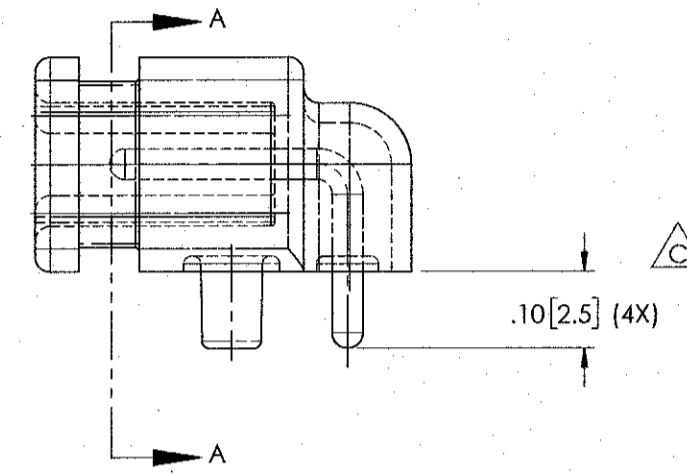
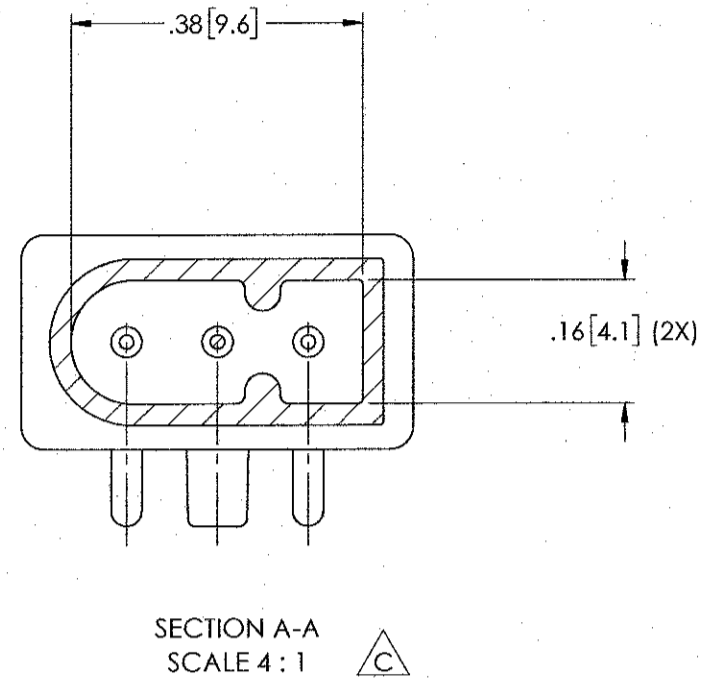
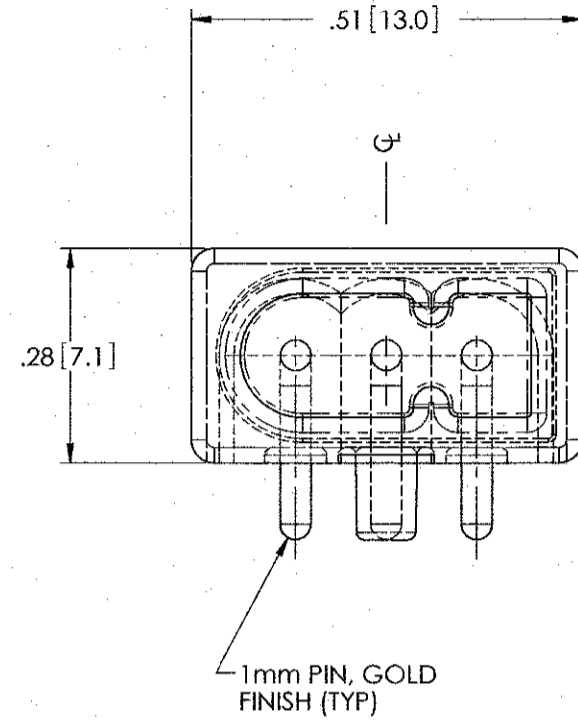
4

3

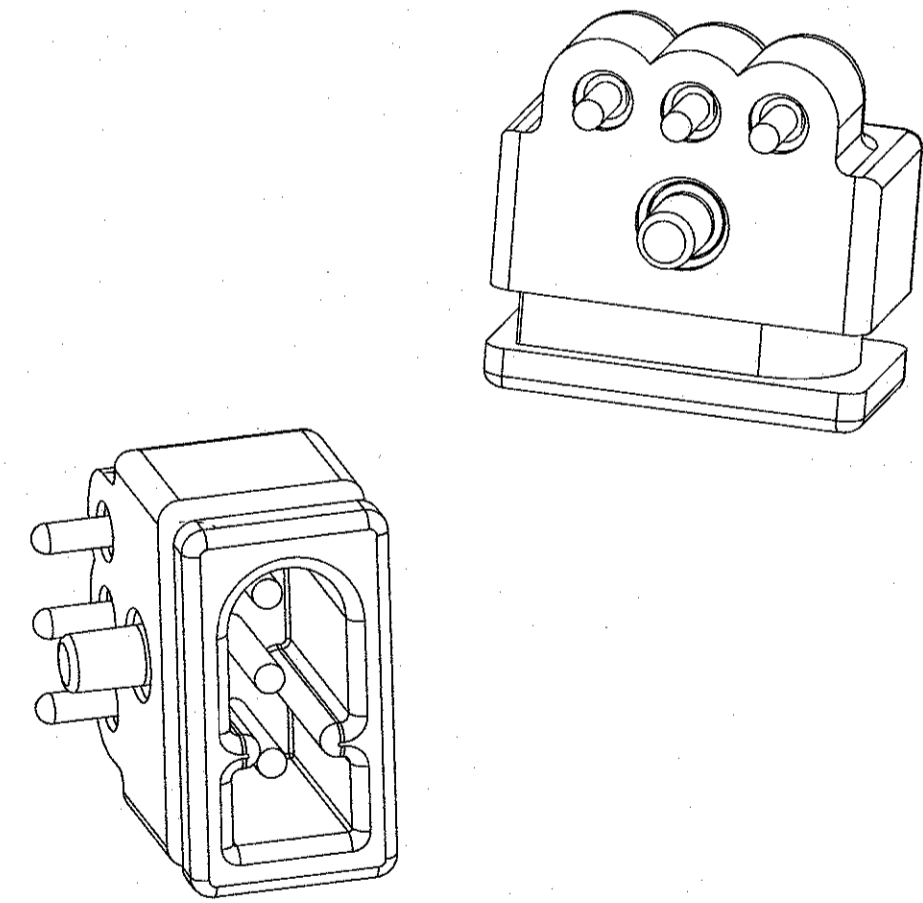
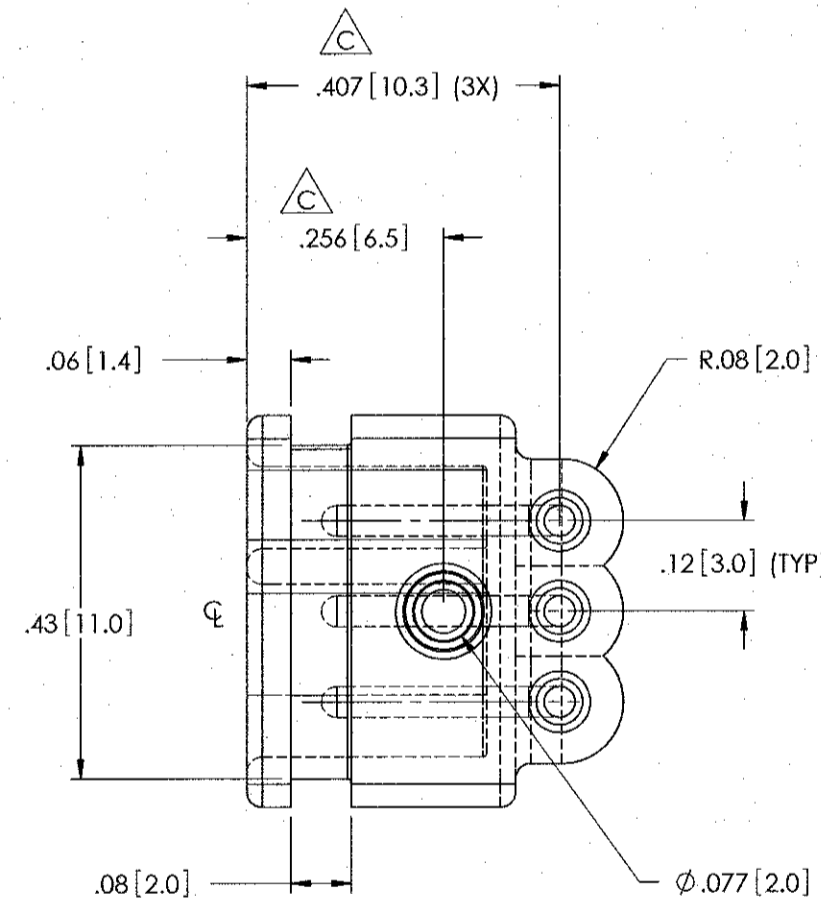
2

1

REVISIONS			
REV	DESCRIPTION	DATE	APPVD
A	RELEASED PER ECO 2191 NJS 8/12/96	8/12/96	NS
	REDRAWN SOLIDWORKS XZ 8/31/07		
B	REV PER ECO 20917 XZ 9/6/13	10/7/13	XZ
C	REV PER ECO 31713 WDS 6/20/18	6/27/18	SLH



- NOTES:
- MATERIAL: PBT
OTHER MATERIALS AVAILABLE
 - SIGNAL CONTACT PLATING: SOFT NICKEL, THEN SOFT GOLD
 - PIN SETBACK: 0.097" (2.46mm)
EN 60601 TOUCHPROOF
 - GENERAL PERFORMANCE (CONTACT P1T FOR TEST CONDITIONS)
EXTRACTION FORCE: 1.7 LBS MINIMUM (7.6 N)
LIFE CYCLE: 1000+ INSERTION CYCLES
HIPOT: 1000 VAC between contacts
5000 VDC TO ANY EXPOSED METAL COMPONENTS
MAX. CURRENT: 8 AMPS
 - OPERATING TEMPERATURE: +5° C to + 60° C
 - UL94 V-0/5V
 - WAVE SOLDERABLE
 - MATES WITH 220



THIS DRAWING CONTAINS CONFIDENTIAL AND PROPRIETARY INFORMATION AND MAY NOT BE ISSUED OR REPRODUCED, IN WHOLE OR IN PART, WITHOUT THE EXPRESS WRITTEN PERMISSION OF P1 TECHNOLOGIES.

TOLERANCES UNLESS OTHERWISE SPECIFIED ALL DIMENSIONS IN INCHES DIMENSIONS IN [] METRIC	APPROVALS DRAWN NATE SOCHOR	DATE 8/9/96	 6591 Merriman Road, Roanoke, VA 24018 Phone: 540-772-7950 Fax: 540-989-7519
FRACTIONAL ±1/64	CHECKED WDS	7/5/20	
DECIMAL .00 ±.01 [.25mm] .000 ±.005 [.127mm]	PROJECT ENGR		TITLE JACK, PCB, ANGLED 1mm 3-PIN TOUCHPROOF
ANGULAR ±.5°	APPROVED L. Spuly	7/10/2020	SCALE 4:1
	PROJECT 6706	F6CM	SIZE C
			REV C
			SHT 1
			OF 1
			37393-50