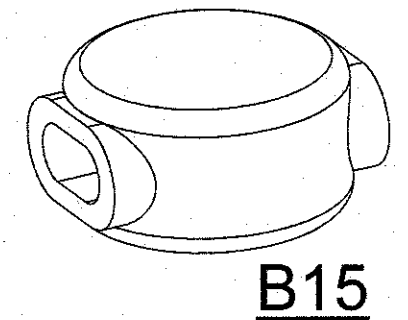
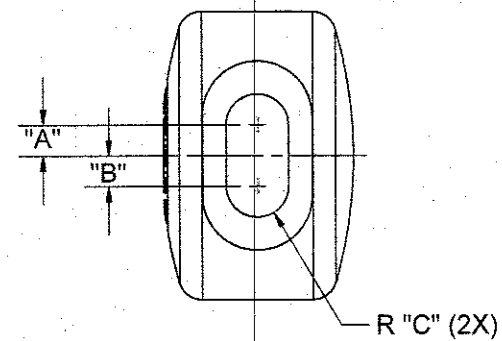
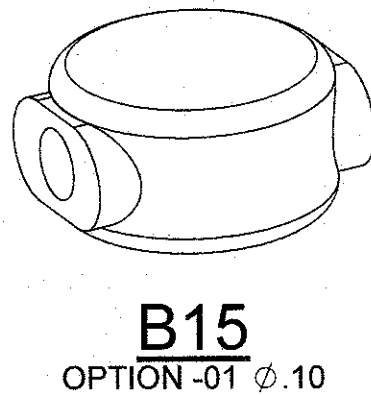
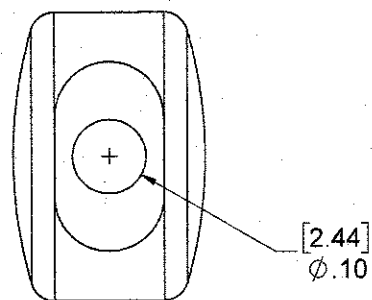
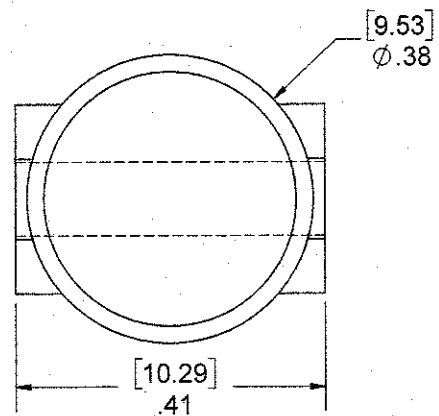
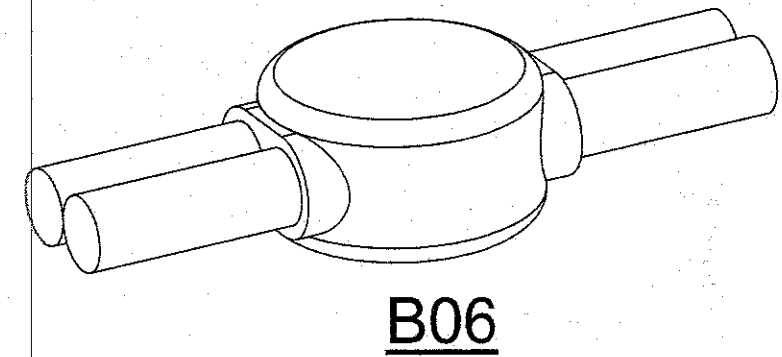


OPTION	DIM "A"	DIM "B"	DIM "C"
-01	.05 [1.32]	.05 [1.32]	.10 [2.64]
-02	.05 [1.17]	.05 [1.17]	.09 [2.34]
-03	.04 [1.02]	.04 [1.02]	.08 [2.01]
-04	.03 [.71]	.03 [.71]	.06 [1.42]



OPTION	DESCR.	DIM "A"	DIM "B"	DIM "C"
-02	$\phi$ .08 [2.03] SLIDE	.04 [1.02]	.04 [1.02]	.04 [1.02]
-03	$\phi$ .11 [2.79] SLIDE	.03 [.71]	.03 [.71]	.04 [.89]

REV	DESCRIPTION	DATE	BY
C	REV PER ECO 39261 XZ 7/11/22	8/15/22	JLR
B	REV PER ECO 27342 XZ 9/7/16	9/20/16	XZ
A	RELEASE PER ECO 24113 XZ 2/19/15	3/5/15	TAB
REVISIONS			

TOLERANCES UNLESS OTHERWISE SPECIFIED ALL DIMENSIONS IN INCHES DIMENSIONS IN [ ] METRIC		APPROVALS	DATE	 BECAUSE EVERYTHING CONNECTS 6591 Merriman Road, Roanoke, VA 24018 Phone: 540-772-7950 Fax: 540-989-7519
FRACTIONAL $\pm 1/64$	DECIMAL .00 $\pm$ .01 [.25mm] .000 $\pm$ .005 [.127mm]	DRAWN XZHOU	2/19/15	
ANGULAR $\pm 5^\circ$		CHECKED MAB	7/13/22	
		PROJ ENGR		
		APPROVED <i>[Signature]</i>	7/14/22	
		PROJECT 6694	FSCM	
		TITLE BUTTON, B06 & B15		
		SCALE 4:1		
SIZE B	DWG 37468-50	REV C	SHT 1 OF 1	

THIS DRAWING CONTAINS CONFIDENTIAL AND PROPRIETARY INFORMATION AND MAY NOT BE ISSUED OR REPRODUCED, IN WHOLE, OR IN PART, WITHOUT THE EXPRESS WRITTEN PERMISSION OF P1 TECHNOLOGIES.