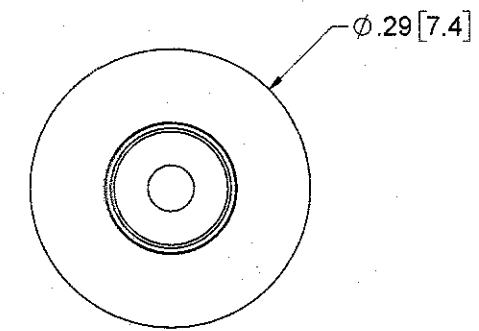
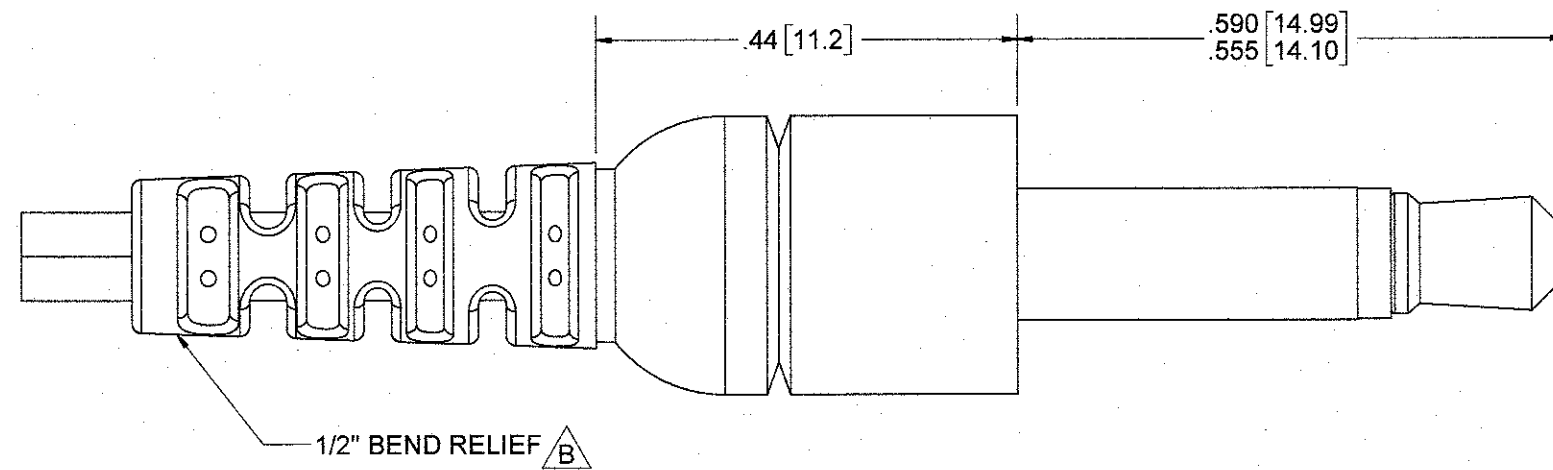
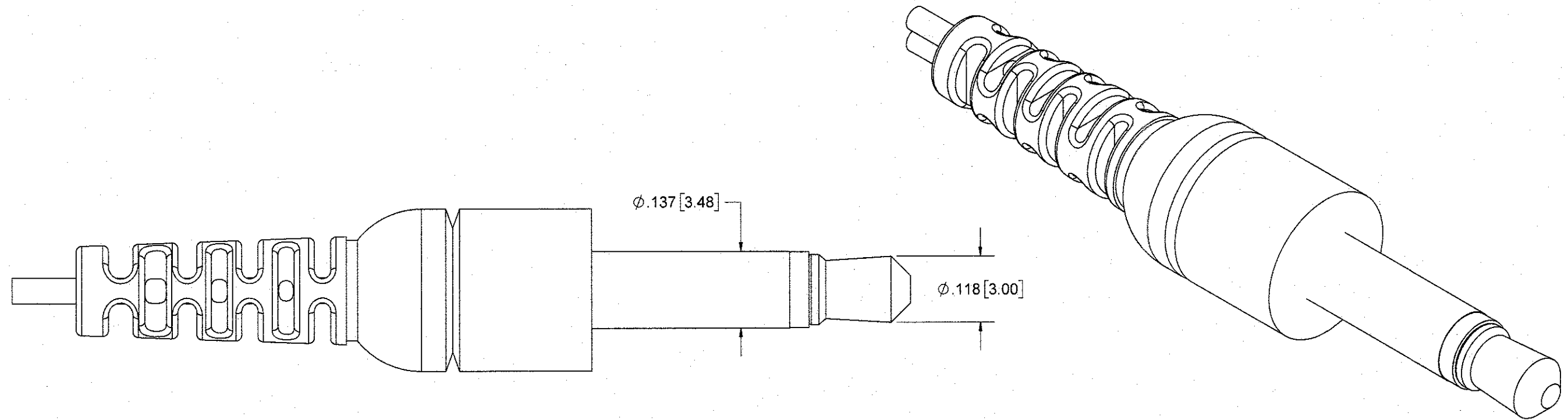


4

3


2

1



THIS DRAWING CONTAINS CONFIDENTIAL AND PROPRIETARY INFORMATION AND MAY NOT BE ISSUED OR REPRODUCED, IN WHOLE, OR IN PART, WITHOUT THE EXPRESS WRITTEN PERMISSION OF P1 TECHNOLOGIES.

REV	DESCRIPTION	DATE	BY
B	REV PER ECO 19438 TAS 12/4/12 REDRAWN IN SOLIDWORKS	1/16/13	TAS
A	REV PER ECO 2343 SJ 10/14/96	10/16/96	SJ
REVISIONS			

TOLERANCES		APPROVALS	DATE
UNLESS OTHERWISE SPECIFIED ALL DIMENSIONS IN INCHES DIMENSIONS IN [] METRIC		DRAWN S. JAMISON	10/14/96
FRACTIONAL ±1/64		CHECKED WDS	7/5/20
DECIMAL .00 ±.01 [.25mm] .000 ±.005 [.127mm]		PROJ ENGR	
ANGULAR ±.5°		APPROVED <i>[Signature]</i>	7/10/2020
		PROJECT	FSCM
 6591 Merriman Road, Roanoke, VA 24018 Phone: 540-772-7950 Fax: 540-989-7519			
TITLE PLUG, 566, 3.5mm, MONO PHONE			SCALE 5:1
SIZE B	DWG 37621-50	REV B	SHT 1 OF 1