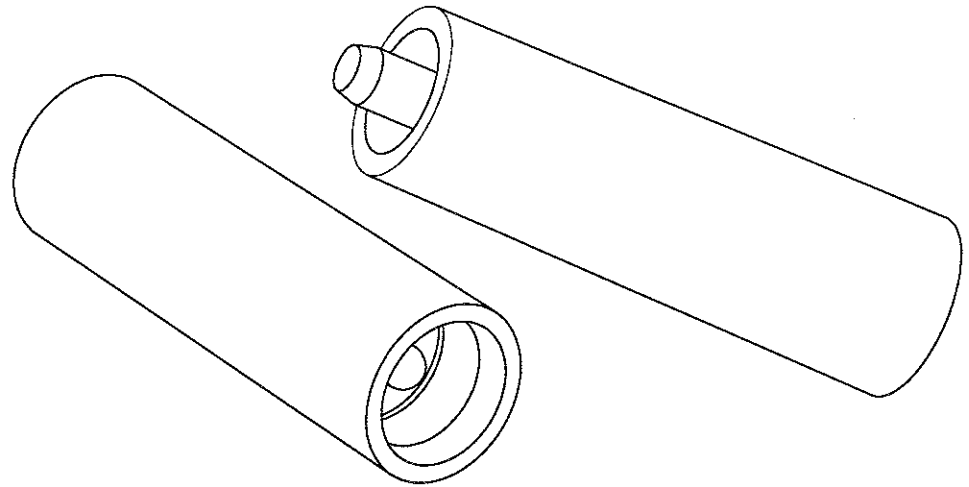


NOTE:
 1. MAX FLASH .003
 2. REF: DIN 42 802



	REDRAWN IN SOLIDWORKS TAS 7/23/13		
C	REV PER ECO 5781 BB 7/20/01	1/2/02	BB
B	REV PER ECO 5036 BB 6/13/00	6/20/00	BB
A	RELEASE PER ECO 2631 BB 3/3/97	3/3/97	BB
REV	DESCRIPTION	DATE	BY

TOLERANCES UNLESS OTHERWISE SPECIFIED ALL DIMENSIONS IN INCHES DIMENSIONS IN [] METRIC	
FRACTIONAL ±1/64	
DECIMAL .00 ±.01 [.25mm] .000 ±.005 [.127mm]	
ANGULAR ±.5°	

APPROVALS	DATE
DRAWN B BRINDLE	1/31/94
CHECKED WDS	7/5/20
PROJ ENGR	
APPROVED <i>K. Spady</i>	7/10/2020
PROJECT 7189	FSCM

P Technologies
 BECAUSE EVERYTHING CONNECTS
 6591 Merriman Road, Roanoke, VA 24018
 Phone: 540-772-7950 Fax: 540-989-7519

TITLE
 JACK, PCB, 1.5mm TOUCHPROOF

SCALE 4:1

SIZE	DWG	REV	SHT
A	37720-50	C	1 OF 1

THIS DRAWING CONTAINS CONFIDENTIAL AND PROPRIETARY INFORMATION AND MAY NOT BE ISSUED OR REPRODUCED, IN WHOLE, OR IN PART, WITHOUT THE EXPRESS WRITTEN PERMISSION OF P1 TECHNOLOGIES.