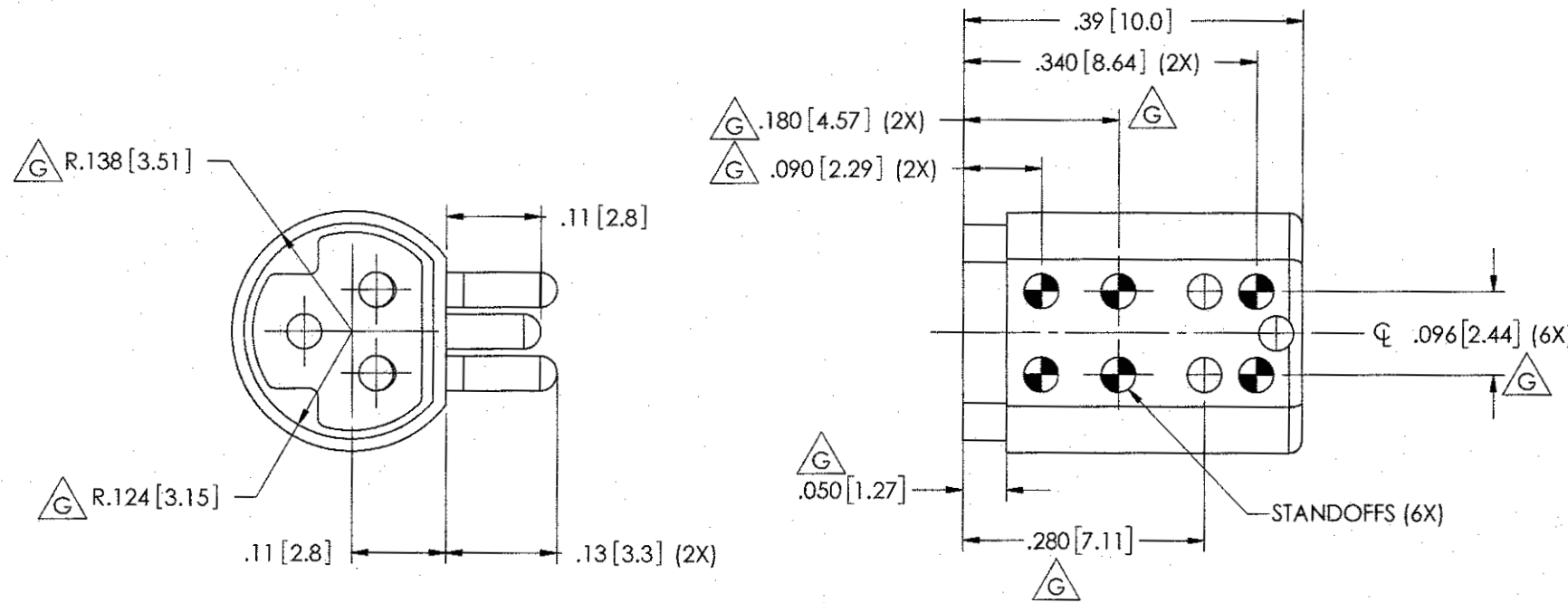
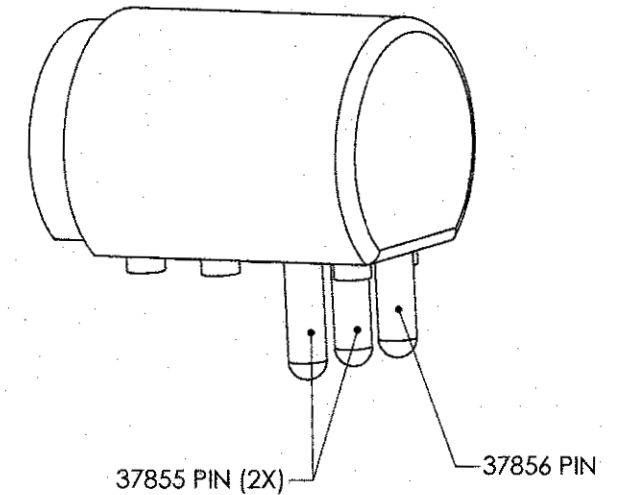
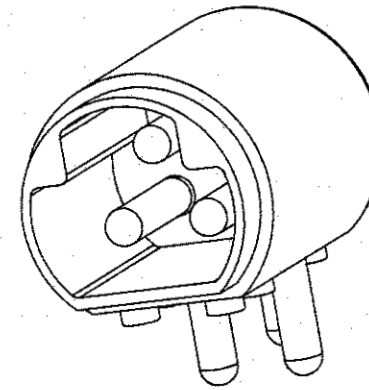
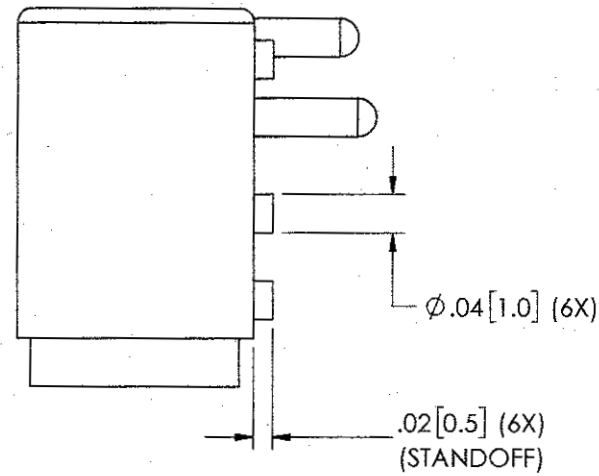


4

3

2

1



NOTES:

1. MATERIAL: PBT
OTHER MATERIALS AVAILABLE
2. SIGNAL CONTACT PLATING: SOFT NICKEL, THEN SOFT GOLD
3. PIN SETBACK: 0.07" [1.8 MM]
EN 60601 TOUCHPROOF
4. GENERAL PERFORMANCE (CONTACT P1T FOR TEST CONDITIONS)
EXTRACTION FORCE: 1.1 LBS MINIMUM (4.9N)
LIFE CYCLE: 1000+ INSERTION CYCLES
HIPOT: 1000 VAC between contacts
5000 VDC TO ANY EXPOSED METAL COMPONENTS
MAX. CURRENT: 8 AMPS
5. OPERATING TEMPERATURE: +5° C to + 60° C
6. UL94 V-0/5V
7. WAVE SOLDERABLE
8. MATES WITH 44-SERIES & 444 PLUGS

REV.	DESCRIPTION	DATE	APPROVED
G	REV PER ECO 28666 XZ 2/17/17	3/28/17	SLH
F	REV PER ECO 28049 TAS 10/24/16	10/27/16	TAS
E	REV PER ECO 8484 GSOX 1/26/05	3/30/05	GS
D	REV PER ECO 7355 GS 5/17/04	6/9/04	GS
C	REV PER ECO 3358 SJ 2/13/98	5/6/98	SJ
B	REV PER ECO 3233 SJ 12/15/97	12/17/97	SJ
A	REL PER ECO 3019 SJ 9/3/97	9/3/97	SJ
REVISIONS			

TOLERANCES		APPROVALS	DATE
UNLESS OTHERWISE SPECIFIED ALL DIMENSIONS IN INCHES DIMENSIONS IN [] METRIC		DRAWN JAMISON	6/16/97
FRACTIONAL ±1/64		CHECKED WBS	7/5/20
DECIMAL .00 ±.01 [.25mm] .000 ±.005 [.127mm]		PROJ ENGR	
ANGULAR ±.5°		APPROVED Z. Gandy	7/10/2020
		PROJECT 6731-05	FSCM
		TITLE JACK, 3 PIN, .040 TRIANGULAR 6 STANDOFFS .020 TALL	
		SCALE 5:1	
SIZE B	DWG 37817-50	REV G	SHT 1 OF 1

THIS DRAWING CONTAINS CONFIDENTIAL AND PROPRIETARY INFORMATION AND MAY NOT BE ISSUED OR REPRODUCED, IN WHOLE, OR IN PART, WITHOUT THE EXPRESS WRITTEN PERMISSION OF P1 TECHNOLOGIES.



6591 Merriman Road, Roanoke, VA 24018
Phone: 540-772-7950 Fax: 540-989-7519