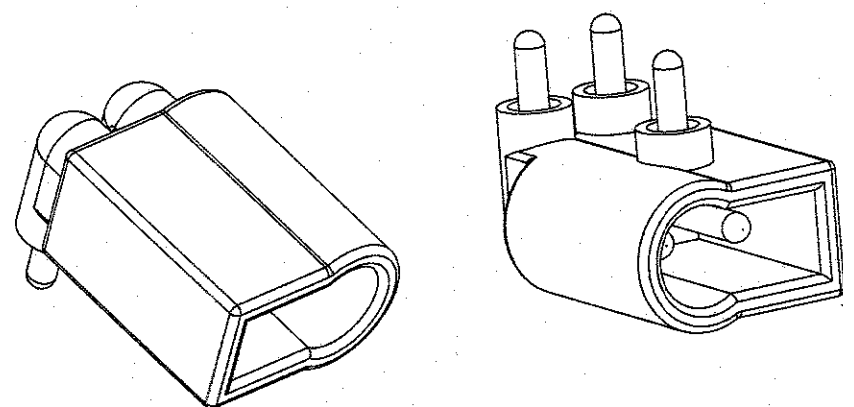
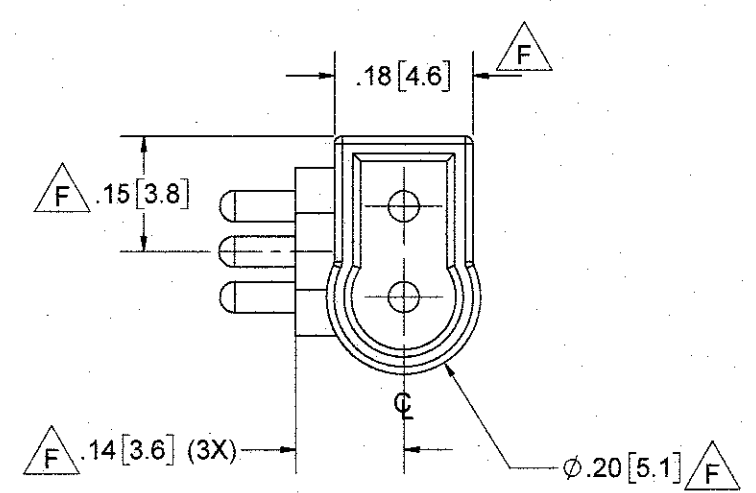


- NOTES:**
- MATERIAL: PBT
OTHER MATERIALS AVAILABLE
 - SIGNAL CONTACT PLATING: SOFT NICKEL, THEN SOFT GOLD
 - PIN SETBACK: 0.10" [2.5MM]
EN 60801 TOUCHPROOF
 - GENERAL PERFORMANCE (CONTACT P1T FOR TEST CONDITIONS)
EXTRACTION FORCE: 5.1 LBS AVERAGE (22.7N)
LIFE CYCLE: 1000+ INSERTION CYCLES
HIPOT: 1000 VAC BETWEEN CONTACTS
5000 VDC TO ANY EXPOSED METAL COMPONENTS
MAX CURRENT: 8 AMPS
 - OPERATING TEMPERATURE: +5° C TO +60° C
 - UL94 V-0/5V
 - WAVE SOLDERABLE



THIS DRAWING CONTAINS CONFIDENTIAL AND PROPRIETARY INFORMATION AND MAY NOT BE ISSUED OR REPRODUCED, IN WHOLE, OR IN PART, WITHOUT THE EXPRESS WRITTEN PERMISSION OF P1 TECHNOLOGIES.

REV	DESCRIPTION	DATE	BY
F	REV PER ECO 27895 TAS 10/6/16	10/18/16	SLH
E	REV PER ECO 24203 XZ 2/12/15	2/13/15	XZ
D	REV PER ECO 21075 XZ 10/1/13	10/3/13	TVB
C	REV PER ECO 19396 TAS 6/18/13 REDRAWN IN SOLIDWORKS	7/8/13	TVB
B	REV PER ECO 9220 JS 12/05/05	12/14/05	JLS
A	RELEASE PER ECO 2986 RS 8/18/97	8/18/97	RS
REVISIONS			

TOLERANCES UNLESS OTHERWISE SPECIFIED ALL DIMENSIONS IN INCHES DIMENSIONS IN [] METRIC		APPROVALS	DATE
FRACTIONAL ±1/64	DECIMAL .00 ±.01 [.25mm] .000 ±.005 [.127mm]	DRAWN N. SOCHOR	8/18/97
		CHECKED WDS	7/5/20
ANGULAR ±.5°		PROJ ENGR	
		APPROVED [Signature]	7/10/2020
		PROJECT 6919	FSCM

P Technologies BECAUSE EVERYTHING CONNECTS	
6591 Merriman Road, Roanoke, VA 24018 Phone: 540-772-7950 Fax: 540-989-7519	
TITLE JACK, PCB, ANGLED, HORIZONTAL, Imm, LOW EXTRACTION	
SCALE 4:1	
SIZE DWG B	37851-50
REV F	SHT 1 OF 1