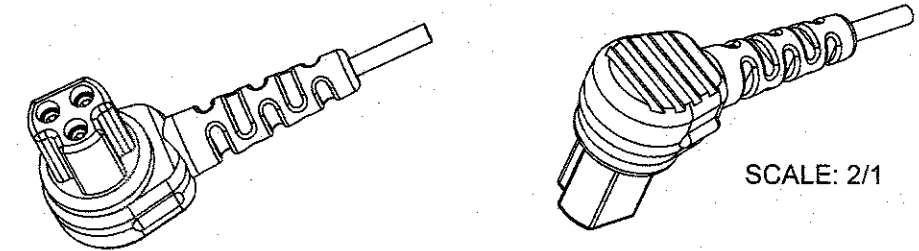
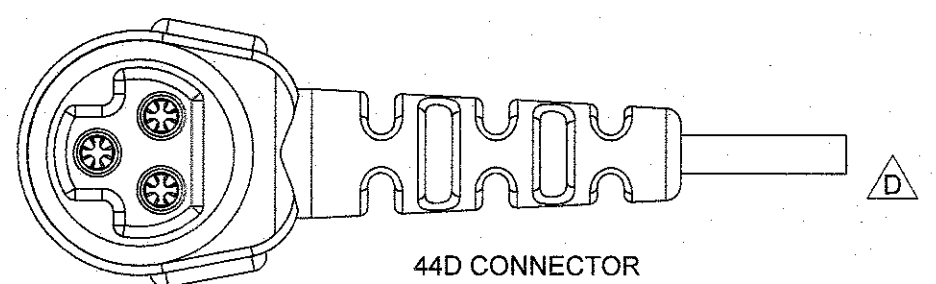
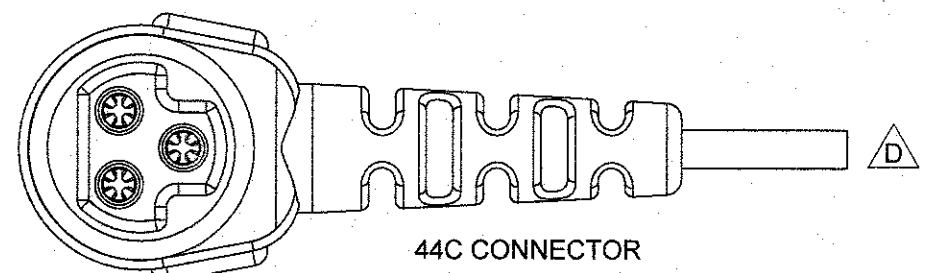
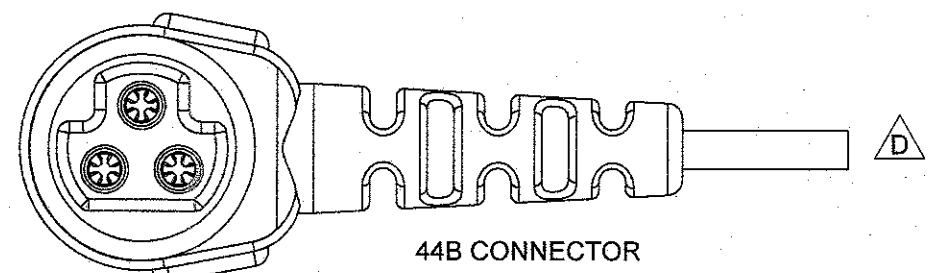
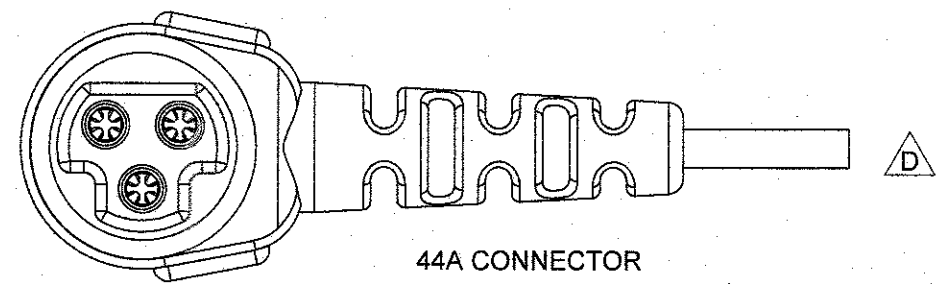
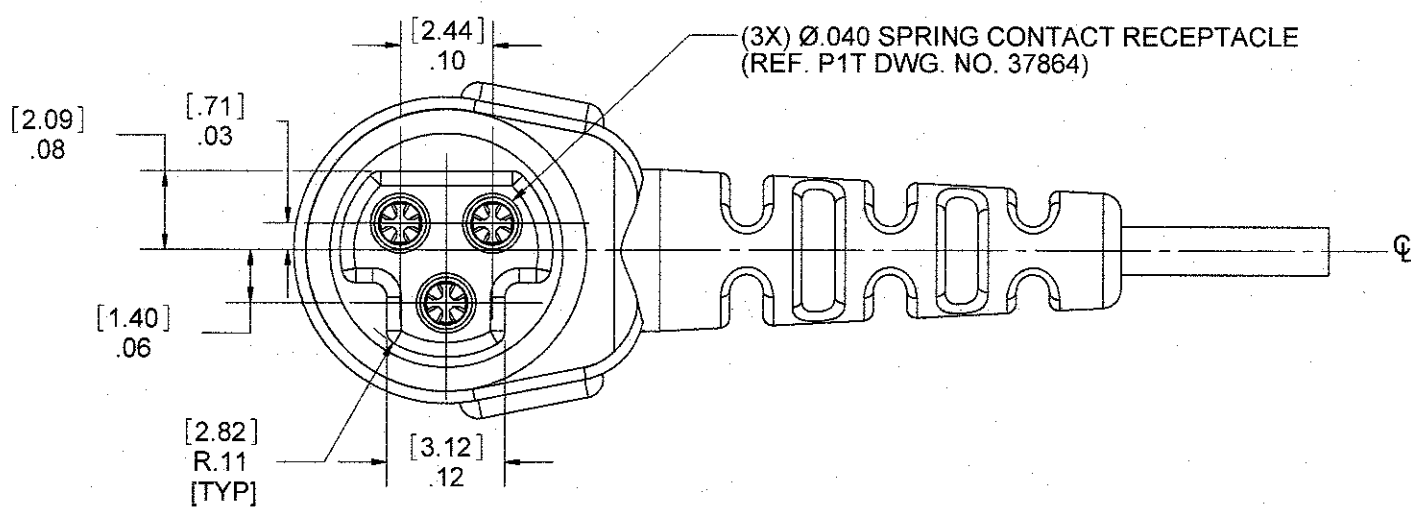
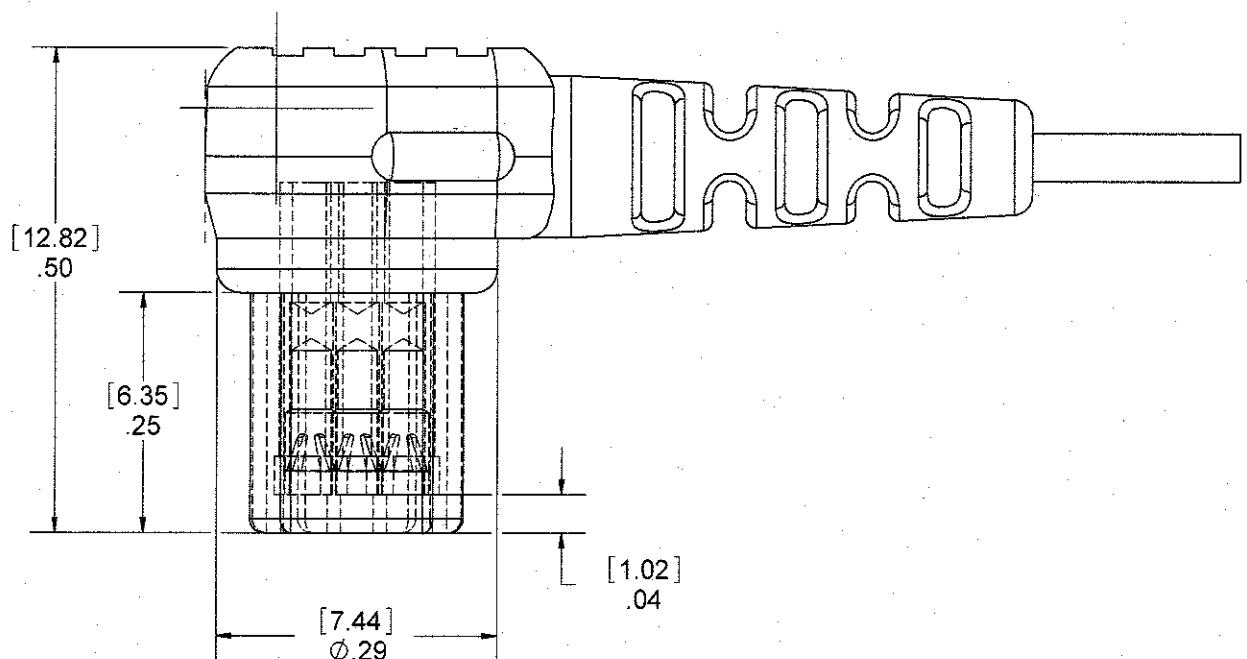
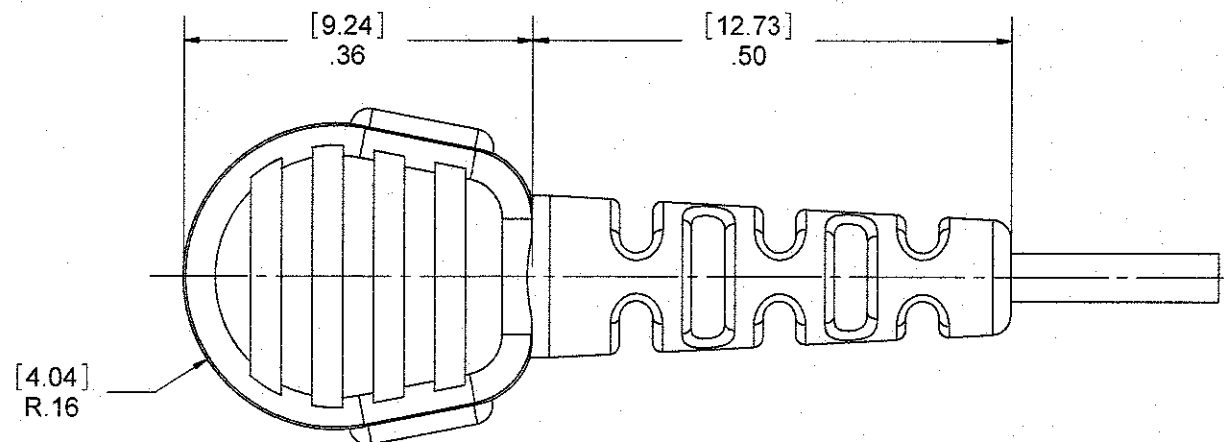


4

3

2

1



REV	DESCRIPTION	DATE	BY
D	REV PER ECO 22214 XZ 4/16/14	4/23/14	TAB
C	REV & REDRAW PER ECO 11875 JAP 7/28/2009	9/2/09	JDB
B	REV PER ECO 9993 XZ 9/20/06	10/4/06	XZ
A	REL PER ECO 3279 RS 1/4/97	1/15/98	RS
REVISIONS			

TOLERANCES UNLESS OTHERWISE SPECIFIED ALL DIMENSIONS IN INCHES DIMENSIONS IN [] METRIC		APPROVALS	DATE
FRACTIONAL ±1/64	DECIMAL .00 ±.01 [.25mm] .000 ±.005 [.127mm]	DRAWN SINCLAIR	12/17/97
		CHECKED <i>J. Alford</i>	7/9/2020
ANGULAR ±.5°	APPROVED <i>L. Spoly</i>	PROJ ENGR	
		PROJECT 6959-01	FSCM

P Technologies
BECAUSE EVERYTHING CONNECTS

6591 Merriman Road, Roanoke, VA 24018
Phone: 540-772-7950 Fax: 540-989-7519

TITLE CONNECTOR, 44A, 44B, 44C, 44D, 3 PIN, .040, TRIANGULAR, RIGHT ANGLE

SCALE 5:1 & NOTED

SIZE B	DWG 37990-50	REV D	SHT OF 1
------------------	-----------------	----------	-------------

THIS DRAWING CONTAINS CONFIDENTIAL AND PROPRIETARY INFORMATION AND MAY NOT BE ISSUED OR REPRODUCED, IN WHOLE, OR IN PART, WITHOUT THE EXPRESS WRITTEN PERMISSION OF P1 TECHNOLOGIES.