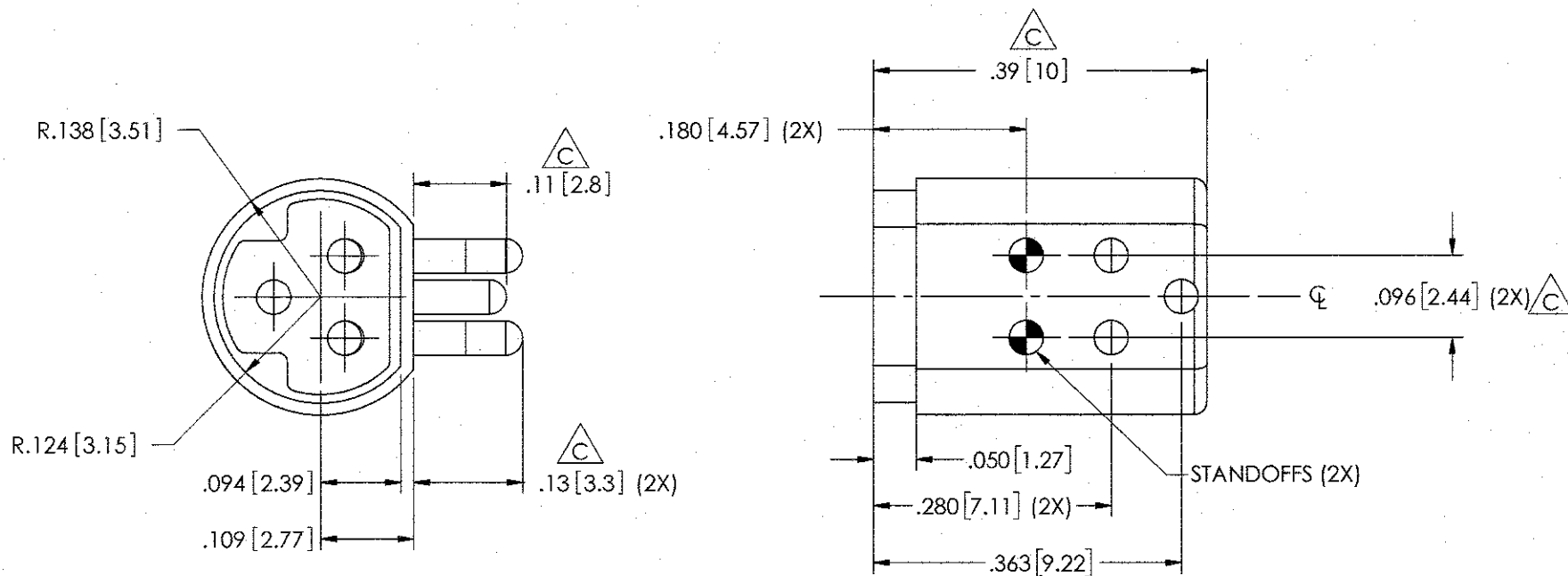
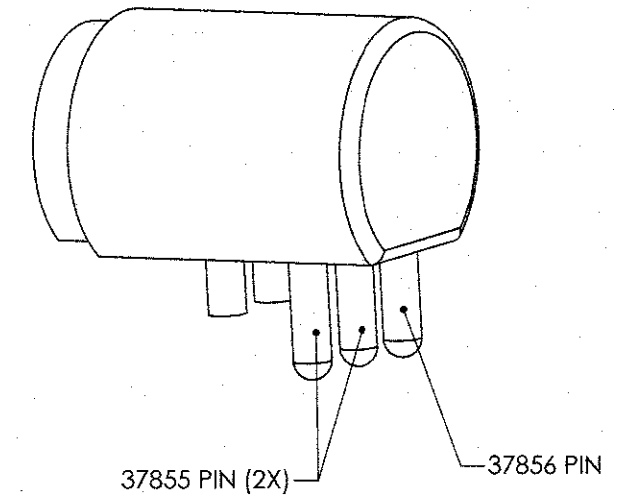
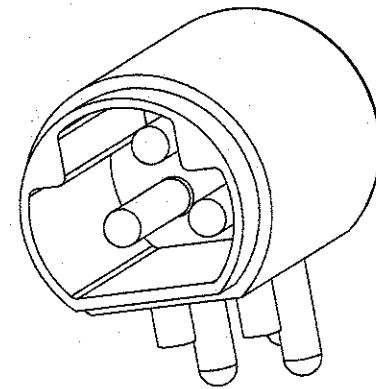
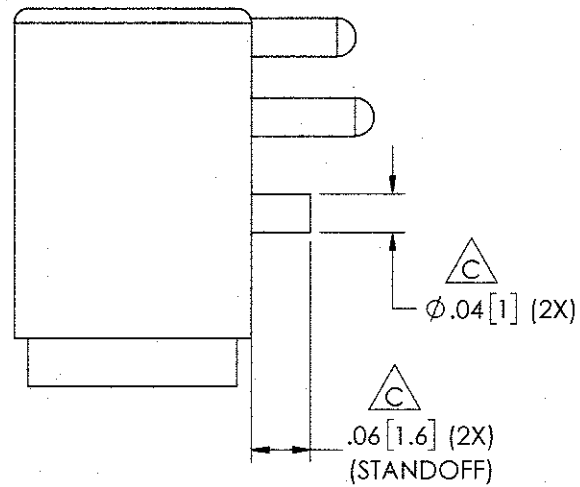


4

3

2

1



NOTES:

- MATERIAL: PBT
OTHER MATERIALS AVAILABLE
- SIGNAL CONTACT PLATING: SOFT NICKEL, THEN SOFT GOLD
- PIN SETBACK: 0.07" [1.8MM]
EN 60601 TOUCHPROOF
- GENERAL PERFORMANCE (CONTACT P1T FOR TEST CONDITIONS)
EXTRACTION FORCE: 1.1 LBS MINIMUM (4.9N)
LIFE CYCLE: 1000+ INSERTION CYCLES
HIPOT: 1000 VAC between contacts
5000 VDC TO ANY EXPOSED METAL COMPONENTS
MAX. CURRENT: 8 AMPS
- OPERATING TEMPERATURE: +5° C to + 60° C
- UL94 V-0/5V
- WAVE SOLDERABLE
- MATES WITH 44-SERIES & 444 PLUGS

REV	DESCRIPTION	DATE	APPVD
C	REV PER ECO 28666 XZ 2/17/17	3/28/17	SLH
B	REV PER ECO 8484 GSOX 1/26/05	3/30/05	GS
A	REL PER ECO 3270 SJ 1/8/98	1/15/98	SJ
REVISIONS			

TOLERANCES UNLESS OTHERWISE SPECIFIED ALL DIMENSIONS IN INCHES DIMENSIONS IN [] METRIC	APPROVALS DRAWN JAMISON	DATE 1/8/97	Technologies <small>BECAUSE EVERYTHING CONNECTS</small> 6591 Merriman Road, Roanoke, VA 24018 Phone: 540-772-7950 Fax: 540-989-7519
	CHECKED WDS	7/5/20	
	PROJ ENGR		
	APPROVED <i>[Signature]</i>	7/10/2020	
PROJECT 6978	FSCM	SCALE 5/1	TITLE JACK, 3 PIN, .040 TRIANGULAR 2 STANDOFFS .062 TALL
SIZE B	DWG 38007-50	REV C	SHT OF 1 1

THIS DRAWING CONTAINS CONFIDENTIAL AND PROPRIETARY INFORMATION AND MAY NOT BE ISSUED OR REPRODUCED, IN WHOLE, OR IN PART, WITHOUT THE EXPRESS WRITTEN PERMISSION OF P1 TECHNOLOGIES.

D

C

B

A