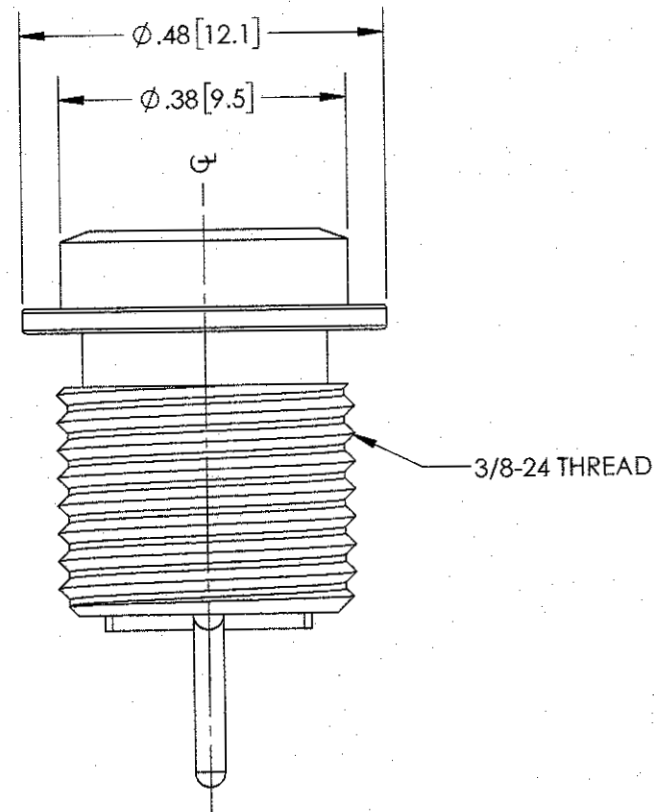
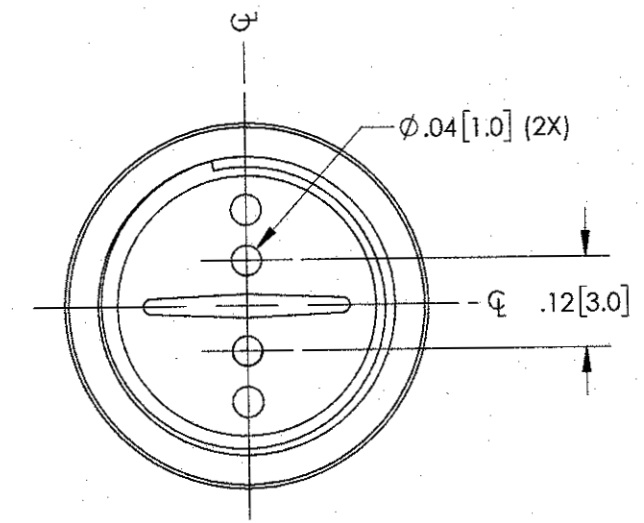
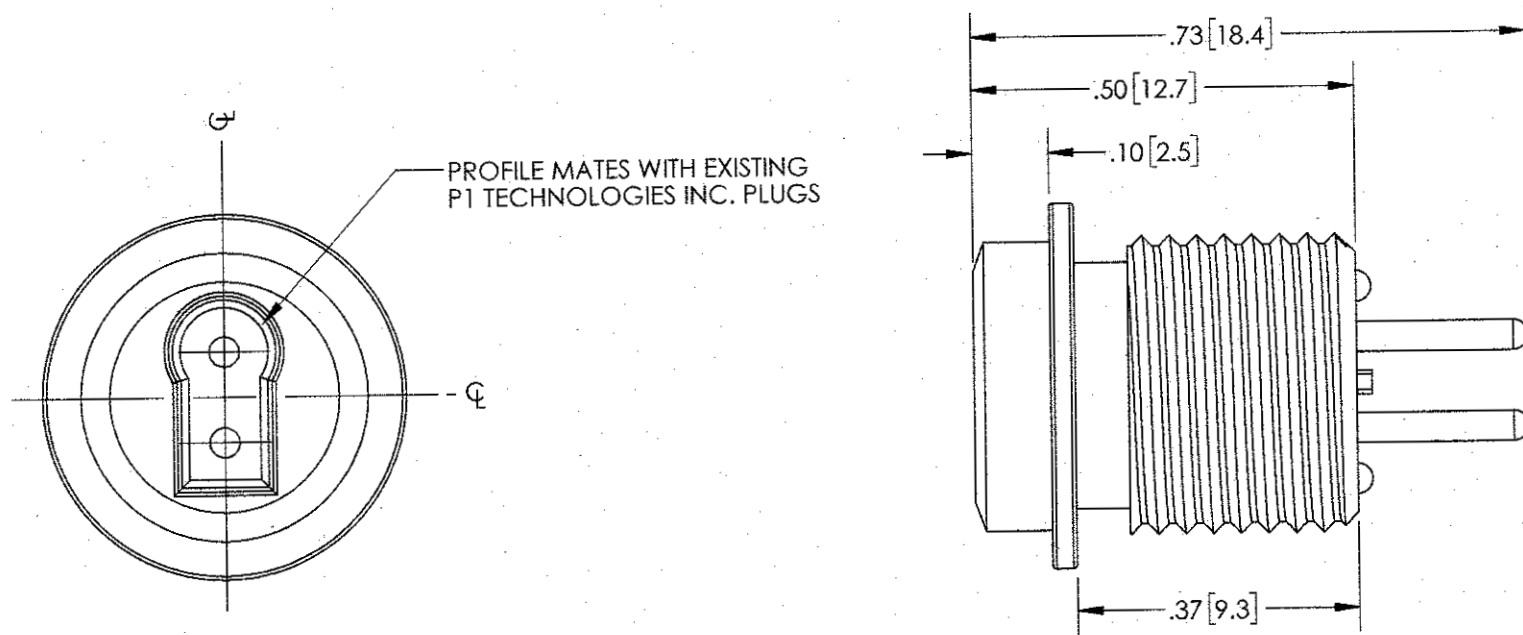


4

3

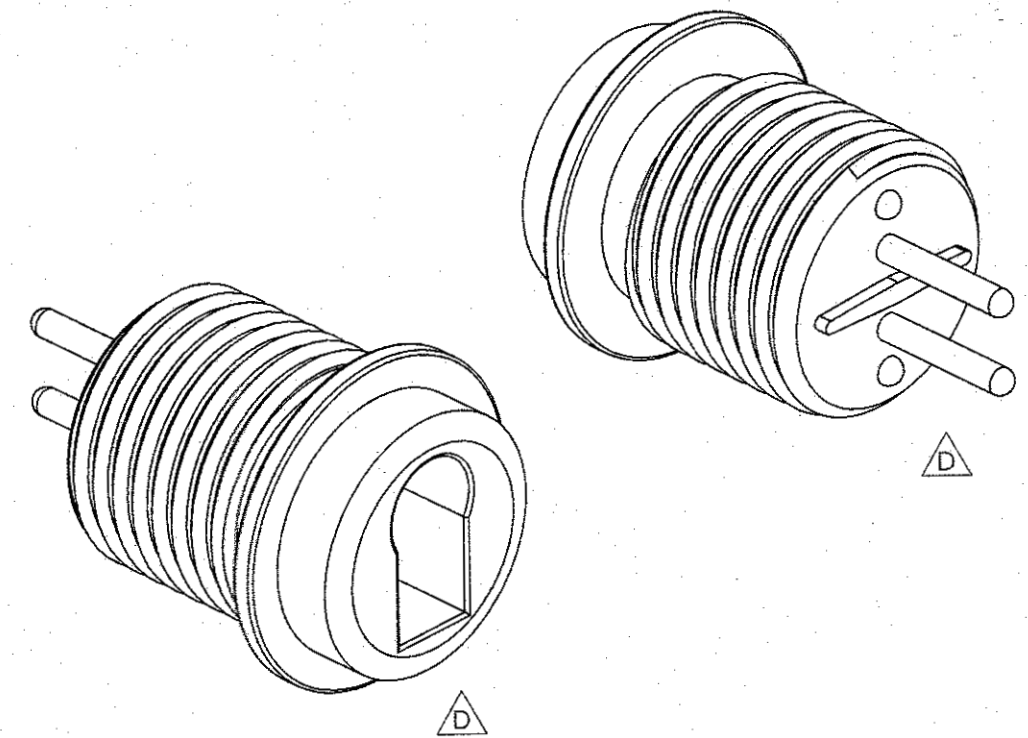
2

1



NOTES:

- 1. MATERIAL: PBT  
OTHER MATERIALS AVAILABLE
- 2. SIGNAL CONTACT PLATING: SOFT NICKEL, THEN SOFT GOLD
- 3. PIN SETBACK: 0.10" [2.5MM]  
EN 60601 TOUCHPROOF
- 4. GENERAL PERFORMANCE (CONTACT P1 FOR TEST CONDITIONS)  
EXTRACTION FORCE: 1.8 LBS AVERAGE (8.0N)  
LIFE CYCLE: 1000+ INSERTION CYCLES  
HIPOT: 1000 VAC BETWEEN CONTACTS  
MAX CURRENT: 8 AMPS
- 5. OPERATING TEMPERATURE: +5°C TO 60°C
- 6. UL94 V-0/5V
- 7. WAVE SOLDERABLE



THIS DRAWING CONTAINS CONFIDENTIAL AND PROPRIETARY INFORMATION AND MAY NOT BE ISSUED OR REPRODUCED, IN WHOLE, OR IN PART, WITHOUT THE EXPRESS WRITTEN PERMISSION OF P1 TECHNOLOGIES.

REV	DESCRIPTION	DATE	BY
D	REV PER ECO 38093 TAH 7/22/21 REDRAWN IN SOLIDWORKS	8/18/21	TAH
C	REV PER ECO 27895 TAS 10/7/16	10/18/16	SLH
B	REV PER ECO 17476 TAS 3/15/12	3/27/12	JEO
A	RELEASE PER ECO 4269 GSOX 5/17/99	5/18/99	GSOX
REVISIONS			

TOLERANCES	APPROVALS	DATE
UNLESS OTHERWISE SPECIFIED ALL DIMENSIONS IN INCHES DIMENSIONS IN [ ] METRIC	DRAWN G SOX	5/10/99
FRACTIONAL $\pm 1/64$	CHECKED <i>L. Spauldy</i>	8/16/2021
DECIMAL .00 $\pm 0.01$ [.25mm] .000 $\pm 0.005$ [.127mm]	PROJECT ENGR G SOX	5/10/99
ANGULAR $\pm .5^\circ$	APPROVED <i>L. Spauldy</i>	8/16/2021
	PROJECT 7107	FSCM

**P Technologies**  
BECAUSE EVERYTHING CONNECTS  
6591 Merriman Road, Roanoke, VA 24018  
Phone: 540-772-7950 Fax: 540-989-7519

TITLE JACK, THREADED PANEL MOUNT, 1MM		SCALE 4:1
SIZE B	DWG 38255-50	REV D
		SHT OF 1