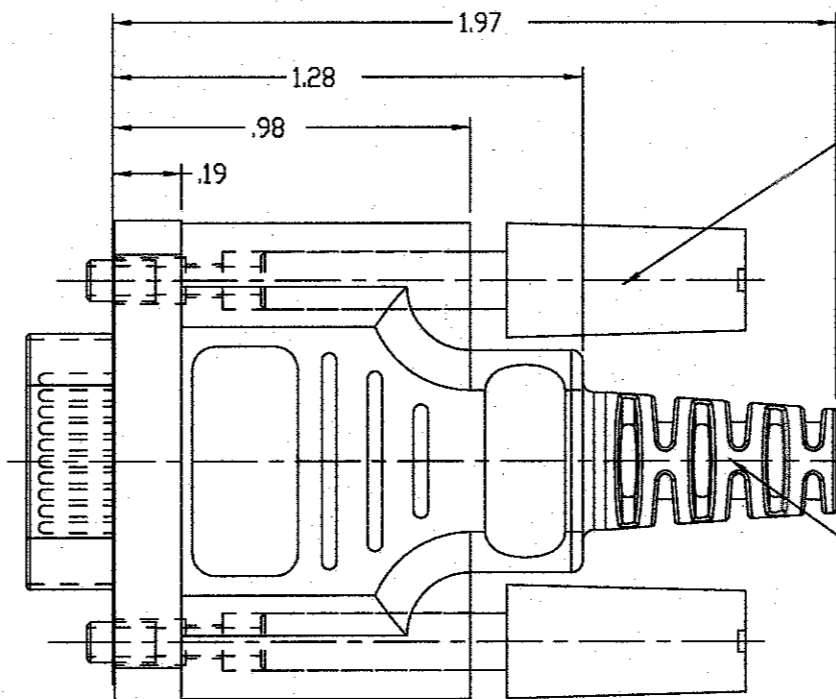


SCALE 2/1

15 PIN SUB D CONNECTOR [MALE]



THUMBSCREW [2X]

STRAIN RELIEF

THIS DRAWING CONTAINS CONFIDENTIAL AND PROPRIETARY INFORMATION AND MAY NOT BE ISSUED OR REPRODUCED, IN WHOLE, OR IN PART, WITHOUT THE EXPRESS WRITTEN PERMISSION OF P1 TECHNOLOGIES.

REV.	DESCRIPTION	APPROVAL DATE	APPROVED BY
A	REL. PER. ECP# 4446 GSOX 8/10/99	8/25/99	GSOX

TOLERANCES		APPROVALS	DATE
UNLESS OTHERWISE SPECIFIED ALL DIMENSIONS IN INCHES DIMENSIONS IN [ ] METRIC		DRAWN GSOX	08/06/99
FRACTIONAL ±1/64		CHECKED <i>J. Leback</i>	7/6/2020
DECIMAL .00 ±.01 [.25mm] .000 ±.005 [.127mm]		PROJ ENGR GSOX	8/6/99
ANGULAR ±.5°		APPROVED <i>L. Spaly</i>	7/9/2020
		PROJECT 7117	FSCM

 6591 Merriman Road, Roanoke, VA 24018 Phone: 540-772-7950 Fax: 540-989-7519		TITLE CONNECTOR, 15 PIN SUB D 523	
SCALE	NOTED	SIZE	DWG
B		38268-02-50	REV A
			SHT 1 OF 2

D  
C  
B  
A