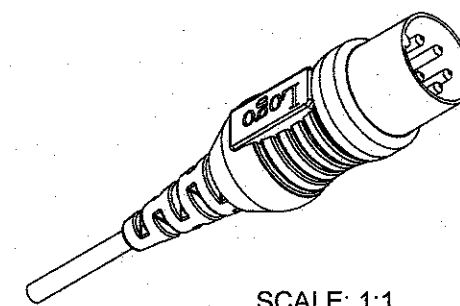
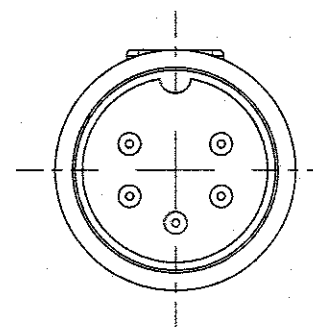


NOTE: BEND RELIEF IS INTERCHANGEABLE. C



SCALE: 1:1

REV	DESCRIPTION	DATE	BY
C	REV PER ECO 19095 XZ 11/7/12	11/27/12	CDG
B	REV PER ECO 4793 SJ 2/16/00	2/24/00	SJ
A	RELEASE PER ECO #4211 XZ 9/8/99	9/10/99	XZ
REVISIONS			

TOLERANCES UNLESS OTHERWISE SPECIFIED ALL DIMENSIONS IN INCHES DIMENSIONS IN [] METRIC		APPROVALS DRAWN XZHOU	DATE 9/10/99	Technologies <small>BECAUSE EVERYTHING CONNECTS</small> 6581 Merriman Road, Roanoke, VA 24018 Phone: 540-772-7950 Fax: 540-989-7519
FRACTIONAL $\pm 1/64$	CHECKED WDS	DATE 7/20/20	TITLE CONNECTOR, 945 5 PIN ROUND DIN	
DECIMAL .00 $\pm .01$ [.25mm] .000 $\pm .005$ [.127mm]	PROJ ENGR	APPROVED <i>[Signature]</i>	SCALE 2/1	
ANGULAR $\pm .5^\circ$	PROJECT	FSCM	SIZE DWG B 38292-50	
			REV C	SHT 1 OF 1

THIS DRAWING CONTAINS CONFIDENTIAL AND PROPRIETARY INFORMATION AND MAY NOT BE ISSUED OR REPRODUCED, IN WHOLE, OR IN PART, WITHOUT THE EXPRESS WRITTEN PERMISSION OF P1 TECHNOLOGIES.

D
C
B
A