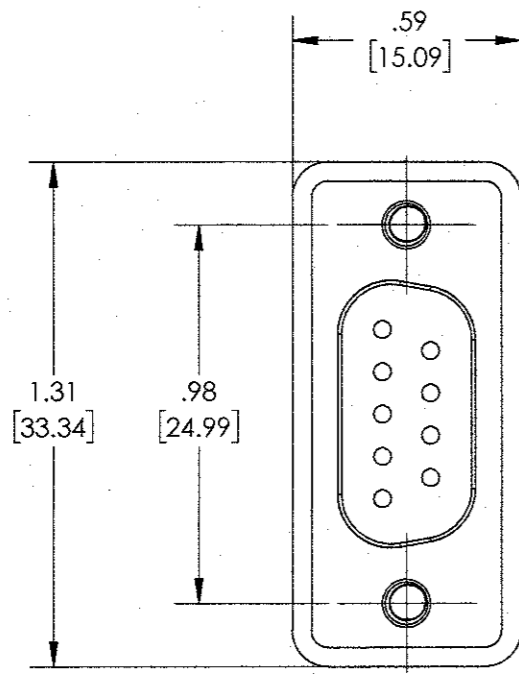


4

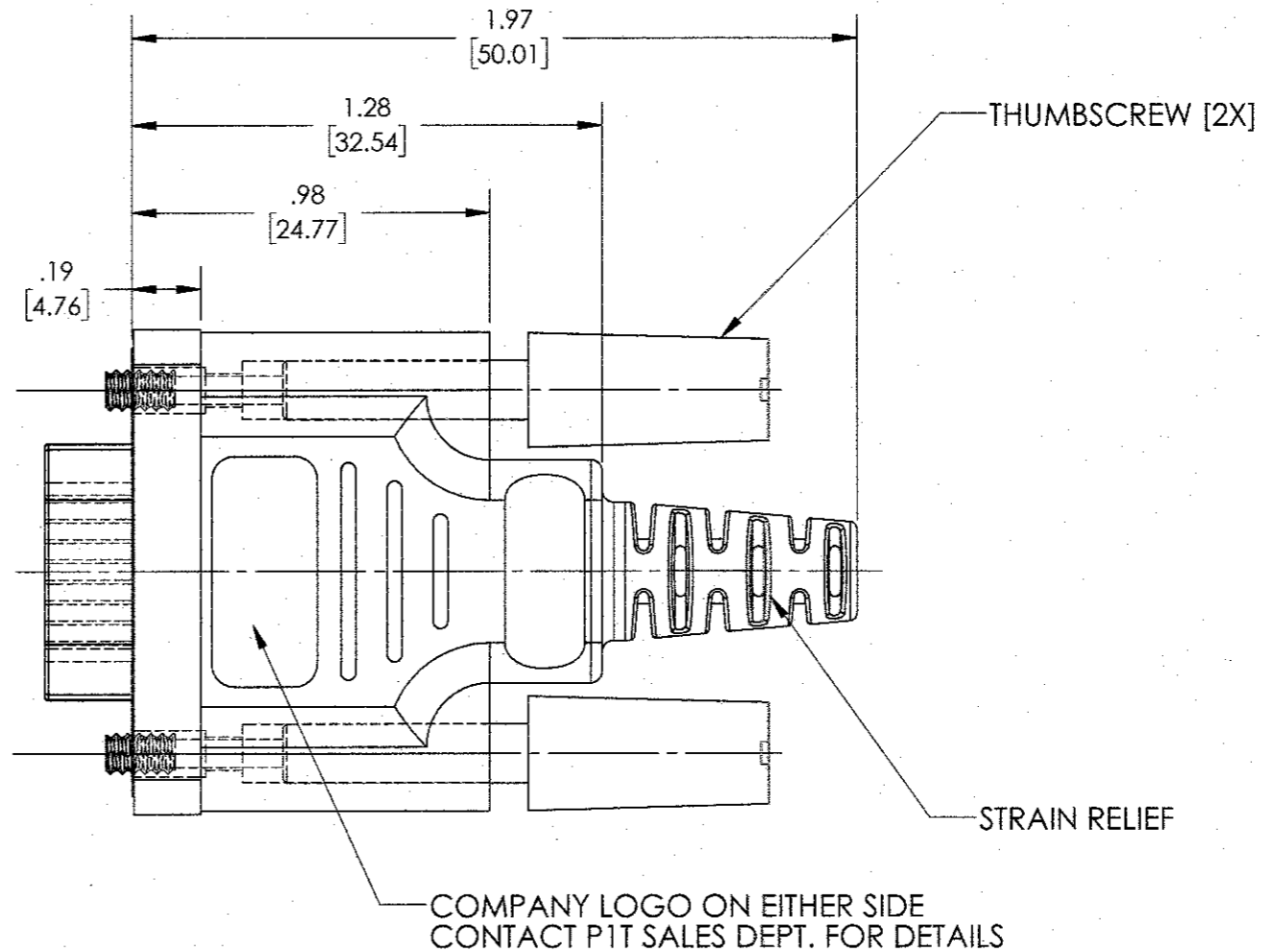
3

2

1



SCALE 2/1



THIS DRAWING CONTAINS CONFIDENTIAL AND PROPRIETARY INFORMATION AND MAY NOT BE ISSUED OR REPRODUCED, IN WHOLE, OR IN PART, WITHOUT THE EXPRESS WRITTEN PERMISSION OF P1 TECHNOLOGIES.

REV	DESCRIPTION	DATE	BY
A	REL PER ECO# 4577 GSOX	10/27/99	MKK
REVISIONS			

<b>TOLERANCES</b> UNLESS OTHERWISE SPECIFIED ALL DIMENSIONS IN INCHES DIMENSIONS IN [ ] METRIC		<b>APPROVALS</b> DRAWN <b>GSOX</b>	<b>DATE</b> 10/27/99	 6591 Merriman Road, Roanoke, VA 24018 Phone: 540-772-7950 Fax: 540-989-7519
<b>FRACTIONAL</b> $\pm 1/64$	CHECKED <b>WDS</b>	7/22/2010	<b>TITLE</b> CONNECTOR, FEMALE, 9 PIN 932	
<b>DECIMAL</b> .00 $\pm .01$ [.25mm] .000 $\pm .005$ [.127mm]	PROJ ENGR <b>GSOX</b>	10/27/99	<b>SCALE</b> NOTED	
<b>ANGULAR</b> $\pm .5^\circ$	APPROVED <i>[Signature]</i>	7/22/2010	<b>SIZE</b> DWG <b>B</b> 38314-50	
		PROJECT 7117	FSCM	<b>REV</b> A <b>SHT</b> 1 OF 1

D  
C  
B  
A