

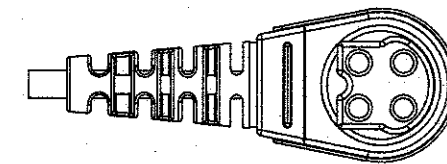
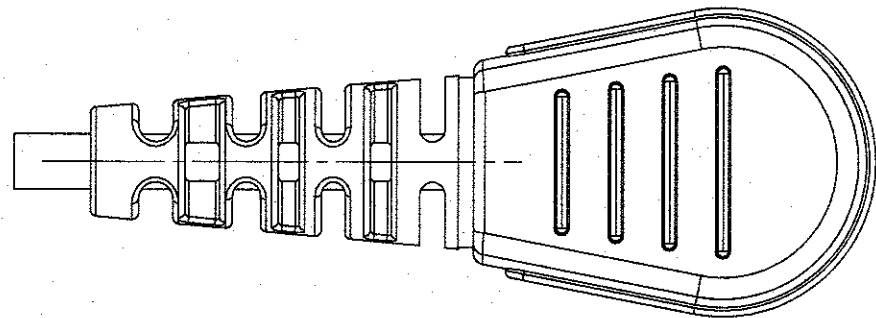
4

3

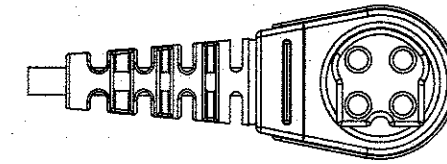
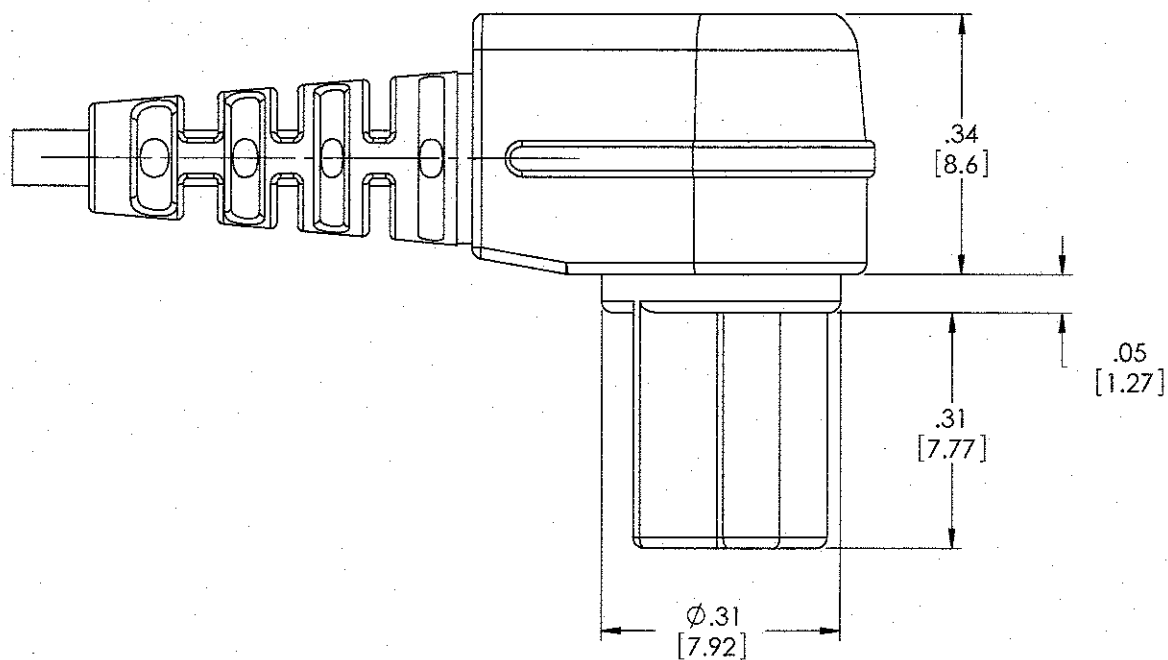
2

1

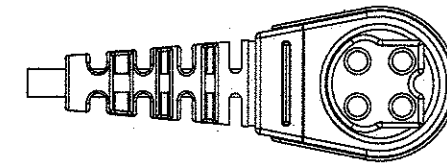
SCALE: 2:1



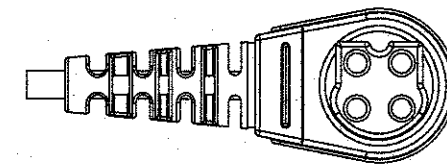
55A CONNECTOR



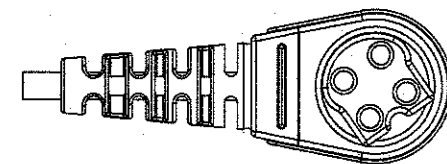
55B CONNECTOR



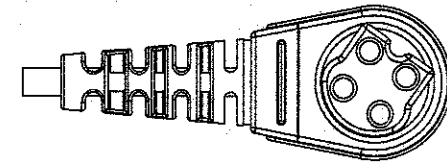
55C CONNECTOR



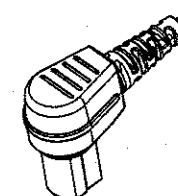
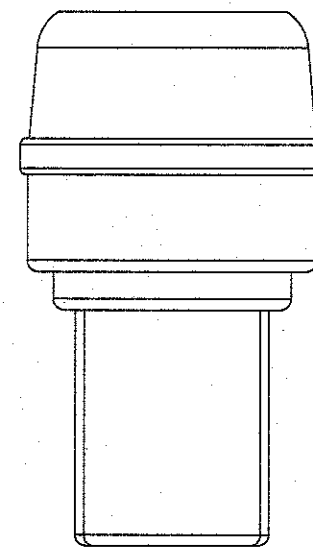
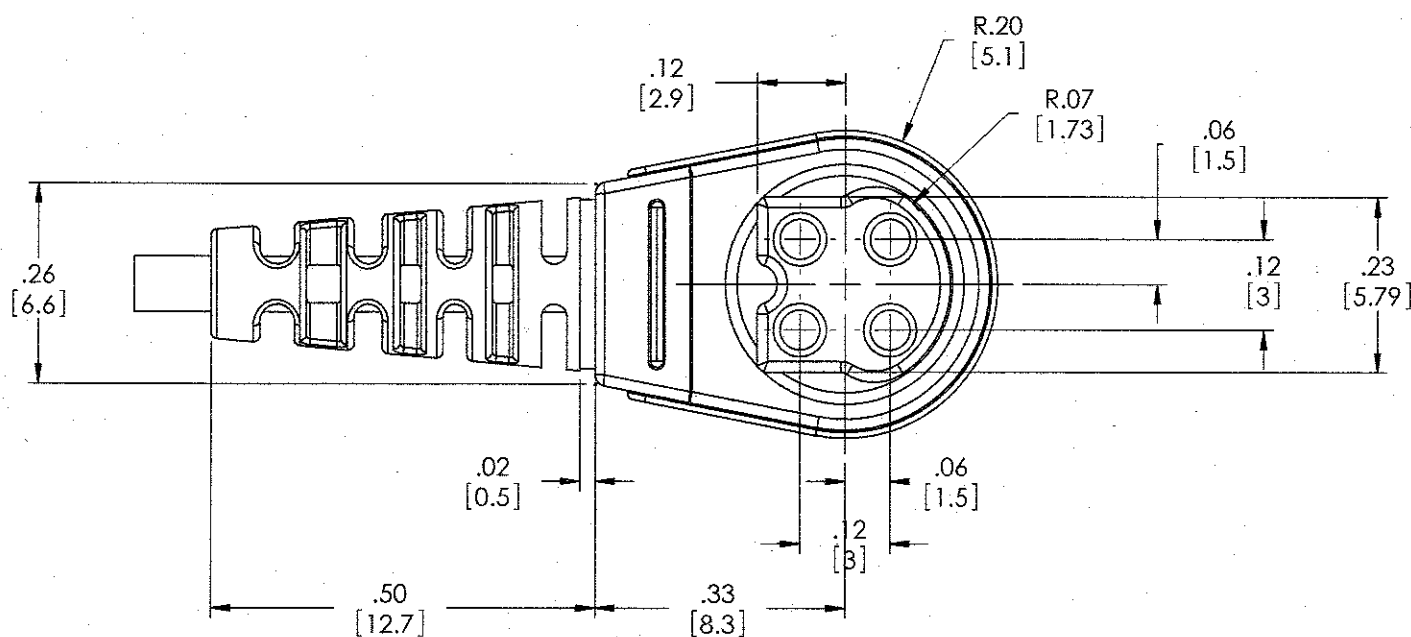
55D CONNECTOR



55E CONNECTOR



55F CONNECTOR



SCALE: FULL

THIS DRAWING CONTAINS CONFIDENTIAL AND PROPRIETARY INFORMATION AND MAY NOT BE ISSUED OR REPRODUCED, IN WHOLE, OR IN PART, WITHOUT THE EXPRESS WRITTEN PERMISSION OF P1 TECHNOLOGIES.

| REV. | DESCRIPTION | APPROVAL DATE | APPROVED BY |
|------|--|---------------|-------------|
| C | REV PER ECO 22214 XZ 4/16/14 | 4/23/14 | TAB |
| B | REDRAW IN SOLID WORKS PER ECO 8955 GSOX 10/28/00 | 11/30/05 | GS |
| A | REL PER ECO 4845 SJ 3/8/00 | 3/15/00 | SJ |

| TOLERANCES UNLESS OTHERWISE SPECIFIED ALL DIMENSIONS IN INCHES DIMENSIONS IN [] METRIC | | APPROVALS | DATE | Technologies <small>BECAUSE EVERYTHING CONNECTS</small> 6591 Merriman Road, Roanoke, VA 24018 Phone: 540-772-7950 Fax: 540-989-7519 |
|--|--|--------------------------------|---------------|---|
| FRACTIONAL ±1/64 | DECIMAL .00 ±.01 [.25mm] .000 ±.005 [.127mm] | DRAWN SJAMISON | 11/22/99 | |
| ANGULAR ±.5° | | CHECKED <i>[Signature]</i> | 7/6/2020 | |
| | | PROJ ENGR | | |
| | | APPROVED <i>[Signature]</i> | 7/10/2020 | |
| | | PROJECT 7132-01 | FSCM | |
| TITLE CONNECTOR, 55A, 55B, 55C, 55D, 55E, 55F, 4 PIN, 1MM | | | | |
| SCALE: 4:1 & NOTED | | | | |
| SIZE B | DWG 38322-50 | REV C | SHT 1 OF 1 | |

D
C
B
A