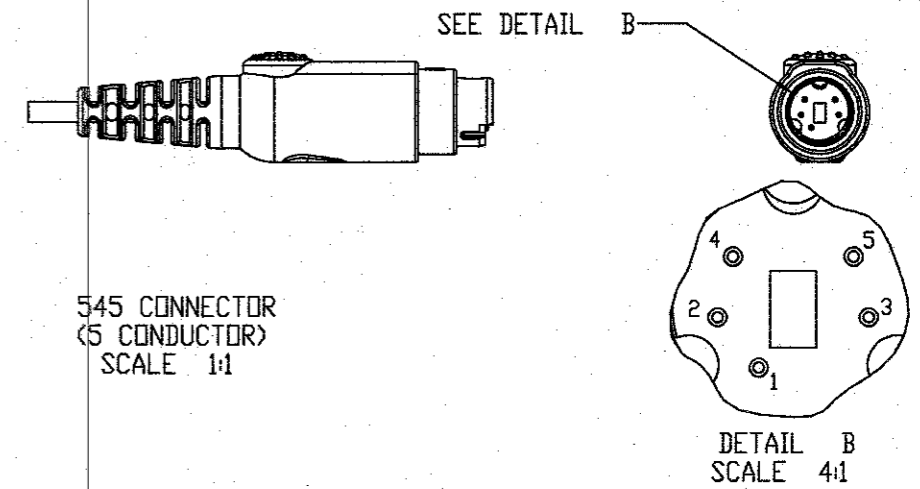


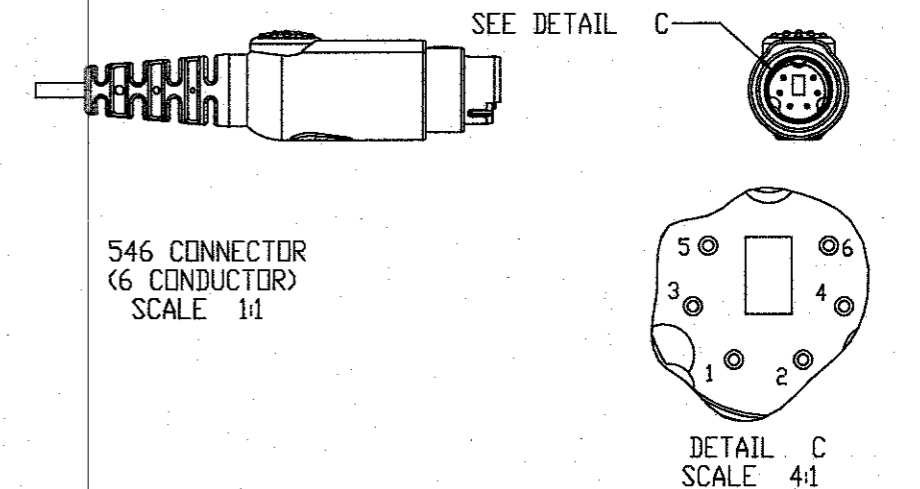
DETAIL A  
SCALE 4:1

524 CONNECTOR  
(4 CONDUCTOR)  
SCALE: 2/1



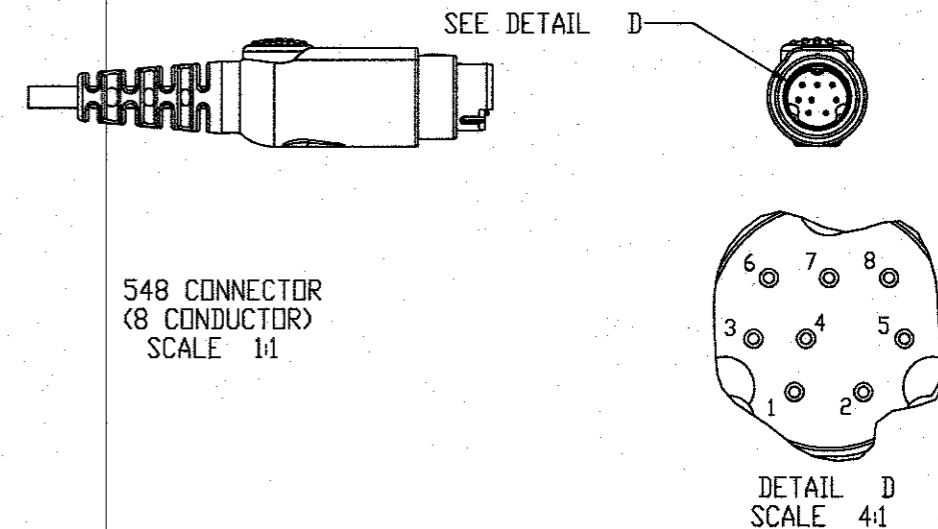
545 CONNECTOR  
(5 CONDUCTOR)  
SCALE 1:1

DETAIL B  
SCALE 4:1



546 CONNECTOR  
(6 CONDUCTOR)  
SCALE 1:1

DETAIL C  
SCALE 4:1



548 CONNECTOR  
(8 CONDUCTOR)  
SCALE 1:1

DETAIL D  
SCALE 4:1

THIS DRAWING CONTAINS CONFIDENTIAL AND PROPRIETARY INFORMATION AND MAY NOT BE ISSUED OR REPRODUCED, IN WHOLE, OR IN PART, WITHOUT THE EXPRESS WRITTEN PERMISSION OF P1 TECHNOLOGIES.

REV.	DESCRIPTION	APPROVAL DATE	APPROVED BY
C	REV PER ECO 39261 XZ 7/7/22	8/15/22	JLR
B	REV PER ECO 7672 JS 2/11/04	2/19/04	JS
A	REL PER ECO 5741 /BB 6/22/01	6/25/01	BB

TOLERANCES UNLESS OTHERWISE SPECIFIED ALL DIMENSIONS IN INCHES DIMENSIONS IN [ ] METRIC		APPROVALS	DATE	 BECAUSE EVERYTHING CONNECTS 6591 Merriman Road, Roanoke, VA 24018 Phone: 540-772-7950 Fax: 540-989-7519
FRACTIONAL ±1/64	DECIMAL .00 ±.005 [.127mm] .000 ±.001 [.025mm] .0000 ±.0005 [.0127mm]	DRAWN BRRINDLE	6/21/01	
ANGULAR ±.5°		CHECKED MAB	7/13/22	
		PROJ ENGR		
		APPROVED <i>J. Renoh</i>	7/14/22	
		PROJECT 7052-01	FSCM	
TITLE CONNECTOR, MINI DIN 524, 545, 546 & 548		SCALE 2/1		
SIZE B	DWG 38528-50	REV C	SHT 1 OF 1	