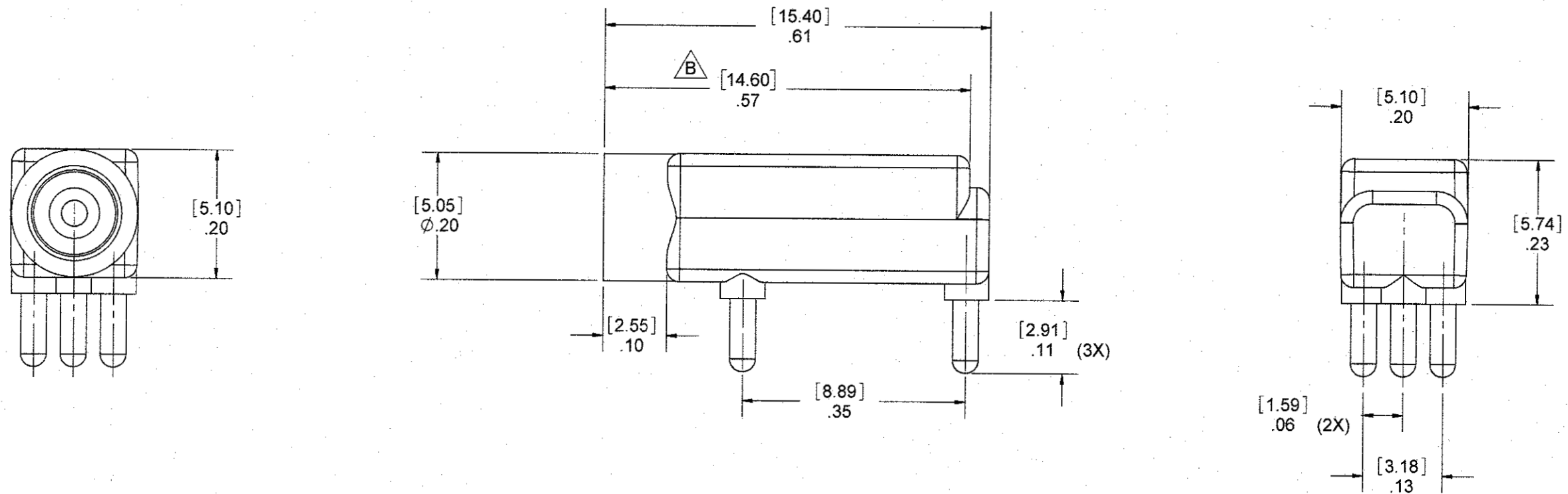


4

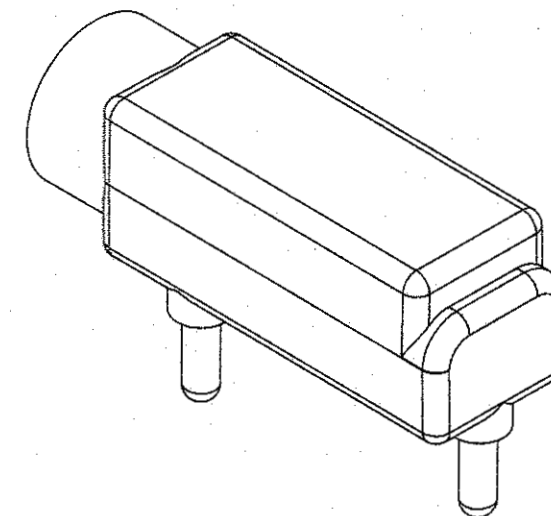
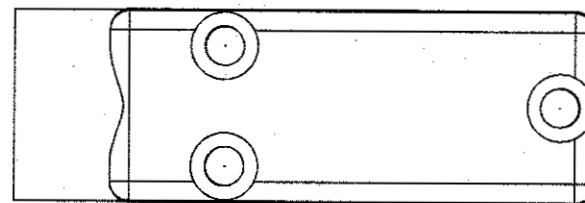
3

2

1



- △ NOTES:**
- MATERIAL: PBT
OTHER MATERIALS AVAILABLE
 - SIGNAL CONTACT PLATING: SOFT NICKEL, THEN SOFT GOLD
 - PIN SETBACK: 0.26" (6.6mm)
EN 60601 TOUCHPROOF
 - GENERAL PERFORMANCE (CONTACT P1T FOR TEST CONDITIONS)
EXTRACTION FORCE: 2.0 LBS MINIMUM (8.9 N)
LIFE CYCLE: 1000+ INSERTION CYCLES
HIPOT: 1000 VAC between contacts
5000 VDC TO ANY EXPOSED METAL COMPONENTS
MAX. CURRENT: 8 AMPS
 - OPERATING TEMPERATURE: +5° C to + 60° C
 - UL94 V-0/5V
 - WAVE SOLDERABLE
 - MATES WITH 284



THIS DRAWING CONTAINS CONFIDENTIAL AND PROPRIETARY INFORMATION AND MAY NOT BE ISSUED OR REPRODUCED, IN WHOLE, OR IN PART, WITHOUT THE EXPRESS WRITTEN PERMISSION OF P1 TECHNOLOGIES.

REV	DESCRIPTION	DATE	BY
B	REV PER ECO 31713 WDS 6/20/18	6/27/18	SLH
A	RELEASE PER ECO 18573 TAS 8/22/12	8/27/12	TAS
REVISIONS			

TOLERANCES UNLESS OTHERWISE SPECIFIED ALL DIMENSIONS IN INCHES DIMENSIONS IN [] METRIC		APPROVALS	DATE
FRACTIONAL ±1/64	DECIMAL .00 ±.01 [.25mm] .000 ±.005 [.127mm]	DRAWN T. STUMP	8/22/12
ANGULAR ±5°		CHECKED <i>T. Stump</i>	7/15/20
		PROJ ENGR	
		APPROVED <i>K. Spudy</i>	7/16/2020
		PROJECT 7487	FSCM

P Technologies <small>BECAUSE EVERYTHING CONNECTS</small>	
6591 Merriman Road, Roanoke, VA 24018 Phone: 540-772-7950 Fax: 540-989-7519	
TITLE JACK, 1mm RIGHT ANGLE PCB	
SCALE	5:1
SIZE	DWG
B	39727-50
REV	B
SHT	1 OF 1