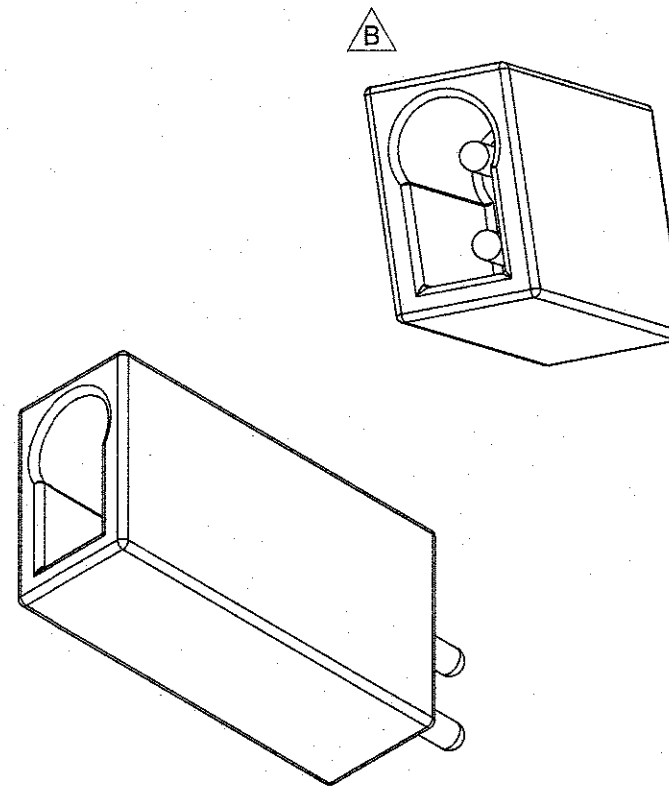
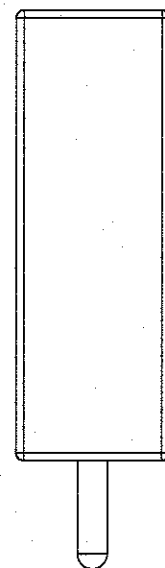
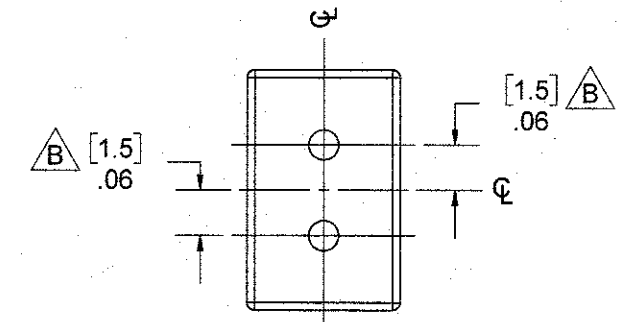
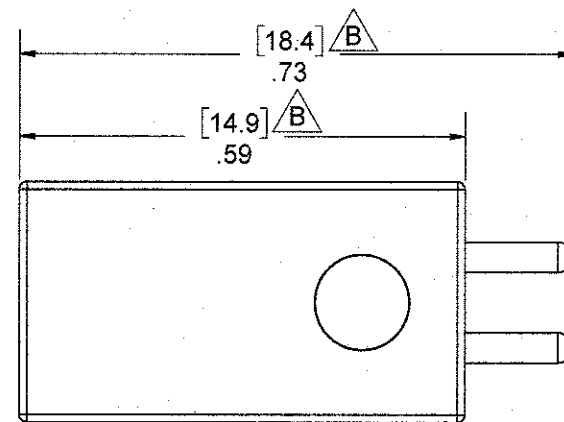
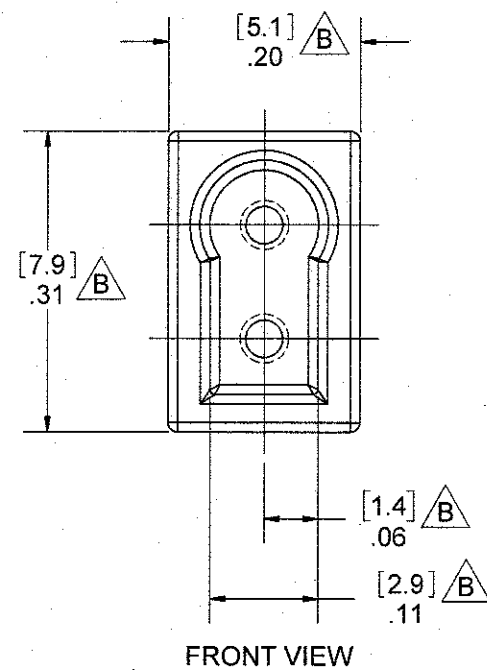


4

3

2

1



- NOTES:**
- MATERIAL: PBT  
OTHER MATERIALS AVAILABLE
  - SIGNAL CONTACT PLATING: SOFT NICKEL, THEN SOFT GOLD
  - PIN SETBACK: 0.10" [2.5MM]  
EN 60601 TOUCHPROOF
  - GENERAL PERFORMANCE (CONTACT PIT FOR TEST CONDITIONS)  
EXTRACTION FORCE: 1.2 LBS AVERAGE (5.3N)  
LIFE CYCLE: 1000+ INSERTION CYCLES  
HIPOT: 1000 VAC BETWEEN CONTACTS  
MAX CURRENT: 8 AMPS
  - OPERATING TEMPERATURE: +5° C TO +60° C
  - UL94 V-0/5V
  - WAVE SOLDERABLE

THIS DRAWING CONTAINS CONFIDENTIAL AND PROPRIETARY INFORMATION AND MAY NOT BE ISSUED OR REPRODUCED, IN WHOLE, OR IN PART, WITHOUT THE EXPRESS WRITTEN PERMISSION OF P1 TECHNOLOGIES.

REV	DESCRIPTION	DATE	BY
B	REV PER ECO 27895 TAS 10/6/11	10/18/16	SLH
A	RELEASE PER ECO 15886 XZ 6/16/11	6/23/11	XZ
REVISIONS			

TOLERANCES UNLESS OTHERWISE SPECIFIED ALL DIMENSIONS IN INCHES DIMENSIONS IN [ ] METRIC		APPROVALS	DATE	<p>BECAUSE EVERYTHING CONNECTS</p> <p>6591 Merriman Road, Roanoke, VA 24018 Phone: 540-772-7950 Fax: 540-989-7519</p>
FRACTIONAL ±1/64	DECIMAL .00 ±.01 [.25mm] .000 ±.005 [.127mm]	DRAWN X ZHOU	6/17/11	
	ANGULAR ±.5°	CHECKED T. Shump	7/15/20	
		PROJ ENGR		
		APPROVED K. Sperry	7/16/2020	TITLE JACK, STRAIGHT, PCB, 1mm
		PROJECT	FSCM	SCALE 5:1
SIZE B	DWG 39899-50	REV B	SHT OF 1	