

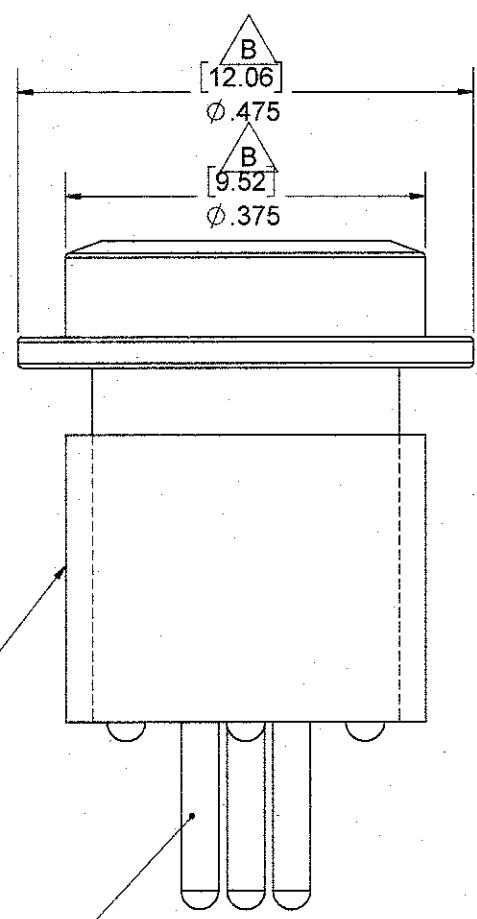
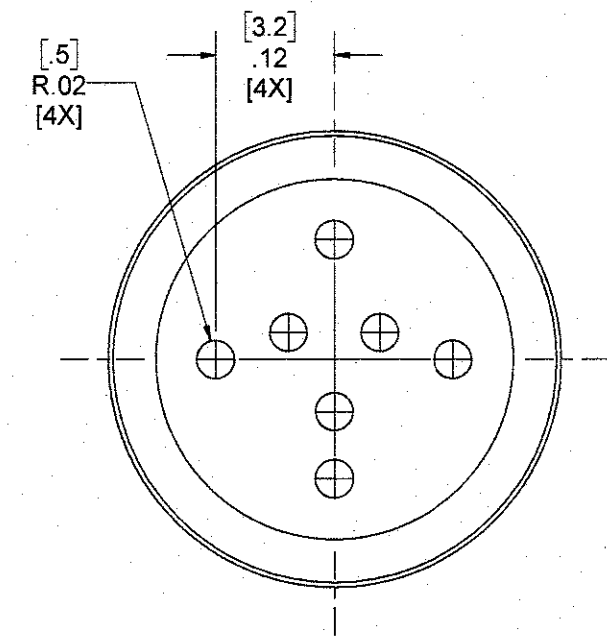
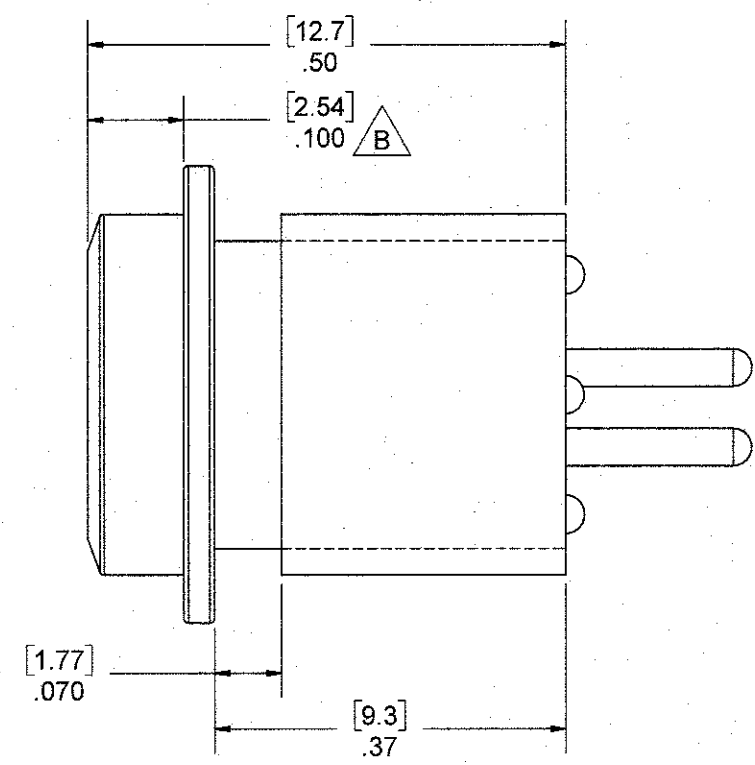
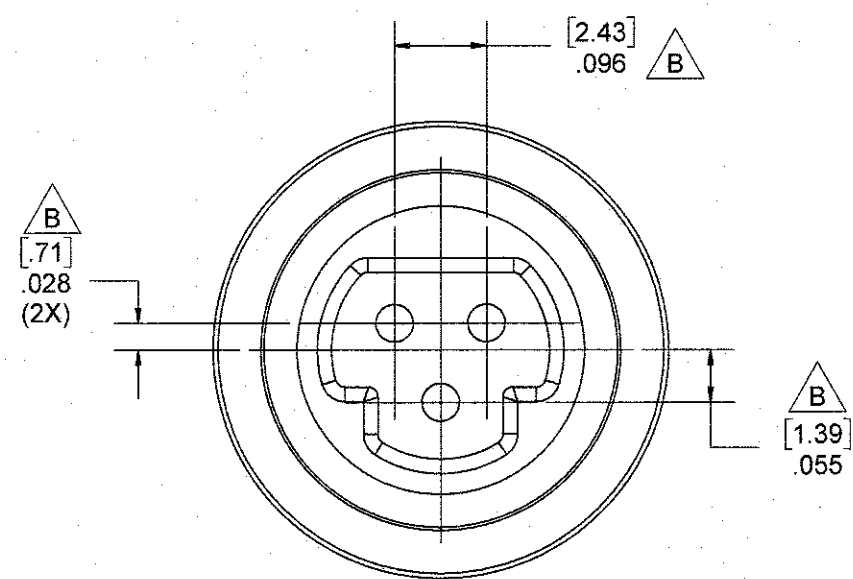
4

3

2

1

D  
C  
B  
A



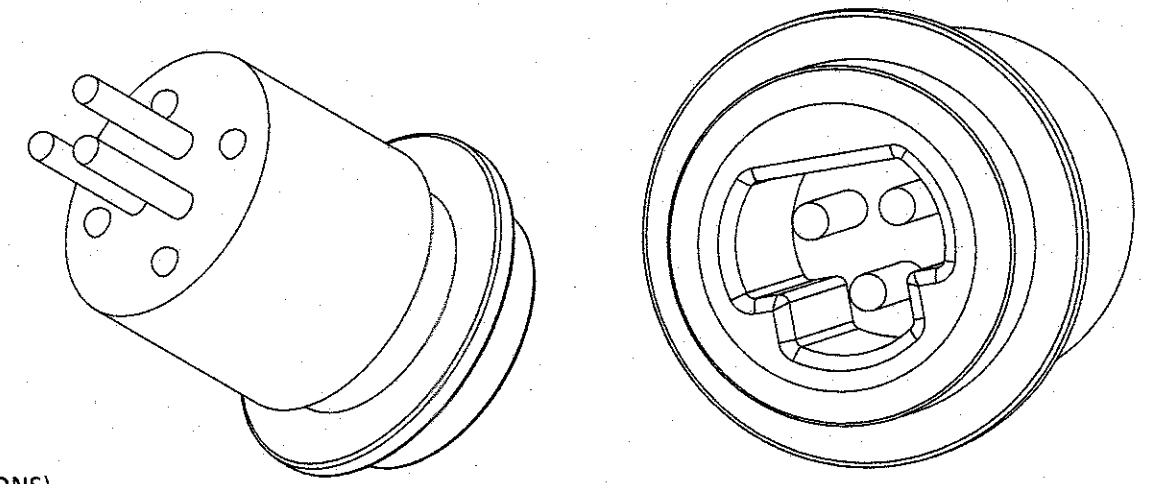
3/8-24 THREAD.

38252 PIN (3X)



NOTES:

1. MATERIAL: PBT  
OTHER MATERIALS AVAILABLE
2. SIGNAL CONTACT PLATING: SOFT NICKEL, THEN SOFT GOLD
3. PIN SETBACK: 0.07" [1.8MM]  
EN 60601 TOUCHPROOF
4. GENERAL PERFORMANCE (CONTACT P1T FOR TEST CONDITIONS)  
EXTRACTION FORCE: .89 LBS AVERAGE (4 N)  
LIFE CYCLE: 1000+ INSERTION CYCLES  
HIPOT: 1000 VAC between contacts  
MAX. CURRENT: 8 AMPS
5. OPERATING TEMPERATURE: +5° C to + 60° C
6. UL94 V-0/5V
7. WAVE SOLDERABLE
8. MATES WITH 44-SERIES & 444 PLUGS



REV	DESCRIPTION	DATE	BY
B	REV PER ECO 28666 XZ 2/17/17	3/28/17	SLH
A	REL PER ECO 15695 XZ 5/18/11	6/8/11	MKK
REVISIONS			

TOLERANCES UNLESS OTHERWISE SPECIFIED ALL DIMENSIONS IN INCHES DIMENSIONS IN [ ] METRIC		APPROVALS	DATE
FRACTIONAL ±1/64	DECIMAL .00 ±.01 [.25mm] .000 ±.005 [.127mm]	DRAWN XZHOU	5/18/11
ANGULAR ±.5°		CHECKED <i>T. Stump</i>	7/15/20
		PROJ ENGR	
		APPROVED <i>R. Stump</i>	7/16/2020
		PROJECT 7694	FSCM

**P Technologies**  
BECAUSE EVERYTHING CONNECTS

6591 Merriman Road, Roanoke, VA 24018  
Phone: 540-772-7950 Fax: 540-989-7519

TITLE JACK, 3 PIN, PANEL MOUNT, THREADED.

SCALE 5/1

SIZE <b>B</b>	DWG 41091-50	REV B	SHT OF 1
------------------	-----------------	----------	-------------

THIS DRAWING CONTAINS CONFIDENTIAL AND PROPRIETARY INFORMATION AND MAY NOT BE ISSUED OR REPRODUCED, IN WHOLE, OR IN PART, WITHOUT THE EXPRESS WRITTEN PERMISSION OF P1 TECHNOLOGIES.