

4

1

3

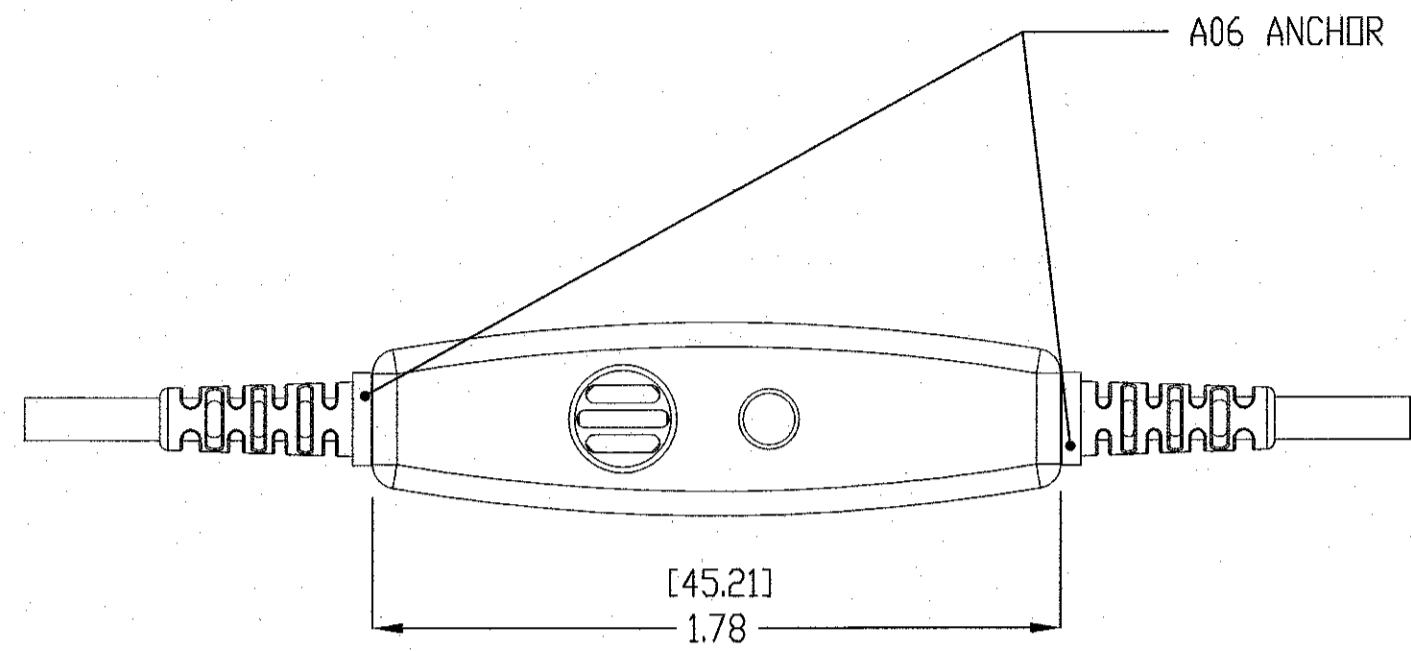
1

2

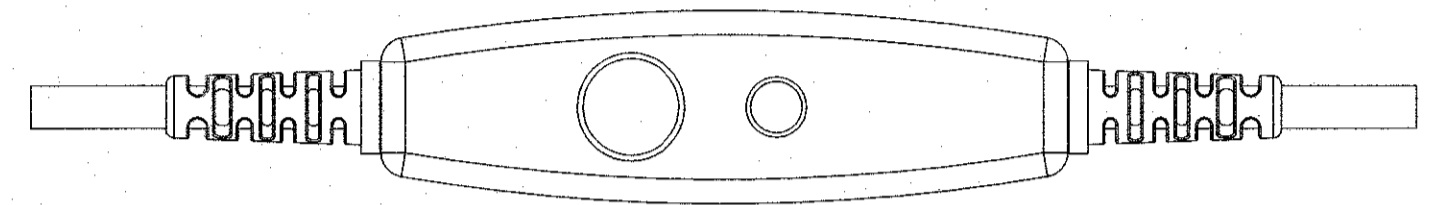
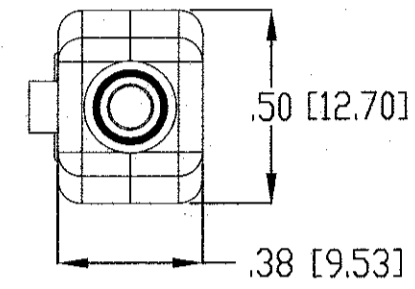
1

1

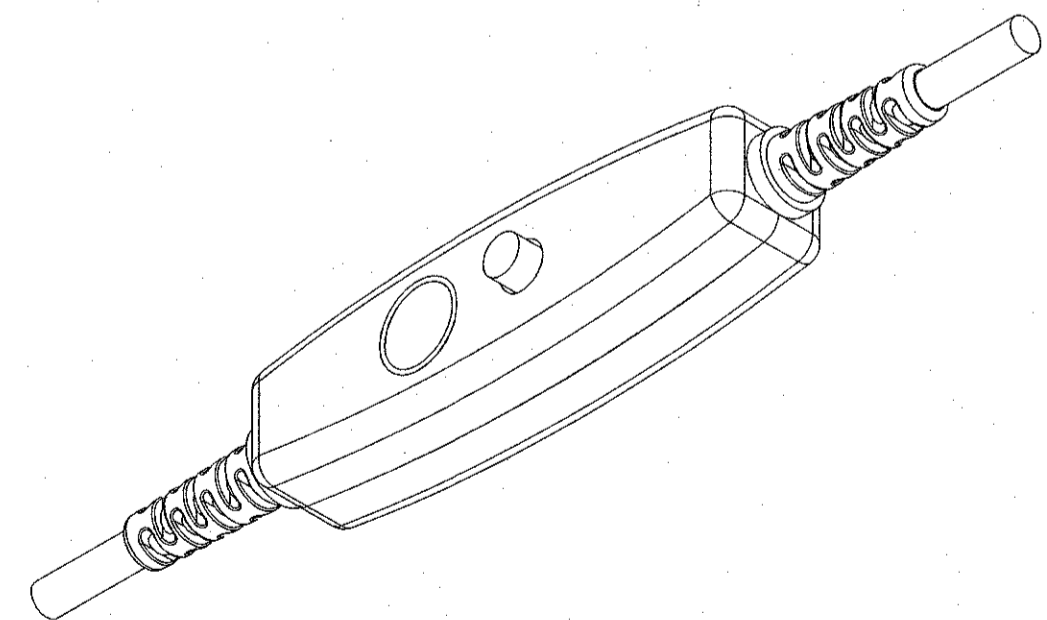
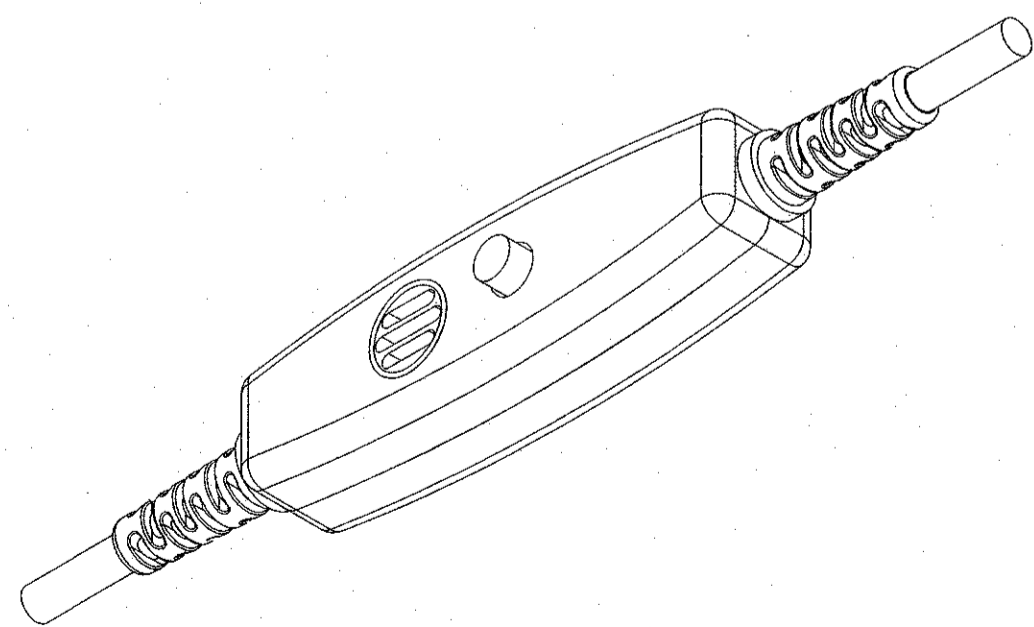
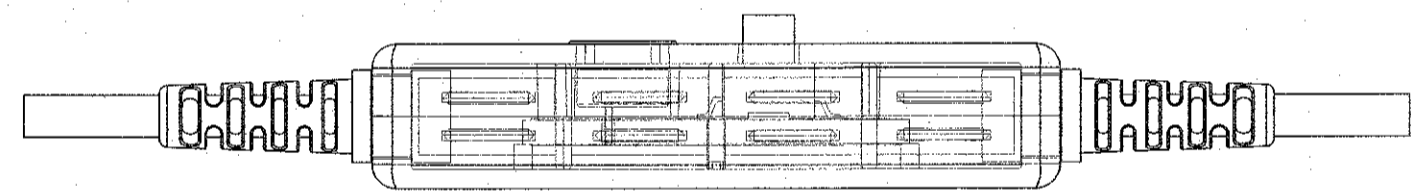
REVISIONS			
REV	DESCRIPTION	APPROVAL DATE	APPROVED BY
A	REL PER ECD 24113 XZ 2/19/15	3/5/15	TAB



OPTION -01 J11  
(MICROPHONE)



OPTION -02 J12  
(NO MICROPHONE)



THIS DRAWING CONTAINS CONFIDENTIAL AND PROPRIETARY INFORMATION AND MAY NOT BE ISSUED OR REPRODUCED, IN WHOLE, OR IN PART, WITHOUT THE EXPRESS WRITTEN PERMISSION OF P1 TECHNOLOGIES.

<b>TOLERANCES</b> UNLESS OTHERWISE SPECIFIED ALL DIMENSIONS IN INCHES DIMENSIONS IN [ ] METRIC	<b>APPROVALS</b> DRAWN XZHOU	<b>DATE</b> 2/19/15	<b>Technologies</b> <small>BECAUSE EVERYTHING CONNECTS</small> 6591 Merriman Road, Roanoke, VA 24018 Phone: 540-772-7950 Fax: 540-989-7519
	CHECKED <i>T. Damp</i>	7/14/20	
	PROJECT ENGR		
	<b>APPROVED</b> <i>K. Spady</i>	7/16/2020	
<b>FRACTIONAL</b> $\pm 1/64$	PROJECT 1708	PSCM	<b>TITLE</b> ASSEM., MICROPHONE/SWITCH POD, J11/J12
<b>DECIMAL</b> .00 $\pm 0.01$ [.25mm] .000 $\pm 0.005$ [.127mm]	PROJECT 1708	PSCM	<b>SCALE</b> 2/1
<b>ANGULAR</b> $\pm .5^\circ$	PROJECT 1708	PSCM	<b>SIZE</b> C <b>DWG</b> 41235-50 <b>REV</b> A <b>SHT</b> OF