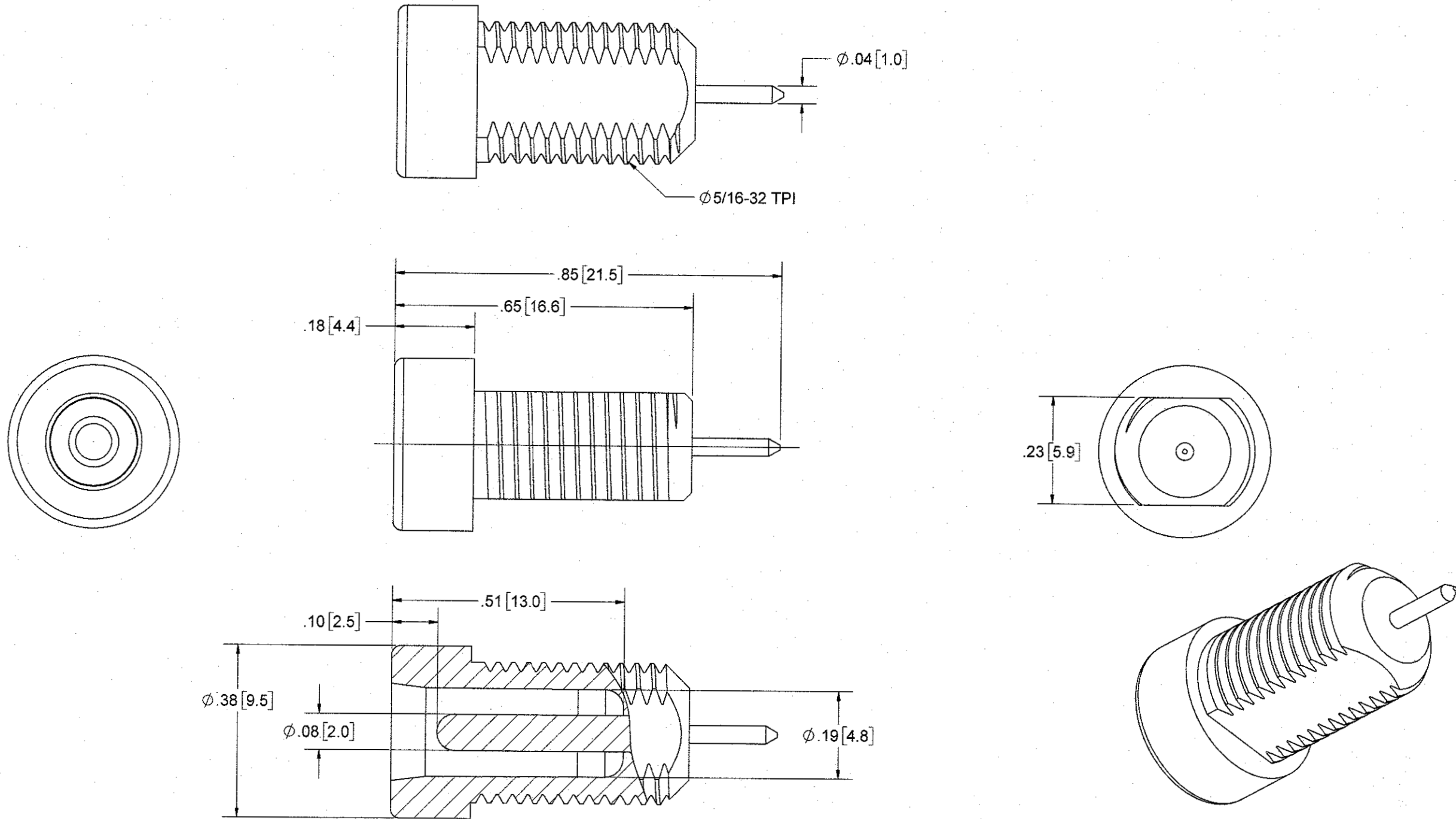


4

3

2

1



THIS DRAWING CONTAINS CONFIDENTIAL AND PROPRIETARY INFORMATION AND MAY NOT BE ISSUED OR REPRODUCED, IN WHOLE, OR IN PART, WITHOUT THE EXPRESS WRITTEN PERMISSION OF P1 TECHNOLOGIES.

REV	DESCRIPTION	DATE	BY
A	RELEASE PER ECO 17027 TAS 01/03/12	1/10/12	TAS
REVISIONS			

TOLERANCES UNLESS OTHERWISE SPECIFIED ALL DIMENSIONS IN INCHES DIMENSIONS IN [] METRIC		APPROVALS DRAWN T. STUMP	DATE 01/03/12	P Technologies <small>BECAUSE EVERYTHING CONNECTS</small> 6591 Merriman Road, Roanoke, VA 24018 Phone: 540-772-7950 Fax: 540-989-7519
FRACTIONAL $\pm 1/64$		CHECKED <i>T. Stump</i>	7/14/20	
DECIMAL $.00 \pm .01$ [.25mm] $.000 \pm .005$ [.127mm]		PROJ ENGR		
ANGULAR $\pm .5^\circ$		APPROVED <i>R. Eppley</i>	7/16/2020	
		PROJECT	FSCM	TITLE JACK, PANEL MOUNT, $\phi 2.0$ mm
		SCALE 5:1		SIZE B
		DWG 41284-50	REV A	SHT 1 OF 1

D

C

B

A