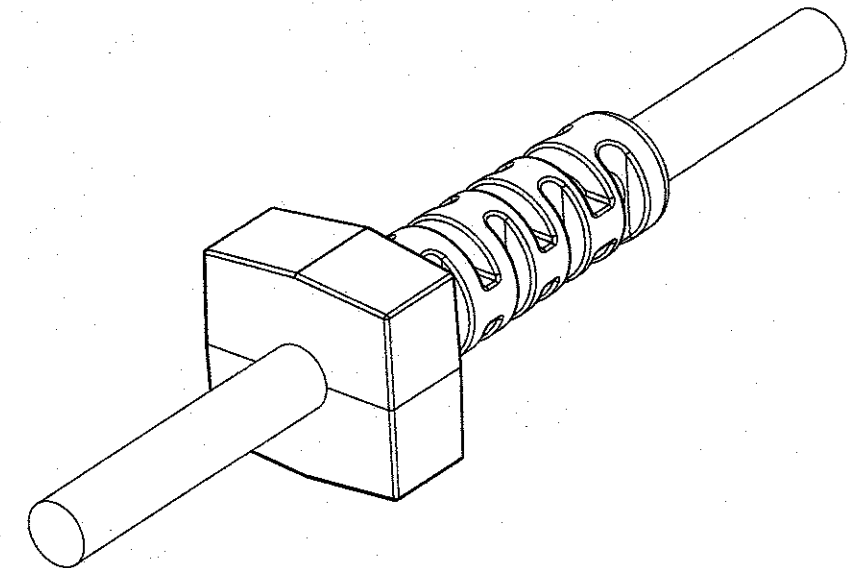
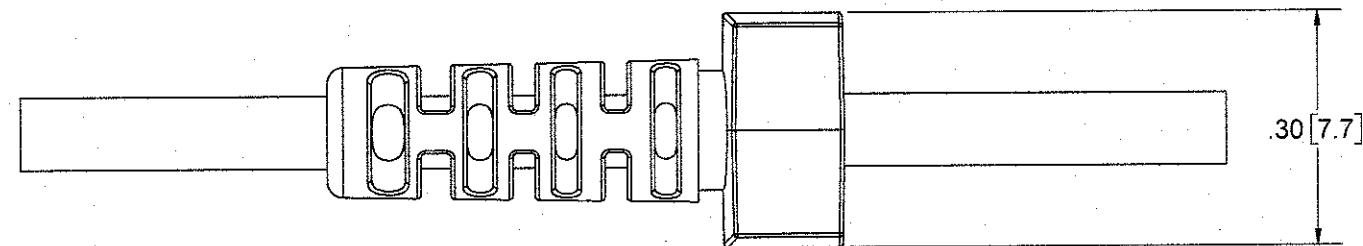
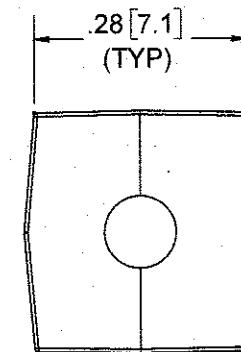
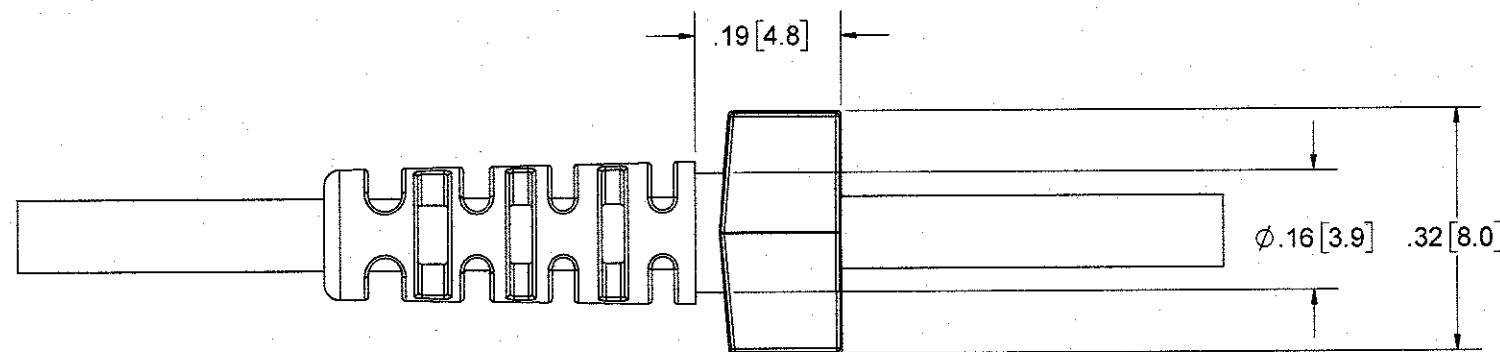


4

3

2

1



THIS DRAWING CONTAINS CONFIDENTIAL AND PROPRIETARY INFORMATION AND MAY NOT BE ISSUED OR REPRODUCED, IN WHOLE, OR IN PART, WITHOUT THE EXPRESS WRITTEN PERMISSION OF P1 TECHNOLOGIES.

REV	DESCRIPTION	DATE	BY
A	RELEASE PER ECO 22907 TAS 8/6/14	8/21/14	BLR
REVISIONS			

<b>TOLERANCES</b> UNLESS OTHERWISE SPECIFIED ALL DIMENSIONS IN INCHES DIMENSIONS IN [ ] METRIC		<b>APPROVALS</b> DRAWN T. STUMP	<b>DATE</b> 8/6/14
<b>FRACTIONAL</b> $\pm 1/64$		CHECKED <i>T. Stump</i>	7/14/20
<b>DECIMAL</b> .00 $\pm$ .01 [.25mm] .000 $\pm$ .005 [.127mm]		PROJ ENGR	TITLE ANCHOR, A04
<b>ANGULAR</b> $\pm 5^\circ$		APPROVED <i>[Signature]</i>	SCALE 4:1
		PROJECT #SCM	SIZE <b>B</b>
			DWG 41323-50
			REV A
			SHT 1 OF 1

**P Technologies**  
 BECAUSE EVERYTHING CONNECTS

6591 Merriman Road, Roanoke, VA 24018  
 Phone: 540-772-7950 Fax: 540-989-7519

D  
C  
B  
A