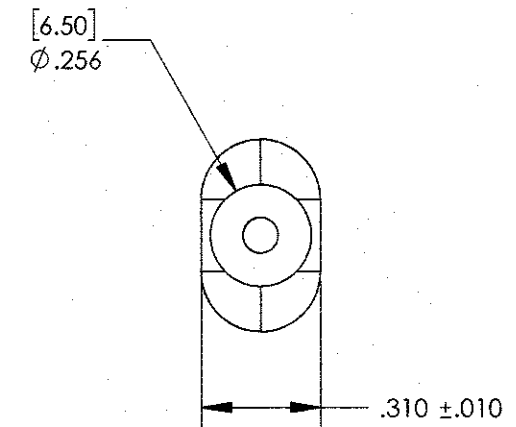
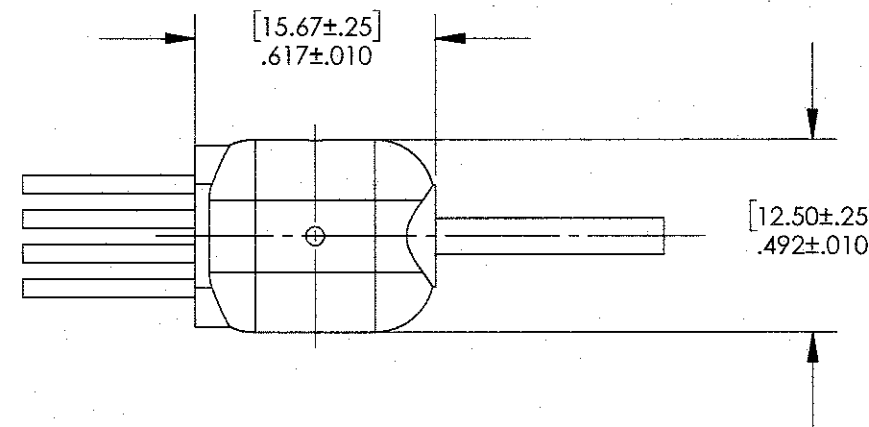
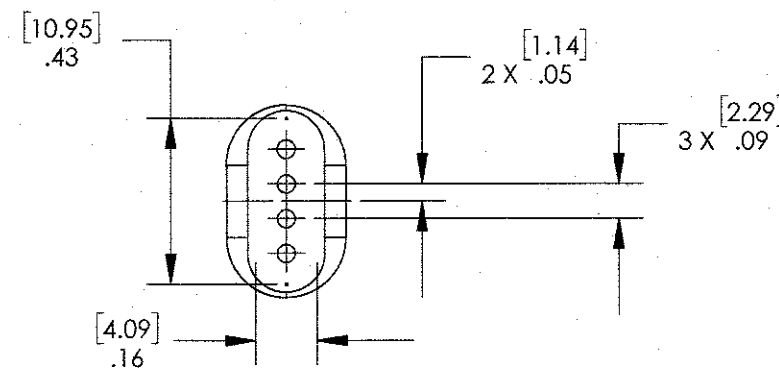
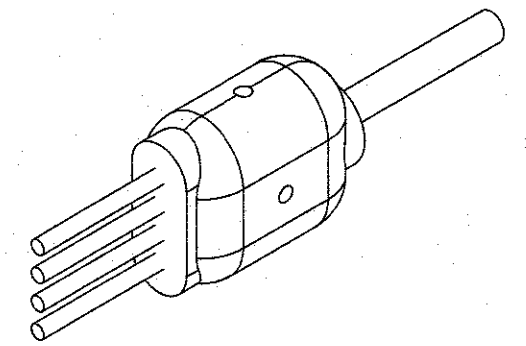
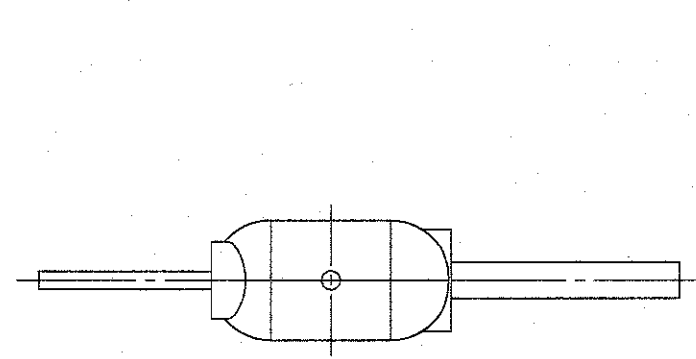


4

3


2

1



THIS DRAWING CONTAINS CONFIDENTIAL AND PROPRIETARY INFORMATION AND MAY NOT BE ISSUED OR REPRODUCED, IN WHOLE, OR IN PART, WITHOUT THE EXPRESS WRITTEN PERMISSION OF P1 TECHNOLOGIES.

REV	DESCRIPTION	DATE	BY
A	RELEASE PER ECO 24113 XZ 2/19/15	3/5/15	TAB
REVISIONS			

TOLERANCES UNLESS OTHERWISE SPECIFIED ALL DIMENSIONS IN INCHES DIMENSIONS IN [] METRIC		APPROVALS DRAWN XZHOU CHECKED <i>T. Stup</i> PROJ ENGR APPROVED <i>R. Spauldy</i> PROJ 7755	DATE 2/19/15 7/15/20 7/16/2020 FSCM	 Technologies <small>BECAUSE EVERYTHING CONNECTS</small> 6591 Merriman Road, Roanoke, VA 24018 Phone: 540-772-7950 Fax: 540-989-7519
FRACTIONAL ±1/64 DECIMAL .00 ±.01 [.25mm] .000 ±.005 [.127mm]		TITLE BIFURCATION, Y16, 4-LEAD		
ANGULAR ±.5°		TOOLING MOLD CLASS SCALE 2:1	SIZE DWG B 41535-50	
		REV A	SHT 1 OF 1	

D
C
B
A