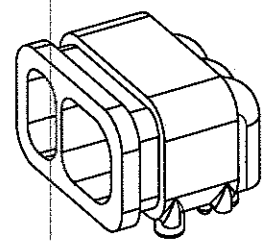
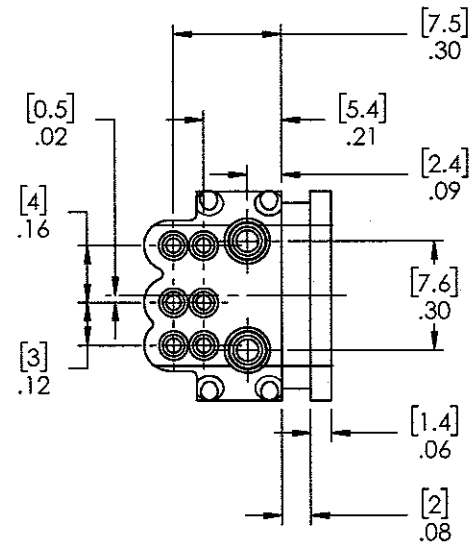
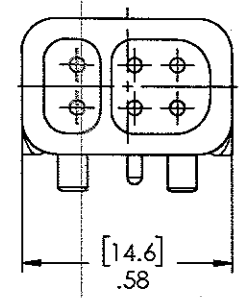
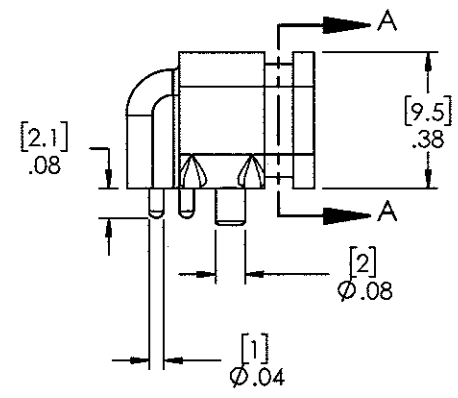


SECTION A-A
SCALE 2:1



NOTES:

1. MATERIAL: PBT
OTHER MATERIALS AVAILABLE
2. SIGNAL CONTACT PLATING: SOFT NICKEL, THEN SOFT GOLD
3. PIN SETBACK: 0.14" [3.5mm] [EN 60601 TouchProof]
4. GENERAL PERFORMANCE (CONTACT P1T FOR TEST CONDITIONS)
EXTRACTION FORCE: 2-5 lbs
Life Cycle: 1000+ insertions
HIPOT: 1000 VAC
MAX. CURRENT: 8 A
5. OPERATING TEMPERATURE: +5° C to + 60° C
6. UL94 V-0/5V
7. WAVE SOLDERABLE

F	REV PER ECO 39278 MAB 7/12/22	8/12/22	JLR
E	REV PER ECO 33675, JLR, 3/26/19	4/04/19	MWR
D	Revise per ECO 24909 SLH 6-10-15	3/2/16	SLH
C	REV PER ECO 22488 /BB 06/04/14	6/10/14	SLH
B	REV PER ECO 21153 /BB 01/21/13	04/25/14	BB
A	REL PER ECO 20443 XZ 6/5/13	6/7/13	XZ
REV	DESCRIPTION	DATE	BY

TOLERANCES
UNLESS OTHERWISE SPECIFIED
ALL DIMENSIONS IN INCHES
DIMENSIONS IN [] METRIC

FRACTIONAL
±1/64

DECIMAL
.00 ±.01 [.25mm]
.000 ±.005 [.127mm]

ANGULAR
±.5°

APPROVALS	DATE
DRAWN XZHOU	6/5/13
CHECKED <i>J. Rehok</i>	7/22/22
PROJ ENGR	
APPROVED <i>J. Rehok</i>	7/22/22
PROJECT 7759	FSCM

Technologies
BECAUSE EVERYTHING CONNECTS
6591 Merriman Road, Roanoke, VA 24018
Phone: 540-772-7950 Fax: 540-989-7519

TITLE JACK, 6 POLE, RT ANGLE		SCALE 2:1	
SIZE A	DWG 41584-50	REV F	SHT 1 OF 1

THIS DRAWING CONTAINS CONFIDENTIAL AND PROPRIETARY INFORMATION AND MAY NOT BE ISSUED OR REPRODUCED, IN WHOLE, OR IN PART, WITHOUT THE EXPRESS WRITTEN PERMISSION OF P1 TECHNOLOGIES.